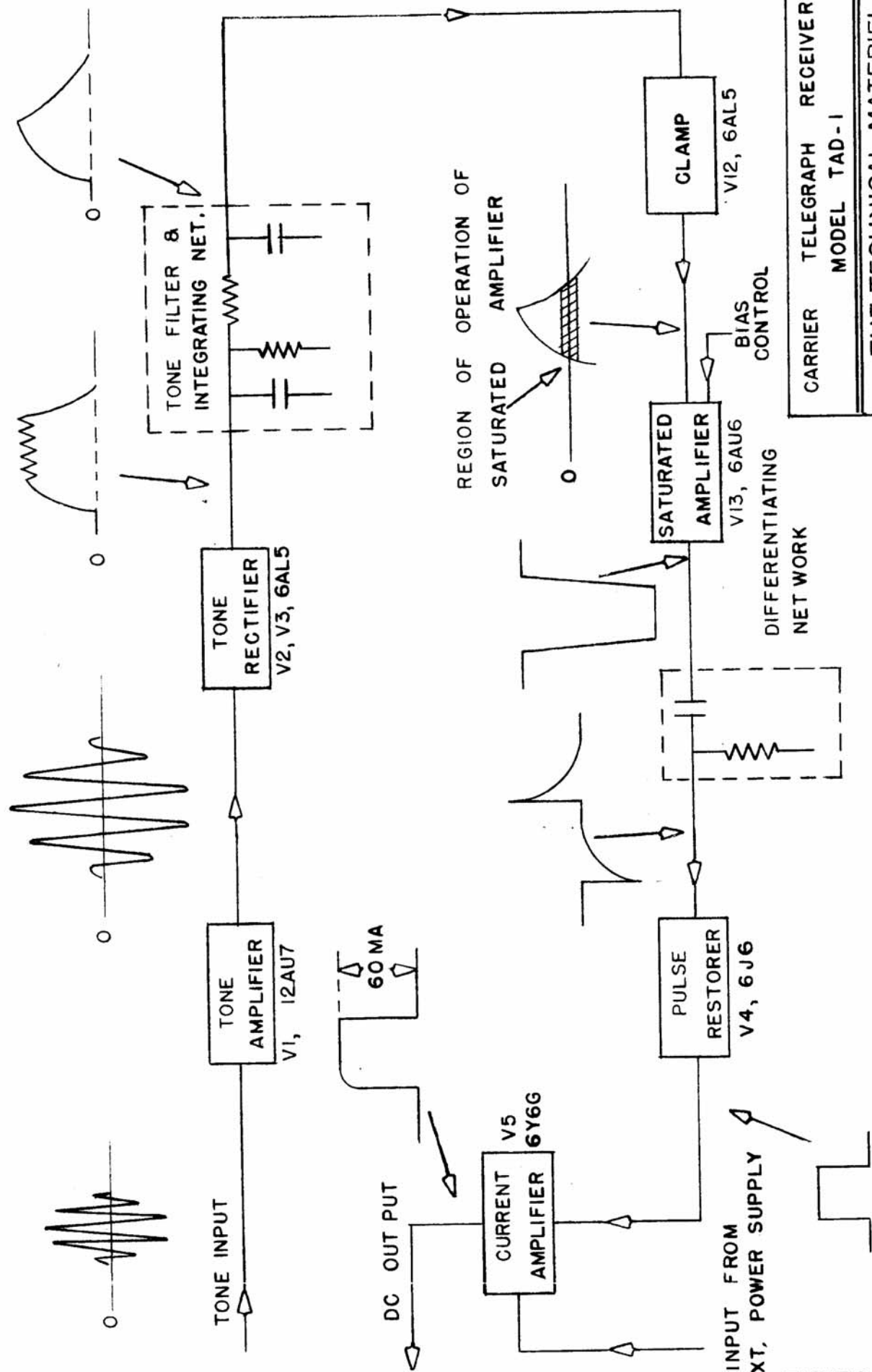


CK-200



REGION OF OPERATION OF SATURATED AMPLIFIER

INPUT FROM EXT. POWER SUPPLY

CARRIER TELEGRAPH RECEIVER MODEL TAD-1	
THE TECHNICAL MATERIEL CORPORATION MAMARONECK, NEW YORK	
DATE 2-19-51	CHECKD. <i>A.R.B.</i>
DRAWN <i>HRD</i>	APPR. <i>AM</i>
SHEET 1 OF 1	N.O. CK-200

WAS AEBD06
11/27/53

FIGURE 2-3 PAGE 2-II