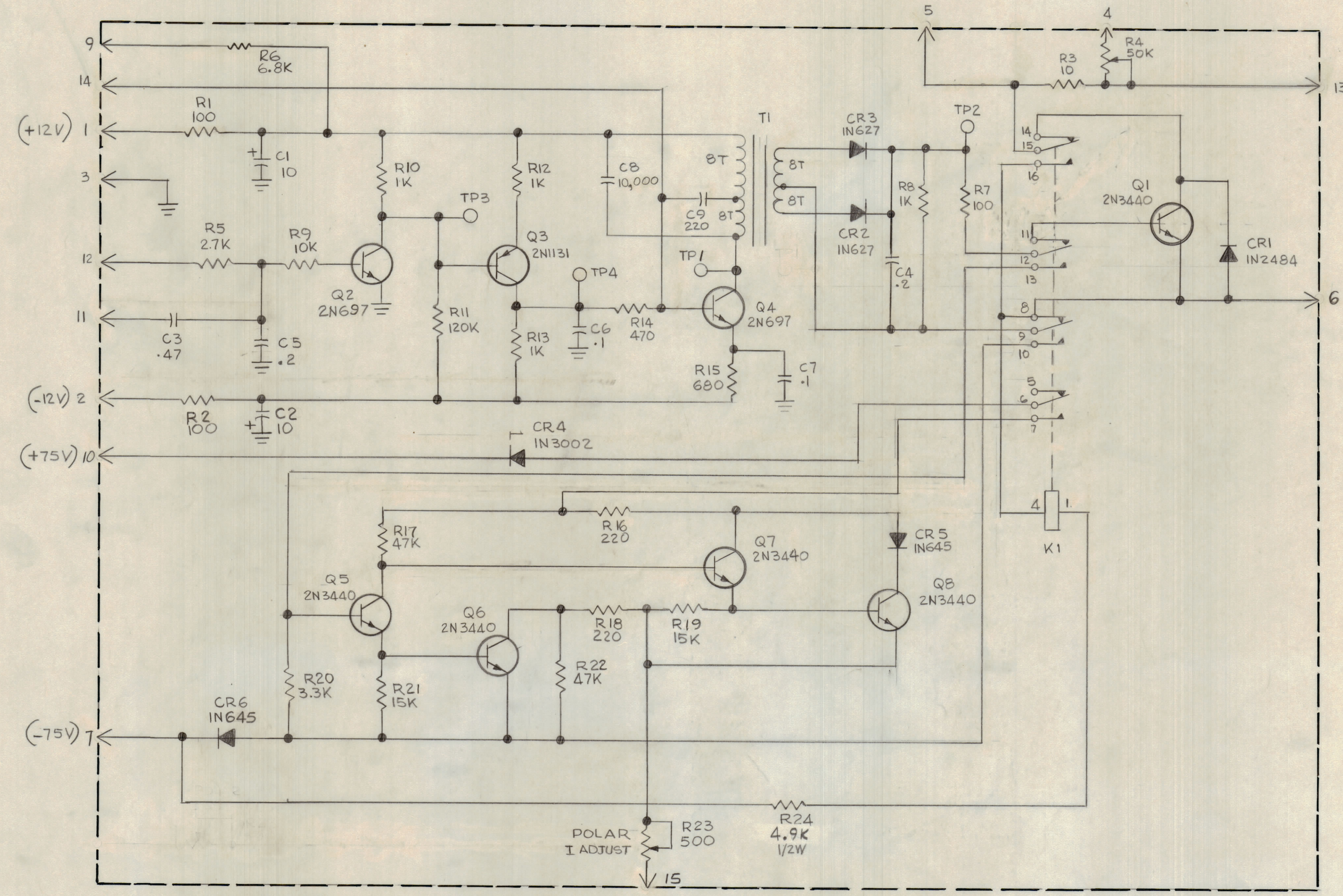


REVISIONS						
E.M.N.O.	DRAFT	CHKD	ZONE	LTR	DESCRIPTION	DATE
					SYMBOLS CLARIFIED	2-19-75
					ORIGINAL RELEASE FOR PRODUCTION	3/4/76



NOTES: UNLESS OTHERWISE SPECIFIED
 1- ALL RESISTANCE VALUES ARE IN OHMS, (1/2W)
 2- ALL DECIMAL CAPACITANCE VALUES ARE IN MICROFARADS
 3- ALL INDUCTANCE VALUES ARE IN MICROHENRIES.

LAST SYMBOL	MISSING SYMBOL
C9	
CR6	
K1	
Q8	
R24	
T1	
TP4	

200 SYMBOL SERIES

PCT28/A5619

QTY. REQ.	ITEM	PART NO.	DESCRIPTION	SYMBOL
LIST OF MATERIAL				
FINAL APPROVAL		DATE	THE TECHNICAL MATERIEL CORP. MAMARONECK, NEW YORK SCHEMATIC DIAGRAM OUTPUT CARD	
MECH. DES.		DATE		
ELECT. DES.		DATE		
CHECKED		DATE	SIZE CODE IDENT NO. DWG NO. ISSUE D 82679 CK2096	
DRAWN		DATE		
MATERIAL			SCALE	
FINISH			SHEET OF	

QTY / UNIT	MODEL USED ON	ASS'Y NO.
	KIT 403	A5619
APPLICATION		
CODE		
<small>NOTICE TO PERSONS RECEIVING THIS DRAWING</small> <small>THE TECHNICAL MATERIEL CORPORATION claims proprietary right in the material disclosed herein. This drawing is issued in confidence for engineering information only and may not be reproduced or used to manufacture anything shown herein without permission from THE TECHNICAL MATERIEL CORPORATION to the user. This drawing is loaned for mutual assistance and is subject to recall at any time.</small>		

UNLESS OTHERWISE SPECIFIED DIMENSIONS ARE IN INCHES AND INCLUDE CHEMICALLY APPLIED OR PLATED FINISHES

TOLERANCES ON
 DECIMALS .X ± .05
 FRACTIONS ± 1/64
 ANGLES ± 0° -30'