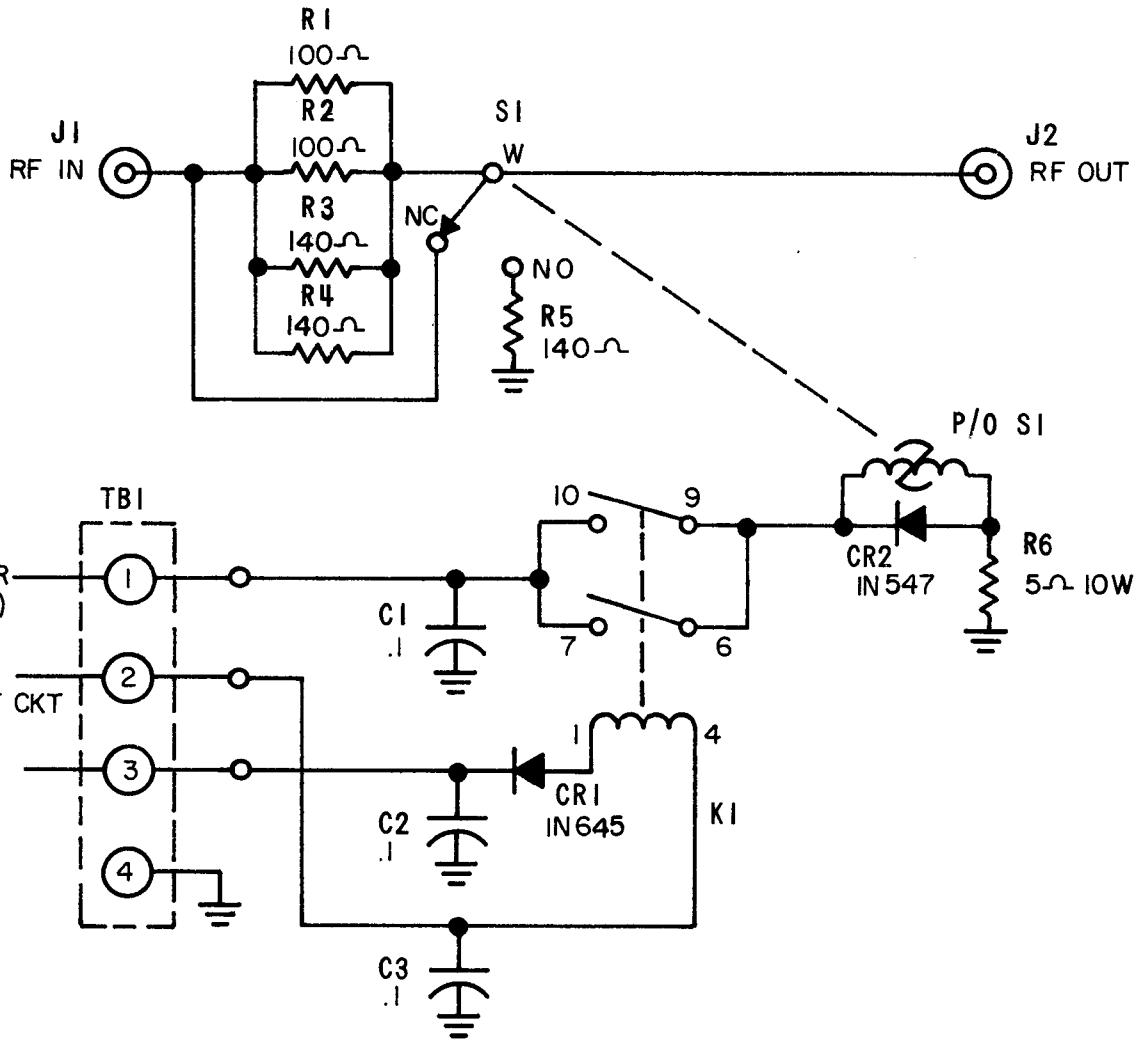
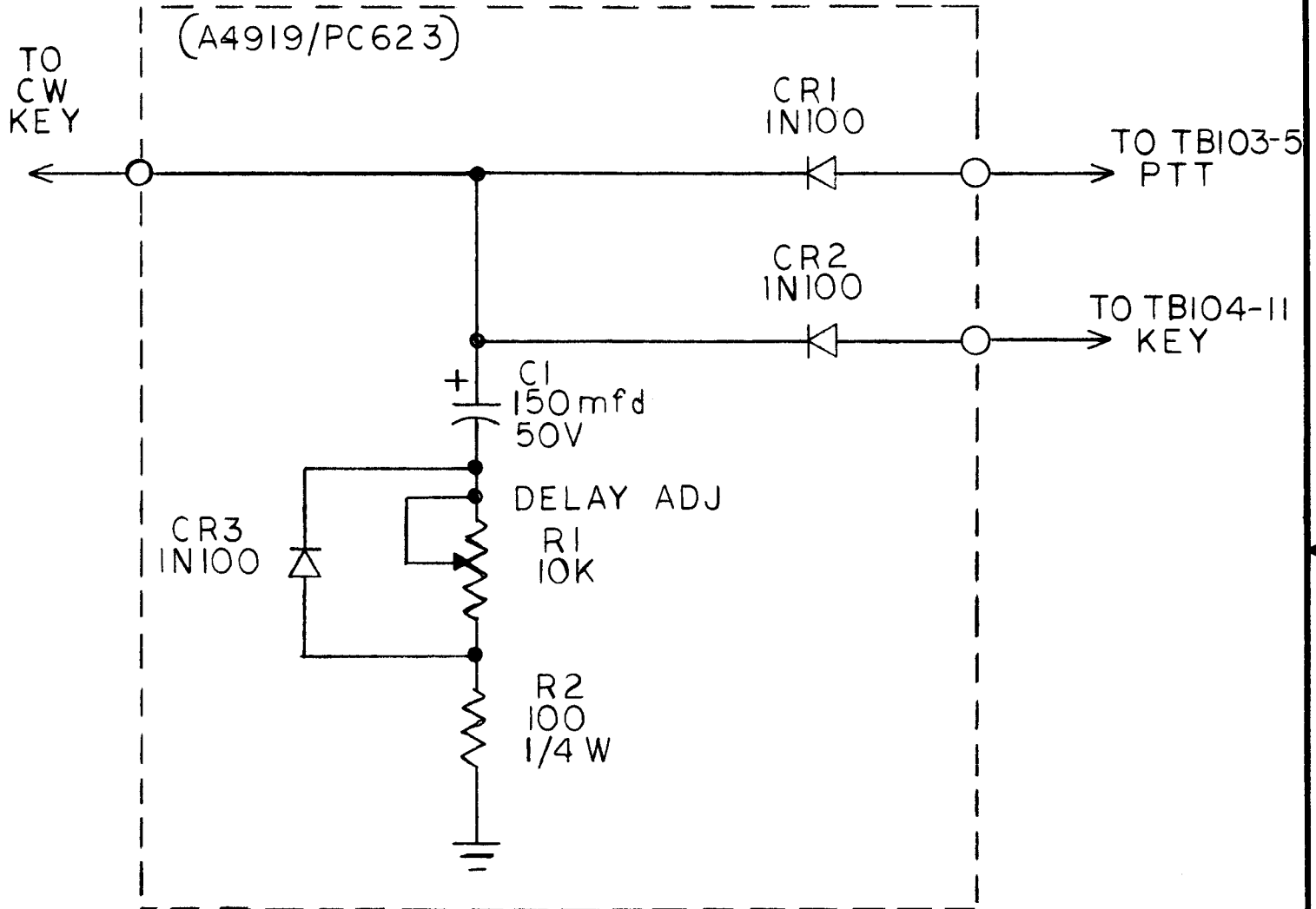


APPLICATION			REVISIONS						
QTY	MODEL USED ON	ASS'Y NO.	LTR	DESCRIPTION	DATE	E.M.N.NO	DRAFT	CHKD	APPD
1	KIT 382	AX5144	Ø	ORIG RELEASE FOR PROD	3/30/72		CV		
			A	CHG. IN 645 WAS IN 695	4-18-72	20622	GE	EJ	EJ
			B	PIN 9 ON KI WAS 8	6-27-72	20708	GE	EJ	EJ



REQ'D	ITEM	PART NUMBER	DESCRIPTION	SYM.	
UNLESS OTHERWISE SPECIFIED DIMENSIONS ARE IN INCHES AND INCLUDE CHEMICALLY APPLIED OR PLATED FINISHES					
LIST OF MATERIAL					
DECIMALS .X ± .05 .XX ± .01 .XXX ± .005		FRACTIONS 1/64 ANGLES 0° - 30'		TOLS.	
MATERIAL		FINAL APPROVAL <i>[Signature]</i>		DATE 29 MAR 72	
FINISH		MECH. DES.		DATE	
		ELECT. DES. <i>[Signature]</i>		DATE 29 MAR 72	
		CHECKED		DATE	
		DRAWN <i>GE</i>		DATE 2/28/72	
THE TECHNICAL MATERIEL CORP. MAMARONECK, NEW YORK DIAGRAM SCHEMATIC AX 5144 SWITCHABLE LOAD RESISTOR ASSY.					
NOTICE TO PERSONS RECEIVING THIS DRAWING THE TECHNICAL MATERIEL CORPORATION claims proprietary right in the material disclosed hereon. This drawing is issued in confidence for engineering information only and may not be reproduced or used to manufacture anything shown hereon without permission from THE TECHNICAL MATERIEL CORPORATION to the user. This drawing is loaned for mutual assistance and is subject to recall at any time.		SIZE A	CODE IDENT. NO. 82679	DWG NO. CK 1932	ISSUF B
SCALE		SHEET		OF	

APPLICATION			REVISIONS						
QTY	MODEL USED ON	ASS'Y NO.	LTR	DESCRIPTION	DATE	E.M.N.NO	DRAFT	CHKD	APPD
	KIT 383		Ø	ORIG RELEASE FOR PROD	3/10/72		Q		



UNLESS OTHERWISE SPECIFIED DIMENSIONS ARE IN INCHES AND INCLUDE CHEMICALLY APPLIED OR PLATED FINISHES		REQ'D	ITEM	PART NUMBER	DESCRIPTION	SYM.
DECIMALS: .X ± .05, .XX ± .01, .XXX ± .005 FRACTIONS: 1/64, ANGLES: 0°-30° TOLS.		LIST OF MATERIAL				
MATERIAL		FINAL APPROVAL	DATE		THE TECHNICAL MATERIEL CORP. MAMARONECK, NEW YORK DIAGRAM, SCHEMATIC KEYING DELAY KIT KIT 383	
FINISH		MECH. DES.	DATE			
		ELECT. DES.	DATE			
		CHECKED	DATE			
		DRAWN	DATE		SIZE	ISSUE
NOTICE TO PERSONS RECEIVING THIS DRAWING THE TECHNICAL MATERIEL CORPORATION claims proprietary right in the material disclosed hereon. This drawing is issued in confidence for engineering information only and may not be reproduced or used to manufacture anything shown hereon without permission from THE TECHNICAL MATERIEL CORPORATION to the user. This drawing is loaned for mutual assistance and is subject to recall at any time.		CODE IDENT. NO. 82679		DWG NO. CK 1933		Ø
		SCALE		SHEET		OF