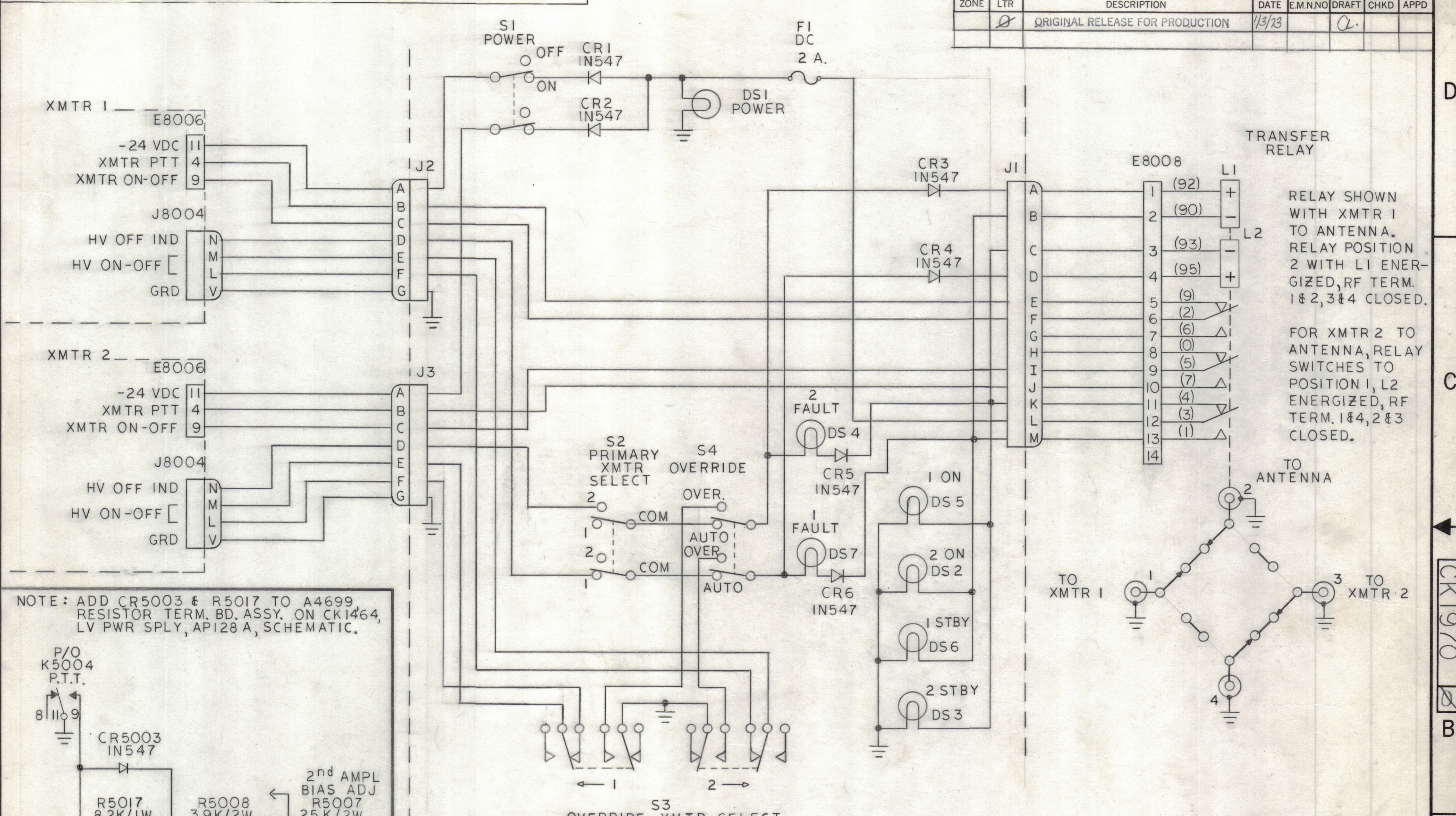


REVISIONS						
ZONE	LTR	DESCRIPTION	DATE	E.M.N.NO	DRAFT	CHKD APPD
	Ø	ORIGINAL RELEASE FOR PRODUCTION	1/3/73			

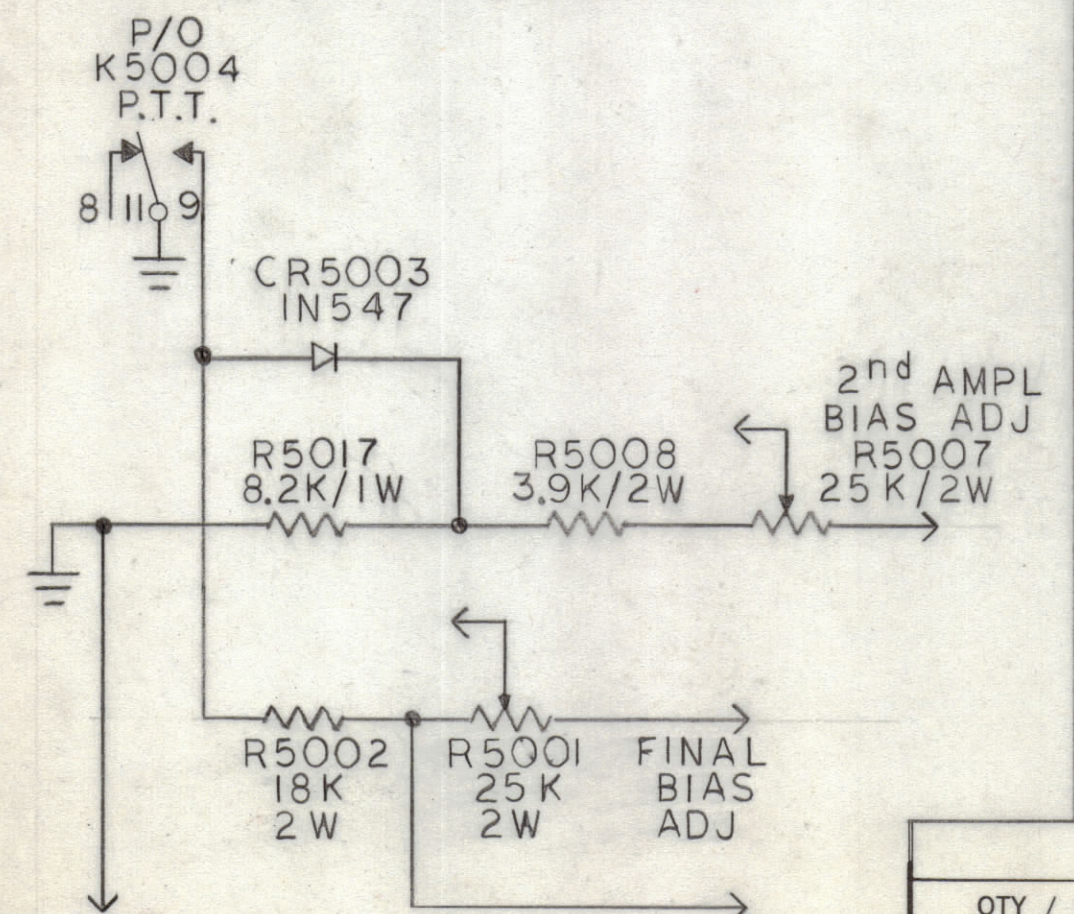


TRANSFER RELAY

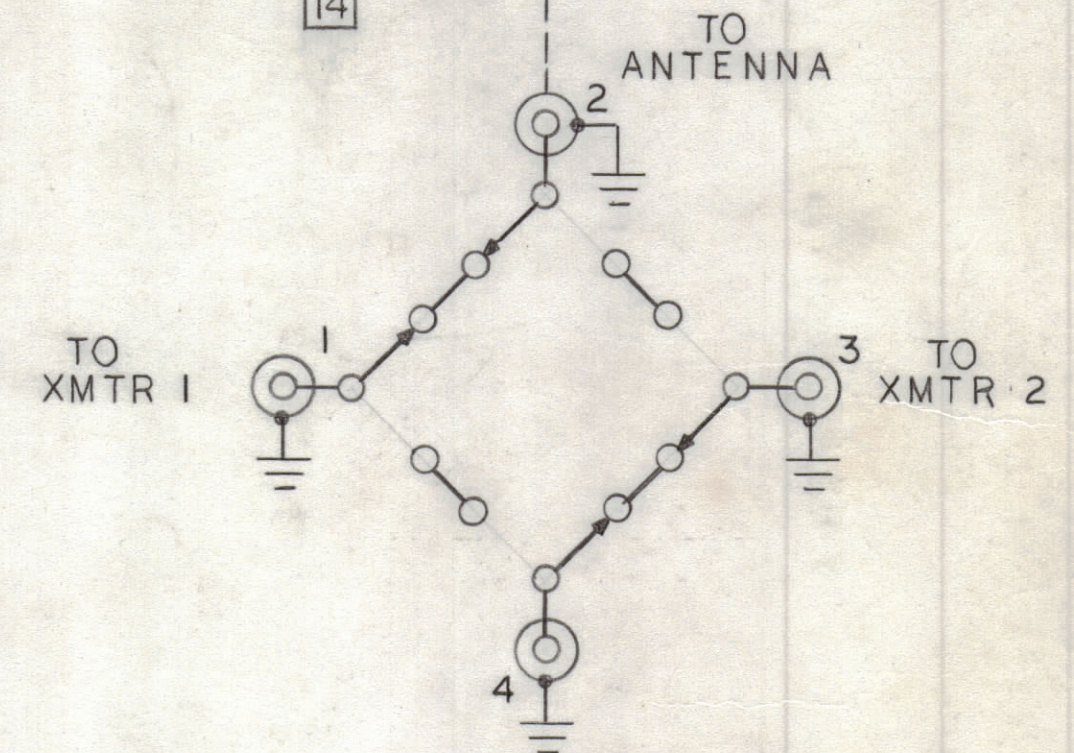
RELAY SHOWN WITH XMTR 1 TO ANTENNA. RELAY POSITION 2 WITH L1 ENERGIZED, RF TERM. 1 & 2, 3 & 4 CLOSED.

FOR XMTR 2 TO ANTENNA, RELAY SWITCHES TO POSITION 1, L2 ENERGIZED, RF TERM. 1 & 4, 2 & 3 CLOSED.

NOTE: ADD CR5003 & R5017 TO A4699 RESISTOR TERM. BD. ASSY. ON CK1464, LV PWR SPLY, API28 A, SCHEMATIC.



S3
OVERRIDE XMTR SELECT
(SHOWN IN CENTER POSITION)



CK1970 B

TRCP-1		
QTY / UNIT	MODEL USED ON	ASS'Y NO.
APPLICATION		
CODE		

NOTICE TO PERSONS RECEIVING THIS DRAWING
 THE TECHNICAL MATERIEL CORPORATION claims proprietary right in the material disclosed hereon. This drawing is issued in confidence for engineering information only and may not be reproduced or used to manufacture anything shown hereon without permission from THE TECHNICAL MATERIEL CORPORATION to the user. This drawing is loaned for mutual assistance and is subject to recall at any time.

UNLESS OTHERWISE SPECIFIED DIMENSIONS ARE IN INCHES AND INCLUDE CHEMICALLY APPLIED OR PLATED FINISHES

TOLERANCES ON

DECIMALS	FRACTIONS
.X ± .05	± 1/64
.XX ± .01	ANGLES
.XXX ± .005	± 0° - 30'

QTY. REQ.	ITEM	PART NO.	DESCRIPTION	SYMBOL
LIST OF MATERIAL				
THE TECHNICAL MATERIEL CORP. MAMARONECK, NEW YORK				
DIAGRAM, SCHEMATIC TRCP-1				
MATERIAL		SIZE CODE IDENT. NO. DWG NO.		ISSUE
FINISH		C 82679 CK1970		Ø
SCALE				SHEET OF

A