

5

4

3

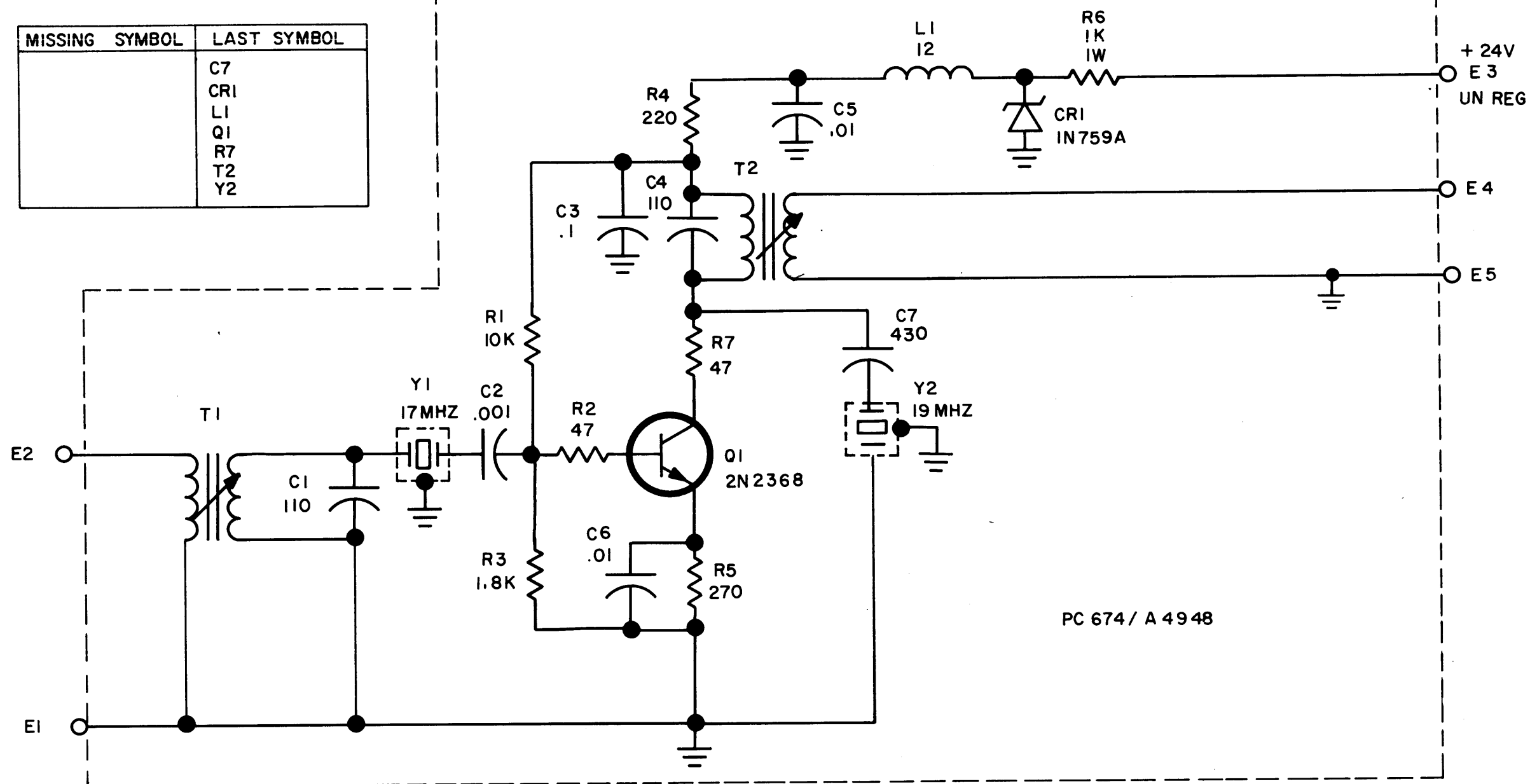
2

1

REVISIONS

EM.N. NO	DRAFT	CHKD	ZONE	LTR	DESCRIPTION	DATE	APPROVED
21060	GE	EJ		A	C7 VALUE WAS 440	4/17/73	EJ

MISSING SYMBOL	LAST SYMBOL
	C7
	CR1
	L1
	Q1
	R7
	T2
	Y2



PC 674 / A 4948

KIT 375		A4948	
QTY / UNIT	MODEL USED ON	ASS'Y NO.	
APPLICATION			
CODE			

NOTICE TO PERSONS RECEIVING THIS DRAWING
 THE TECHNICAL MATERIEL CORPORATION claims proprietary right in the material disclosed hereon. This drawing is issued in confidence for engineering information only and may not be reproduced or used to manufacture anything shown hereon without permission from THE TECHNICAL MATERIEL CORPORATION to the user. This drawing is loaned for mutual assistance and is subject to recall at any time.

UNLESS OTHERWISE SPECIFIED DIMENSIONS ARE IN INCHES AND INCLUDE CHEMICALLY APPLIED OR PLATED FINISHES

DECIMALS	FRACTIONS
.X ± .05	1/64
.XX ± .01	TOLS. ANGLES
.XXX ± .005	0° - 30'

MATERIAL
FINISH

REQ'D	ITEM	PART NUMBER	DESCRIPTION	SYM.
F.B. LIST OF MATERIAL				
FINAL APPROVAL			DATE	THE TECHNICAL MATERIEL CORP. MAMARONECK, NEW YORK 17MHZ TUNING CKT.
MECH. DES.			DATE	
ELECT. DES.			DATE	
CHECKED			DATE	
DRAWN			DATE	SIZE
			3-20-73	B
				CODE IDENT. NO.
				82679
				DWG NO.
				CK1968
				ISSUE
				A
			SCALE	SHEET OF

5

4

3

2

1