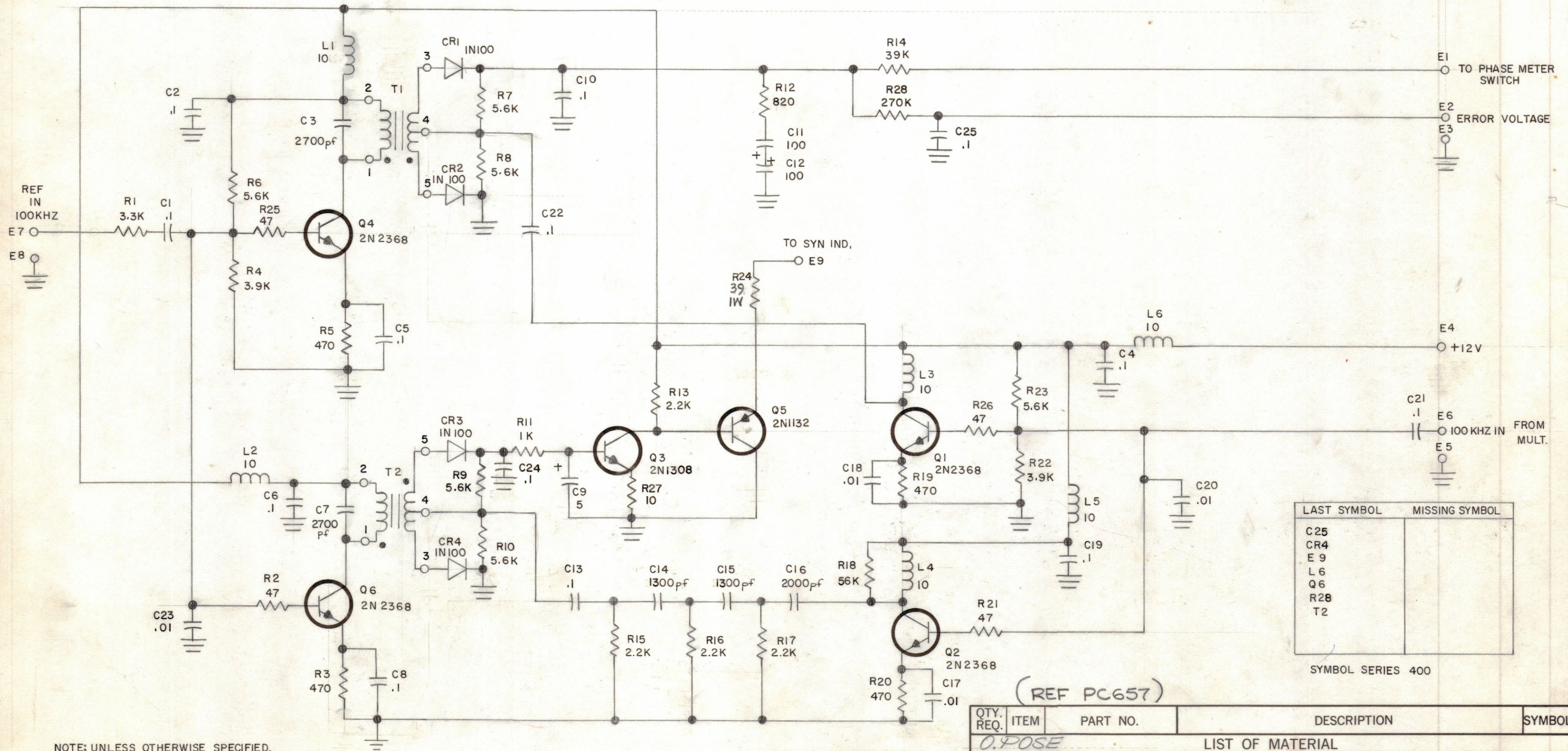


REVISIONS							
ZONE	LTR	DESCRIPTION	DATE	E.M.N.O	DRAFT	CHKD	APPD
	Ø	ORIGINAL RELEASE FOR PRODUCTION	11-21-72				
	A	ADD TERMINAL MARKINGS	1-16-73	20980	GE	Ø	Ø
	B	R27 WAS CR5 VAL. FOR C14, C15 W/ 20000	2-12-73	21010	GE	Ø	Ø
	C	ADD C23, C24 CHG Q3 VAL W/ 2N2368	2-20-73	21023	GE	Ø	Ø
	D	ADD R28 & C25	6-11-73	21087	GE	Ø	Ø



LAST SYMBOL	MISSING SYMBOL
C25	
CR4	
E9	
L6	
Q6	
R28	
T2	

SYMBOL SERIES 400

NOTE: UNLESS OTHERWISE SPECIFIED,
RESISTORS ARE IN OHMS (Ω) 1/4W
ALL INDUCTANCE VALUES ARE IN MILLIHENRIES
ALL CAPACITANCE VALUES IN MICROFARADS

(REF PC657)

1		RSU-1	A4931
QTY / UNIT	MODEL USED ON	ASS'Y NO.	
APPLICATION			
CODE			
NOTICE TO PERSONS RECEIVING THIS DRAWING			
THE TECHNICAL MATERIEL CORPORATION claims proprietary right in the material disclosed hereon. This drawing is issued in confidence for engineering information only and may not be reproduced or used to manufacture anything shown hereon without permission from THE TECHNICAL MATERIEL CORPORATION to the user. This drawing is loaned for mutual assistance and is subject to recall at any time.			

UNLESS OTHERWISE SPECIFIED DIMENSIONS ARE IN INCHES AND INCLUDE CHEMICALLY APPLIED OR PLATED FINISHES	
TOLERANCES ON	
DECIMALS	FRACTIONS
.X ± .05	± 1/64
.XX ± .01	ANGLES
.XXX ± .005	± 0° -30'
MATERIAL	
FINISH	

QTY. REQ.	ITEM	PART NO.	DESCRIPTION	SYMBOL
	0. POSE LIST OF MATERIAL			
FINAL APPROVAL		DATE		THE TECHNICAL MATERIEL CORP. MAMARONECK, NEW YORK DIAGRAM SCHEMATIC PHASE DETECTOR
MECH. DES.		DATE		
ELECT. DES.		DATE		
CHECKED		DATE		SIZE CODE IDENT.NO. DWG NO. ISSUE C 82679 CK1967 D
DRAWN		DATE		
		SCALE		SHEET OF

CK1967