

5

4

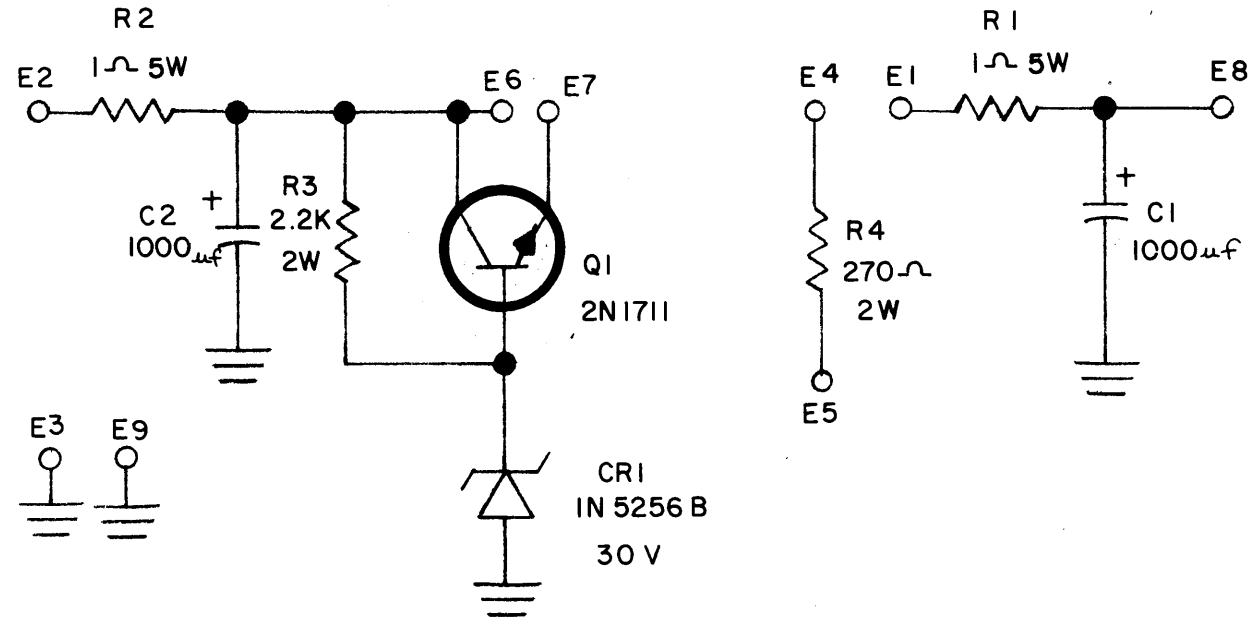
3

2

1

REVISIONS

E.M.N. NO.	DRAFT	CHKD	ZONE	LTR	DESCRIPTION	DATE	APPROVED
	<i>EF</i>			$\emptyset$	ORIGINAL RELEASE FOR PRODUCTION	11-21-72	
20984	<i>CE</i>			A	VALUE OF R1 & R2 WAS 2W	1-31-73	



SYMBOL SERIES 600

LAST SYMBOL	MISSING SYMBOL
C2	
CR1	
E9	
Q1	
R4	

REF. PC 651

1	RSU-1	A4926
QTY / UNIT	MODEL USED ON	ASS'Y NO.
APPLICATION		
	CODE	

**NOTICE TO PERSONS RECEIVING THIS DRAWING**  
 THE TECHNICAL MATERIEL CORPORATION claims proprietary right in the material disclosed hereon. This drawing is issued in confidence for engineering information only and may not be reproduced or used to manufacture anything shown hereon without permission from THE TECHNICAL MATERIEL CORPORATION to the user. This drawing is loaned for mutual assistance and is subject to recall at any time.

UNLESS OTHERWISE SPECIFIED DIMENSIONS ARE IN INCHES AND INCLUDE CHEMICALLY APPLIED OR PLATED FINISHES	
DECIMALS .X ± .05 .XX ± .01 .XXX ± .005	FRACTIONS 1/64 ANGLES 0° - 30'
MATERIAL	FINISH

REQ'D	ITEM	PART NUMBER	DESCRIPTION	SYM.
			LIST OF MATERIAL	
			THE TECHNICAL MATERIEL CORP. MAMARONECK, NEW YORK	
			DIAGRAM SCHEMATIC POWER SUPPLY	
			SIZE B	ISSUE A
			CODE IDENT. NO. 82679	
			DWG NO. CK1963	
			SCALE 2:1	
			SHEET OF	

5

4

2

1