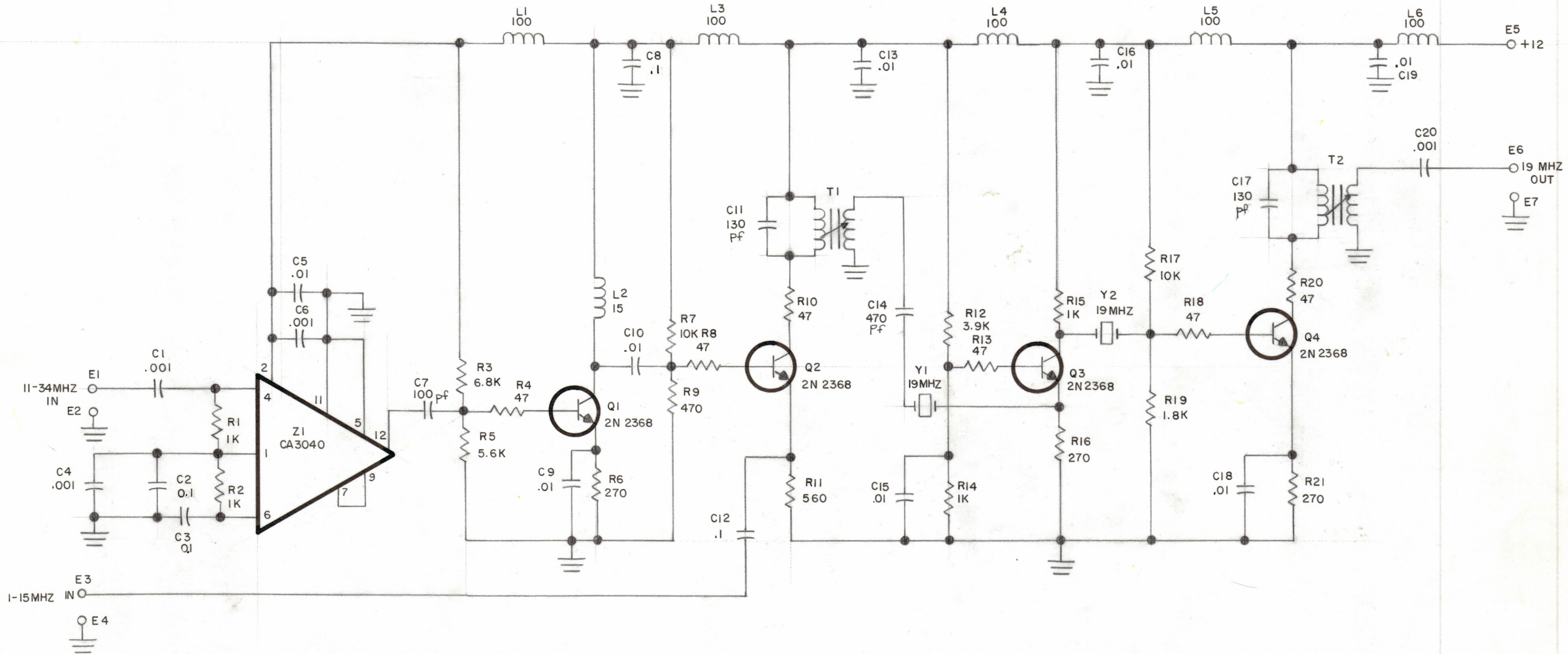


REVISIONS						
ZONE	LTR	DESCRIPTION	DATE	E.M.N.NO	DRAFT	CHKD APPD
	0	ORIGINAL RELEASE FOR PRODUCTION	11-21-72		EP	
	A	C8 VALUE WAS .01	3/29/73	21045	GE	EP/CL



UNLESS OTHERWISE SPECIFIED:
 RESISTORS IN OHMS (Ω) 1/4 W
 ALL INDUCTANCE VALUES IN MICROHENRIES
 ALL CAPACITANCE VALUES ARE IN MICROFARADS

SYMBOL SERIES 200

LAST SYMBOL	MISSING SYMBOL
C20	
E7	
L6	
Q4	
R21	
Y2	
Z1	

REF PC 658

UNLESS OTHERWISE SPECIFIED
 DIMENSIONS ARE IN INCHES
 AND INCLUDE CHEMICALLY APPLIED
 OR PLATED FINISHES

TOLERANCES ON
 DECIMALS .X \pm .05
 .XX \pm .01
 .XXX \pm .005
 FRACTIONS \pm 1/64
 ANGLES \pm 0° -30'

1	RSU-1	A4932
QTY / UNIT	MODEL USED ON	ASSY NO.
	APPLICATION	
	CODE	

NOTICE TO PERSONS RECEIVING THIS DRAWING
 THE TECHNICAL MATERIEL CORPORATION claims proprietary right in the material disclosed hereon. This drawing is issued in confidence for engineering information only and may not be reproduced or used to manufacture anything shown hereon without permission from THE TECHNICAL MATERIEL CORPORATION to the user. This drawing is loaned for mutual assistance and is subject to recall at any time.

QTY. REQ.	ITEM	PART NO.	DESCRIPTION	SYMBOL
O. POSE LIST OF MATERIAL				
FINAL APPROVAL		DATE	THE TECHNICAL MATERIEL CORP.	
MECH. DES.		DATE	MAMARONECK, NEW YORK	
ELECT. DES.		DATE	DIAGRAM SCHEMATIC	
CHECKED		DATE	FIRST MIXER BD.	
DRAWN		DATE		
SIZE	CODE IDENT. NO.	DWG NO.	ISSUE	
C	82679	CK 1960	A	
SCALE			SHEET	OF

CK 1960