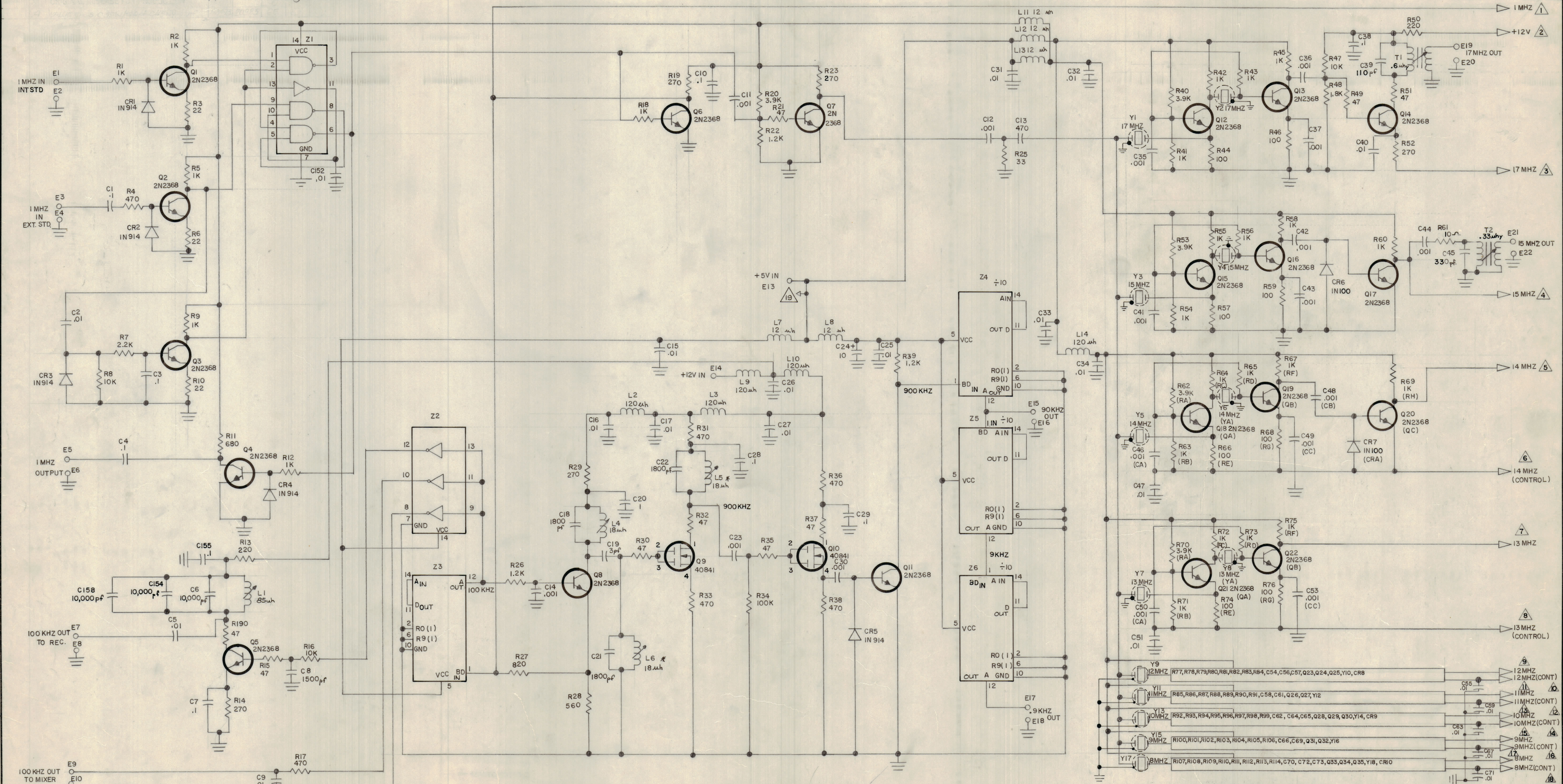


REVISIONS						
ZONE	LTR	DESCRIPTION	DATE	E.M.N.O	DRAFT	CHKD
D		LAST SYM. R190 WAS R189	4/17/72	GE		

REVISIONS						
E.M.N.O	DRAFT	CHKD	ZONE	LTR	DESCRIPTION	DATE



SYMBOL SERIES 1000,1100

LAST SYMBOL	MISSING SYMBOL
C158	C89, C52, C60
CR10	C68
E31	
L16	
Q50	
R190	R24
T17	
Y18	
Z26	

* DENOTES APPROX. VALUE

RSU-1

QTY / UNIT	MODEL USED ON	ASS'Y NO.
	APPLICATION	
	CODE	

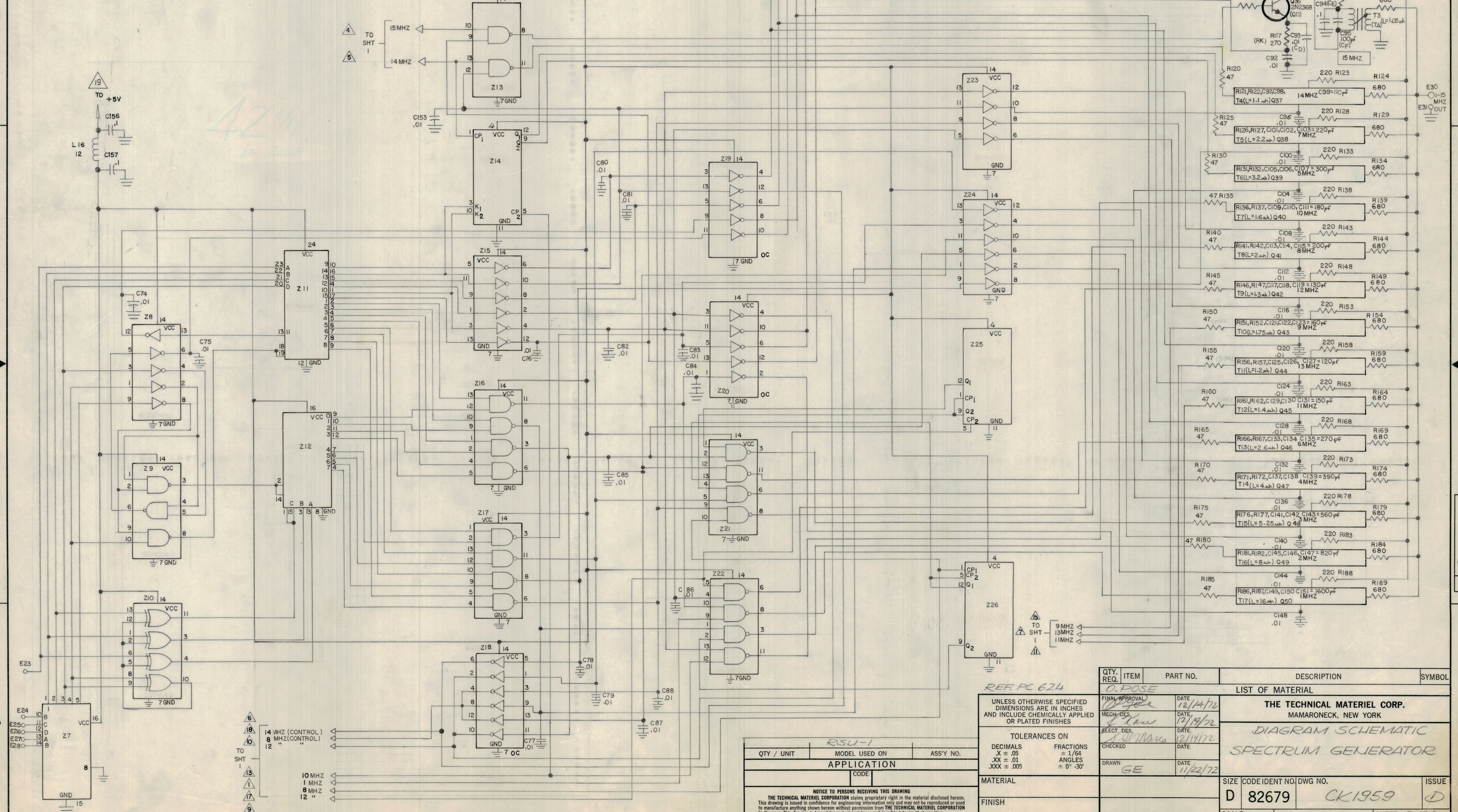
NOTICE TO PERSONS RECEIVING THIS DRAWING
 THE TECHNICAL MATERIEL CORPORATION claims proprietary right in the material disclosed hereon. This drawing is issued in confidence for engineering information only and may not be reproduced or used to manufacture anything shown hereon without permission from THE TECHNICAL MATERIEL CORPORATION to the user. This drawing is loaned for mutual assistance and is subject to recall at any time.

REF. PC 624

QTY. REQ.	ITEM	PART NO.	DESCRIPTION	SYMBOL
	O. POSE LIST OF MATERIAL			
	THE TECHNICAL MATERIEL CORP. MAMARONECK, NEW YORK			
	DIAGRAM SCHEMATIC SPECTRUM GENERATOR			
	SIZE CODE IDENT NO. DWG NO.			ISSUE
	D	82679	CK1959	D
	SCALE			SHEET 1 OF 2

REVISIONS							
ZONE	LTR	DESCRIPTION	DATE	E.M.N.O	DRAFT	CHKD	APPD
X2		ADD C156, L16	12-6-72	GE			
X3		DELE C83, C84, C85 ADD SYM	12-11-72	GE			
A		ORIGINAL RELEASE FOR PRODUCTION	12/19/72	GE			
A		VALUE CHANGES ON SHT ONE	1-30-73	20983	GE		
B		SEE SHEET 1	3-12-73	21033	GE		
C		SEE SHEET 1	3-29-73	21047	GE		
D		SEE SHEET 1	6-1-73	21081	GE		

REVISIONS							
E.M.N.O	DRAFT	CHKD	ZONE	LTR	DESCRIPTION	DATE	APPROVED
GE			X1		C153, C154 ADDED	DEC-2-72	



QTY. REQ.	ITEM	PART NO.	DESCRIPTION	SYMBOL
0.	POSE		LIST OF MATERIAL	
	FINAL APPROVAL	DATE	THE TECHNICAL MATERIEL CORP.	
	MECH. DES.	DATE	MAMARONECK, NEW YORK	
	ELECT. DES.	DATE	DIAGRAM SCHEMATIC	
	CHECKED	DATE	SPECTRUM GENERATOR	
	DRAWN	DATE	SIZE	CODE IDENT NO. DWG NO.
			D	82679 CK1959
			SCALE	ISSUE
				D

QTY / UNIT	MODEL USED ON	ASS'Y NO.
	RSU-1	
APPLICATION		
	CODE	

REF. PC 624

UNLESS OTHERWISE SPECIFIED DIMENSIONS ARE IN INCHES AND INCLUDE CHEMICALLY APPLIED OR PLATED FINISHES

TOLERANCES ON DECIMALS FRACTIONS
 .X ± .05 ± 1/64
 .XX ± .01 ANGLES ± 0° - 30'
 .XXX ± .005

NOTICE TO PERSONS RECEIVING THIS DRAWING
 THE TECHNICAL MATERIEL CORPORATION claims proprietary right in the material disclosed hereon. This drawing is issued in confidence for engineering information only and may not be reproduced or used to manufacture anything shown hereon without permission from THE TECHNICAL MATERIEL CORPORATION to the user. This drawing is loaned for mutual assistance and is subject to recall at any time.

QTY. REQ.	ITEM	PART NO.	DESCRIPTION	SYMBOL
0.	POSE		LIST OF MATERIAL	
	FINAL APPROVAL	DATE	THE TECHNICAL MATERIEL CORP.	
	MECH. DES.	DATE	MAMARONECK, NEW YORK	
	ELECT. DES.	DATE	DIAGRAM SCHEMATIC	
	CHECKED	DATE	SPECTRUM GENERATOR	
	DRAWN	DATE	SIZE	CODE IDENT NO. DWG NO.
			D	82679 CK1959
			SCALE	ISSUE
				D