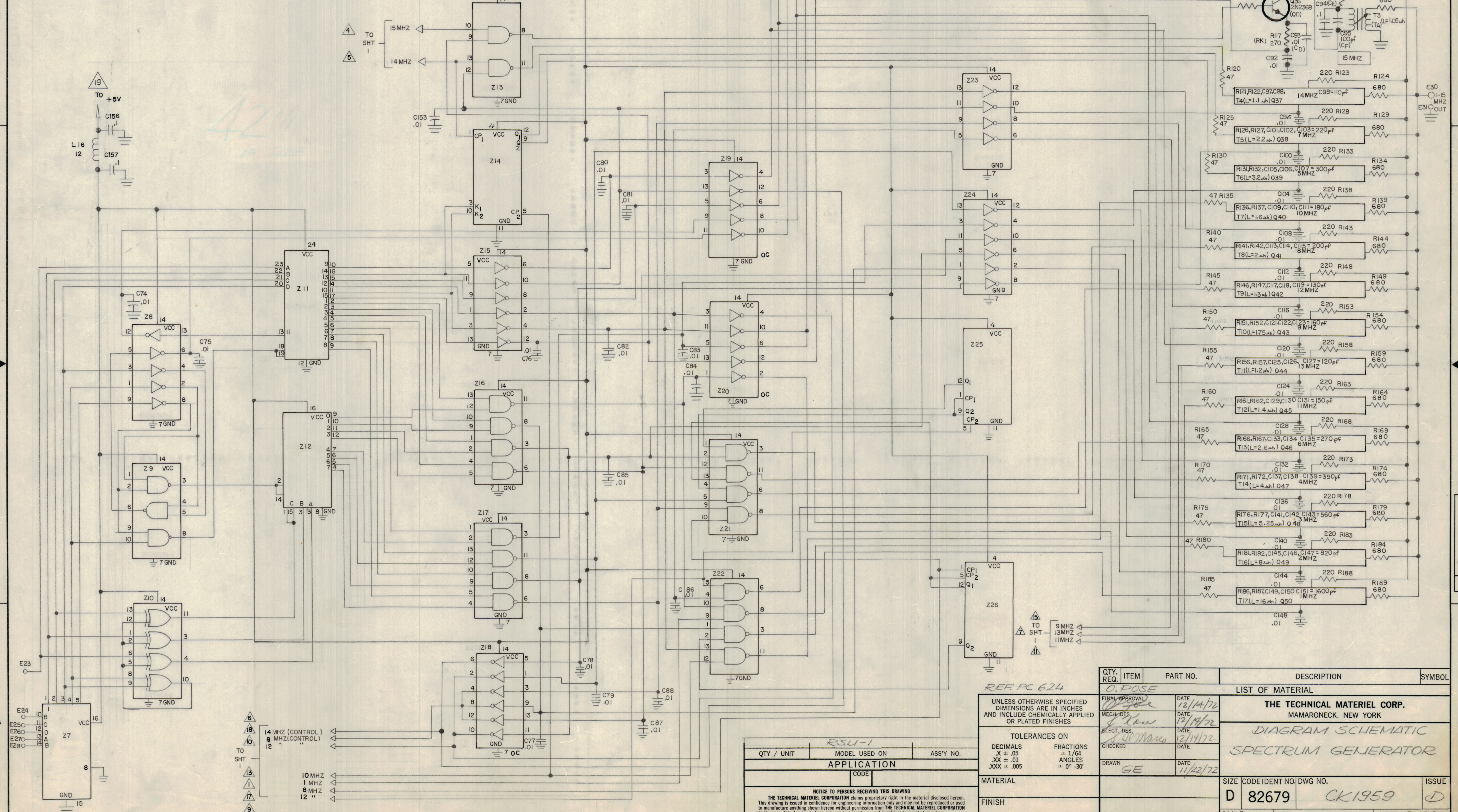


REVISIONS							
ZONE	LTR	DESCRIPTION	DATE	E.M.N.O	DRAFT	CHKD	APPD
X2		ADD C156, L16	12-6-72	GE			
X3		DELE C83, C16, C15 ADD SYM	12-11-72	GE			
A		ORIGINAL RELEASE FOR PRODUCTION	12/19/72	GE			
A		VALUE CHANGES ON SHT ONE	1-30-73	20983	GE	GE	GE
B		SEE SHEET 1	3-12-73	21033	GE	GE	GE
C		SEE SHEET 1	3-29-73	21047	GE	GE	GE
D		SEE SHEET 1	6-1-73	21081	GE	GE	GE

REVISIONS							
E.M.N.O	DRAFT	CHKD	ZONE	LTR	DESCRIPTION	DATE	APPROVED
GE			X1		C153, C154 ADDED	DEC-2-72	



RSU-1		
QTY / UNIT	MODEL USED ON	ASS'Y NO.
APPLICATION		
CODE		
NOTICE TO PERSONS RECEIVING THIS DRAWING		
THE TECHNICAL MATERIEL CORPORATION claims proprietary right in the material disclosed hereon. This drawing is issued in confidence for engineering information only and may not be reproduced or used to manufacture anything shown hereon without permission from THE TECHNICAL MATERIEL CORPORATION to the user. This drawing is loaned for mutual assistance and is subject to recall at any time.		

QTY. REQ.		ITEM	PART NO.	DESCRIPTION	SYMBOL
O. POSE					
LIST OF MATERIAL					
THE TECHNICAL MATERIEL CORP. MAMARONECK, NEW YORK					
DIAGRAM SCHEMATIC SPECTRUM GENERATOR					
SIZE		CODE	IDENT NO.	DWG NO.	ISSUE
D		82679	CK1959		D
SCALE					SHEET 2 OF 2