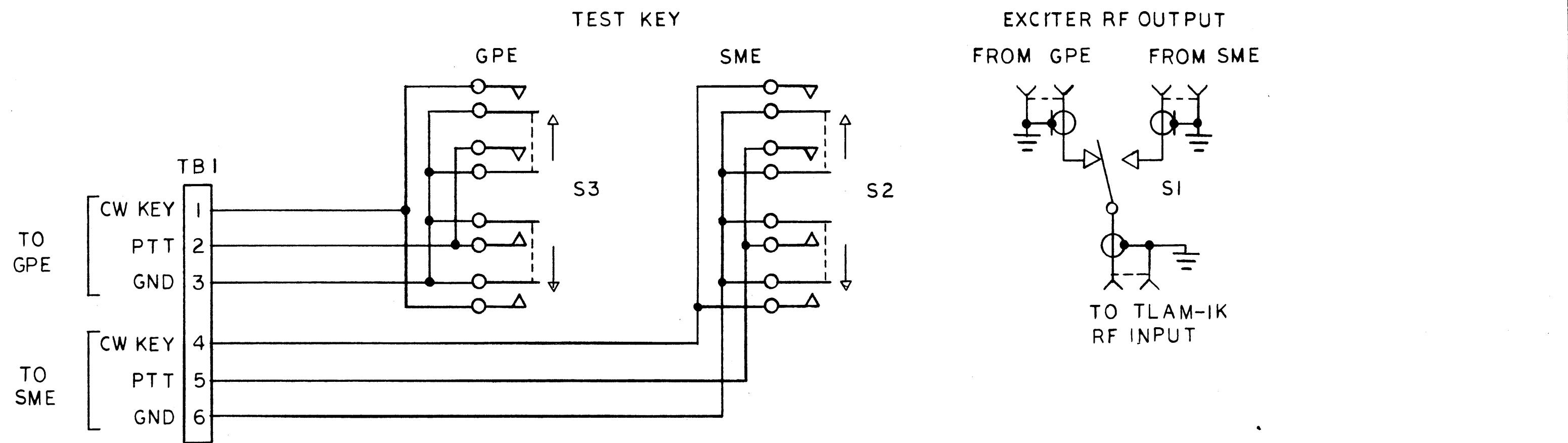


REVISIONS							
E.M.N. NO.	DRAFT	CHKD	ZONE	LTR	DESCRIPTION	DATE	APPROVED
	<i>Ep</i>			<i>Ø</i>	ORIGINAL RELEASE FOR PRODUCTION	5-30-72	



REQ'D	ITEM	PART NUMBER	DESCRIPTION	SYM.
LIST OF MATERIAL				
THE TECHNICAL MATERIEL CORP. MAMARONECK, NEW YORK				
DIAGRAM, SCHEMATIC SWITCH PANEL				
SIZE	CODE IDENT. NO.	DWG NO.	ISSUE	
B	82679	CK1937	Ø	
SCALE	SHEET		OF	

QTY / UNIT	MODEL USED ON	ASS'Y NO.
	SYM 1205	AX5145
APPLICATION		
	CODE	
NOTICE TO PERSONS RECEIVING THIS DRAWING THE TECHNICAL MATERIEL CORPORATION claims proprietary right in the material disclosed hereon. This drawing is issued in confidence for engineering information only and may not be reproduced or used to manufacture anything shown hereon without permission from THE TECHNICAL MATERIEL CORPORATION to the user. This drawing is loaned for mutual assistance and is subject to recall at any time.		

UNLESS OTHERWISE SPECIFIED DIMENSIONS ARE IN INCHES AND INCLUDE CHEMICALLY APPLIED OR PLATED FINISHES	FINAL APPROVAL <i>[Signature]</i>	DATE 28 MAR 72
DECIMALS .X ± .05 FRACTIONS 1/64 TOLS. ANGLES 0° .30'	MECH. DES.	DATE
MATERIAL	ELECT. DES. <i>[Signature]</i>	DATE 28 MAR 72
FINISH	CHECKED <i>[Signature]</i>	DATE 21 APR 72
	DRAWN <i>[Signature]</i>	DATE 28 MAR 72