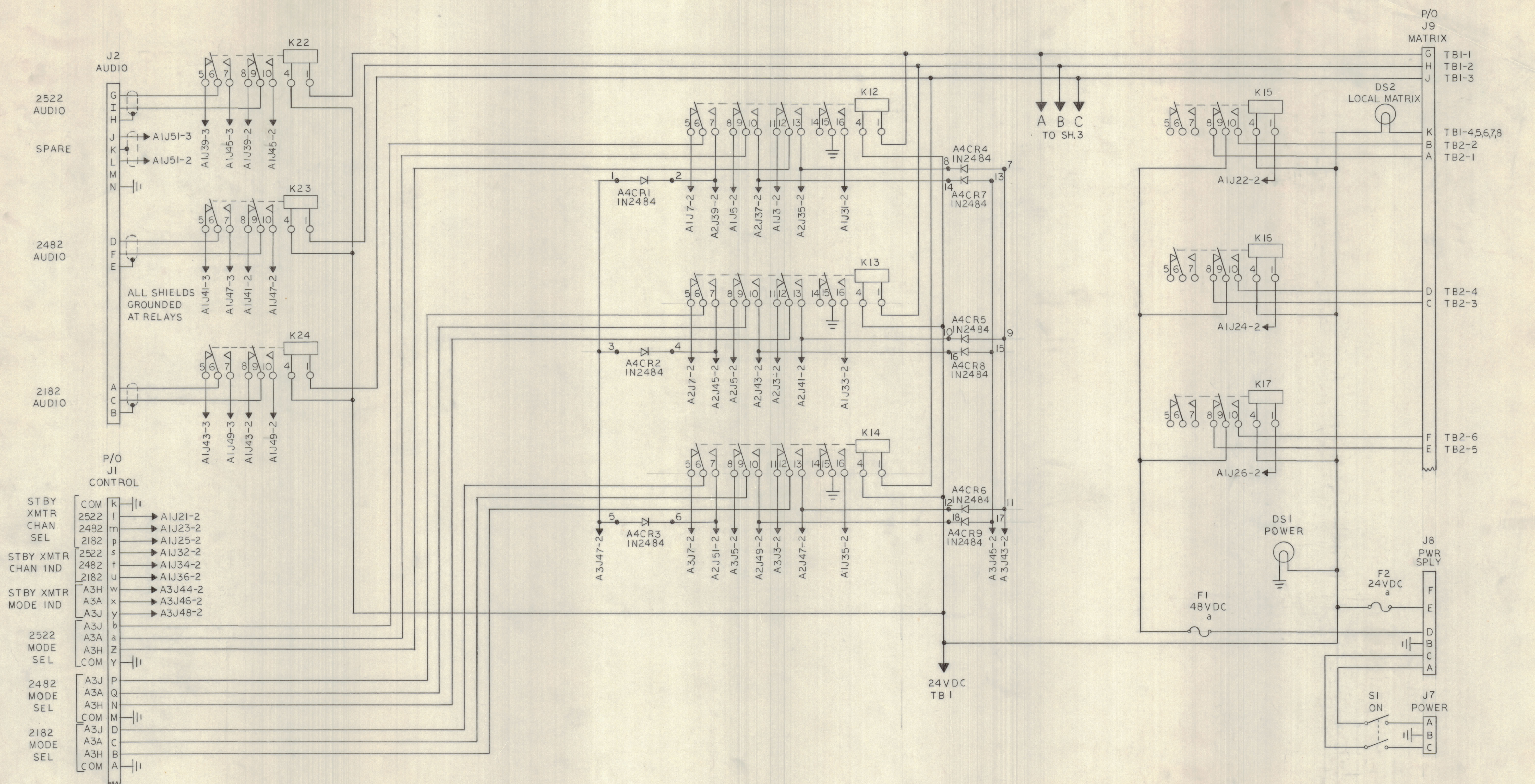


REVISIONS					
E.M.N.O	DRAFT	CHKD	ZONE	LTR	
	0			0	
DESCRIPTION				DATE	APPROVED
ORIGINAL RELEASE FOR PRODUCTION				12/1/71	



QTY. REQ.	ITEM	PART NO.	DESCRIPTION	SYMBOL
LIST OF MATERIAL				
FINAL APPROVAL		DATE	THE TECHNICAL MATERIEL CORP. MAMARONECK, NEW YORK DIAGRAM, SCHEMATIC SYSTEM CONTROL UNIT	
MECH. DES.		DATE		
ELECT. DES.		DATE		
CHECKED		DATE		
DRAWN		DATE		
MATERIAL			SIZE	CODE IDENT NO.
FINISH			D 82679	CK1923
			SCALE	ISSUE
				φ
			SHEET	2 OF 3

QTY / UNIT	MODEL USED ON	ASS'Y NO.
	SYM 1203	AX5158
APPLICATION		
CODE		
<small>NOTICE TO PERSONS RECEIVING THIS DRAWING</small> <small>THE TECHNICAL MATERIEL CORPORATION claims proprietary right in the material disclosed herein. This drawing is issued in confidence for engineering information only and may not be reproduced or used to manufacture anything shown herein without permission from THE TECHNICAL MATERIEL CORPORATION to the user. This drawing is loaned for mutual assistance and is subject to recall at any time.</small>		