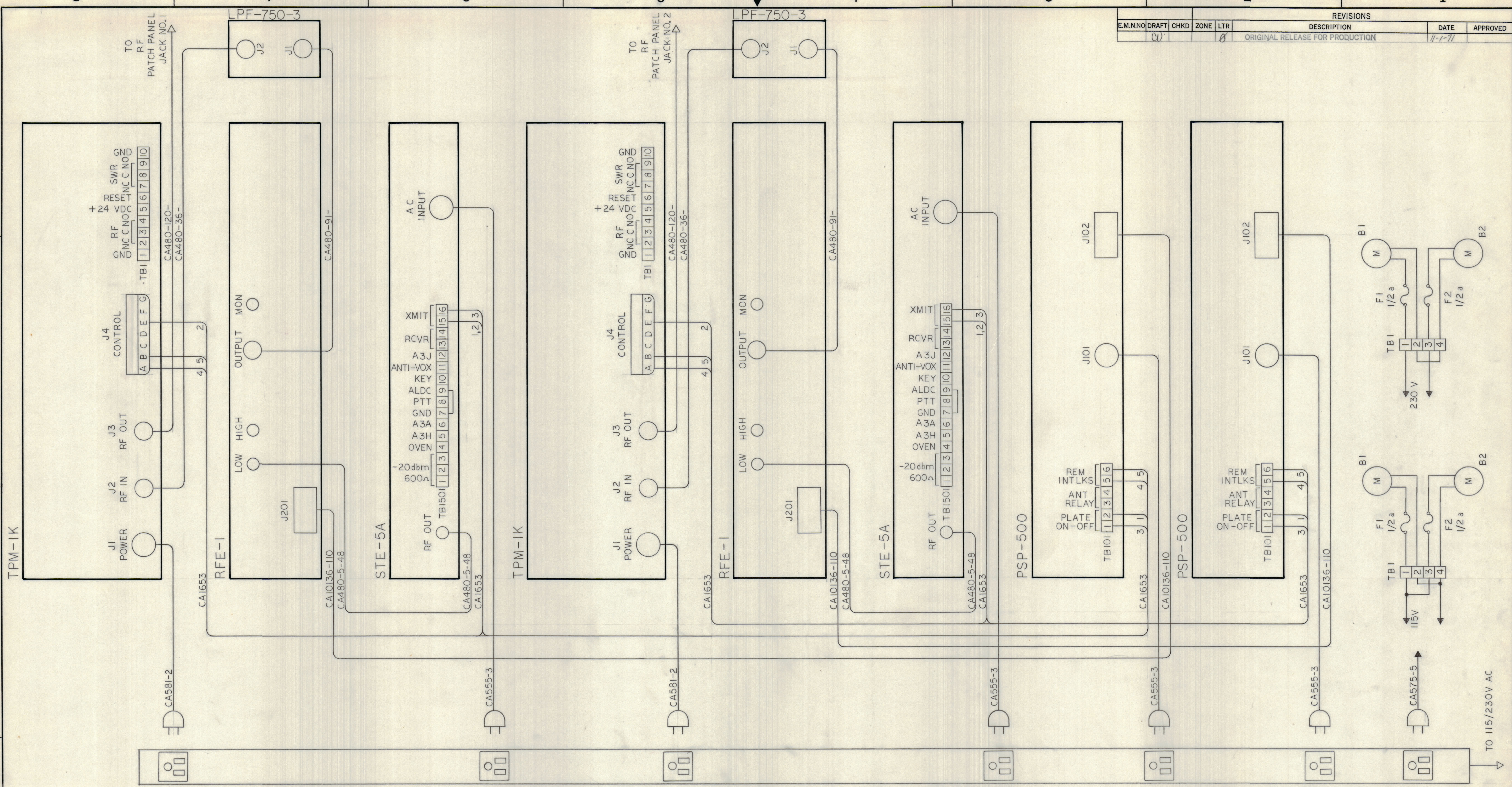


REVISIONS					
E.M.N.NO	DRAFT	CHKD	ZONE	LTR	DESCRIPTION
	0			0	ORIGINAL RELEASE FOR PRODUCTION
					DATE
					APPROVED
					11-1-71



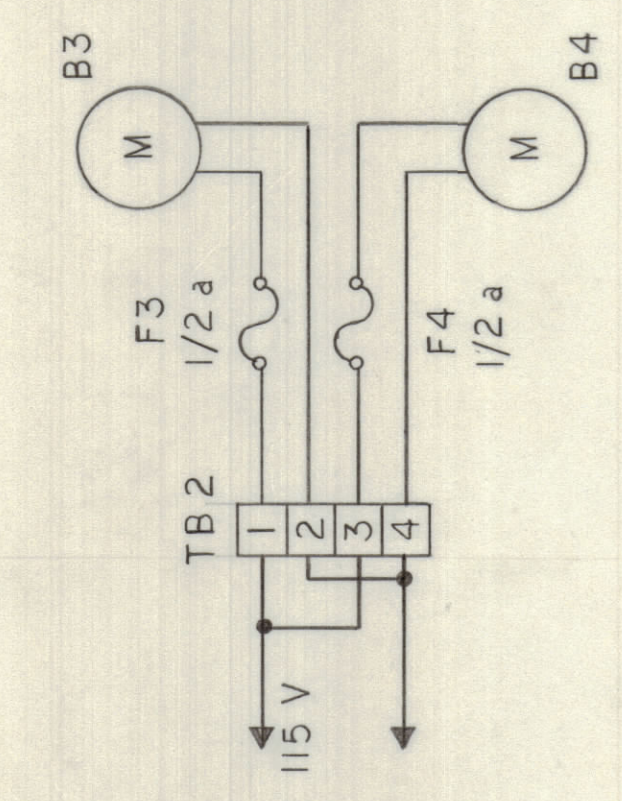
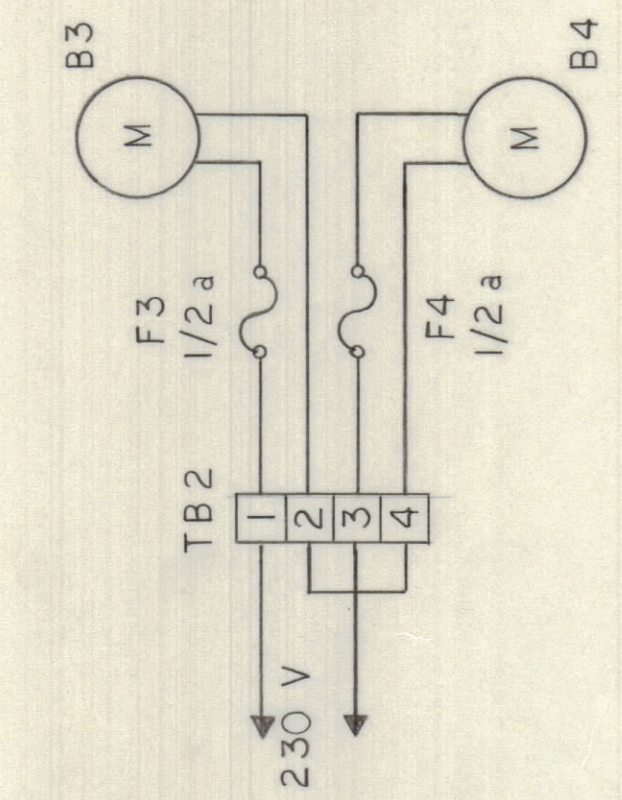
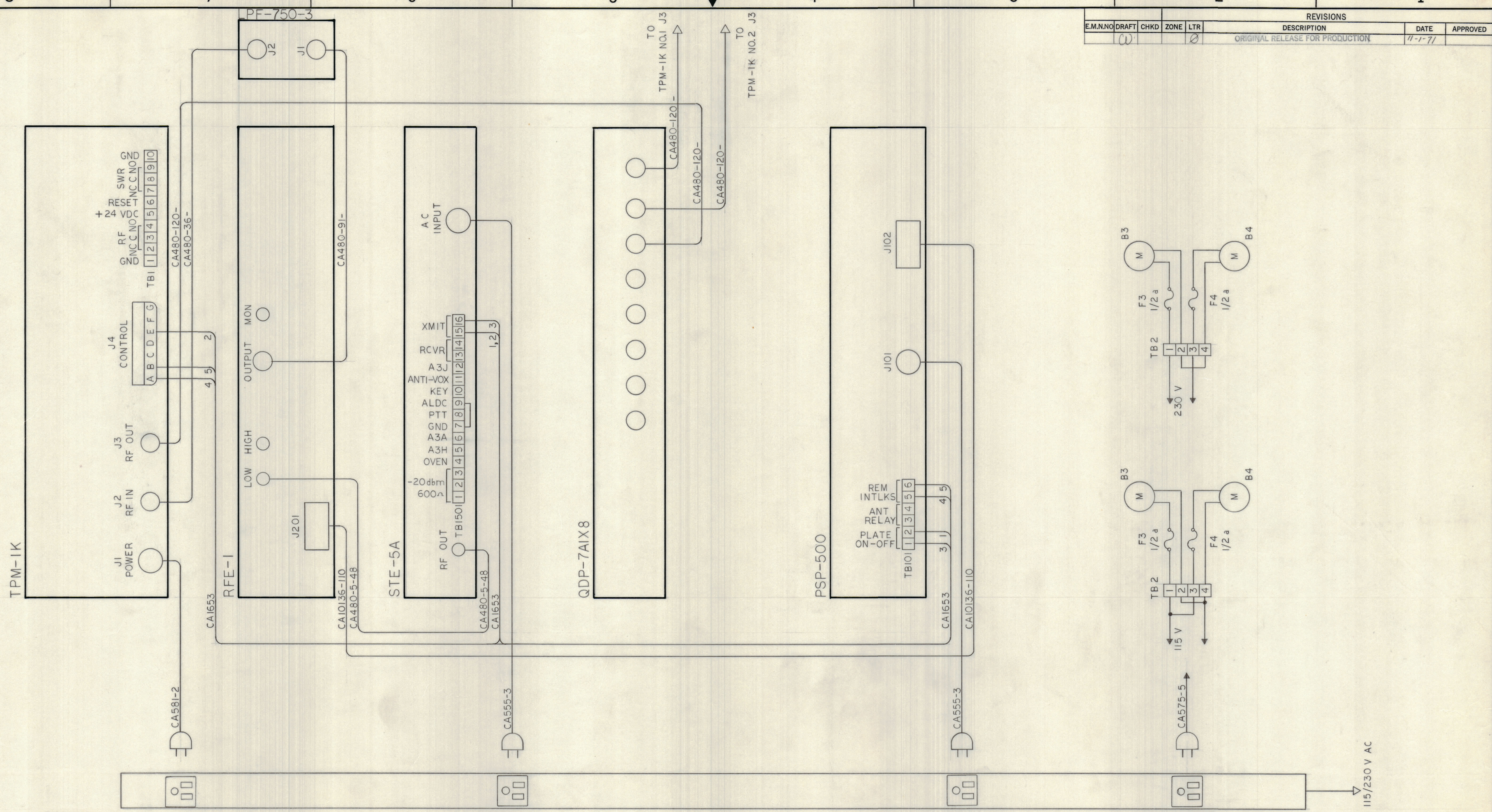
SYM 1204		
QTY / UNIT	MODEL USED ON	ASS'Y NO.
APPLICATION		
CODE		

UNLESS OTHERWISE SPECIFIED DIMENSIONS ARE IN INCHES AND INCLUDE CHEMICALLY APPLIED OR PLATED FINISHES	
TOLERANCES ON	
DECIMALS .X ± .05 .XX ± .01 .XXX ± .005	FRACTIONS ± 1/64 ANGLES ± 0° - 30'
MATERIAL	
FINISH	

QTY. REQ.	ITEM	PART NO.	DESCRIPTION	SYMBOL
LIST OF MATERIAL				
FINAL APPROVAL		DATE	THE TECHNICAL MATERIEL CORP.	
MECH. DES.		DATE	MAMARONECK, NEW YORK	
ELECT. DES.		DATE	DIAGRAM, WIRING	
CHECKED		DATE	TRANSMITTING SYSTEM	
DRAWN		DATE	SYM 1204	
SIZE		CODE IDENT NO.	DWG NO.	ISSUE
D		82679	CK 1907	1
SCALE				SHEET 1 OF 2

NOTICE TO PERSONS RECEIVING THIS DRAWING
 THE TECHNICAL MATERIEL CORPORATION claims proprietary right in the material disclosed hereon. This drawing is issued in confidence for engineering information only and may not be reproduced or used to manufacture anything shown herein without permission from THE TECHNICAL MATERIEL CORPORATION to the user. This drawing is loaned for mutual assistance and is subject to recall at any time.

REVISIONS					
E.M.N.NO	DRAFT	CHKD	ZONE	LTR	
DESCRIPTION				DATE	APPROVED
ORIGINAL RELEASE FOR PRODUCTION				11-1-71	



TO 115/230 V AC

SYM 1204		
QTY / UNIT	MODEL USED ON	ASS'Y NO.
APPLICATION		
CODE		
NOTICE TO PERSONS RECEIVING THIS DRAWING		
THE TECHNICAL MATERIEL CORPORATION claims proprietary right in the material disclosed herein. This drawing is issued in confidence for engineering information only and may not be reproduced or used to manufacture anything shown herein without permission from THE TECHNICAL MATERIEL CORPORATION to the user. This drawing is loaned for mutual assistance and is subject to recall at any time.		

UNLESS OTHERWISE SPECIFIED DIMENSIONS ARE IN INCHES AND INCLUDE CHEMICALLY APPLIED OR PLATED FINISHES	
TOLERANCES ON	
DECIMALS .X ± .05 .XX ± .01 .XXX ± .005	FRACTIONS ± 1/64 ANGLES ± 0° -30'
MATERIAL	
FINISH	

QTY. REQ.	ITEM	PART NO.	DESCRIPTION	SYMBOL
LIST OF MATERIAL				
FINAL APPROVAL		DATE	THE TECHNICAL MATERIEL CORP.	
MECH. DES.		DATE	MAMARONECK, NEW YORK	
ELECT. DES.		DATE	DIAGRAM, WIRING	
CHECKED		DATE	TRANSMITTING SYSTEM	
DRAWN		DATE	SYM 1204	
SIZE	CODE IDENT NO.	DWG NO.	ISSUE	
D	82679	CK1907		
SCALE		SHEET 2 OF 2		