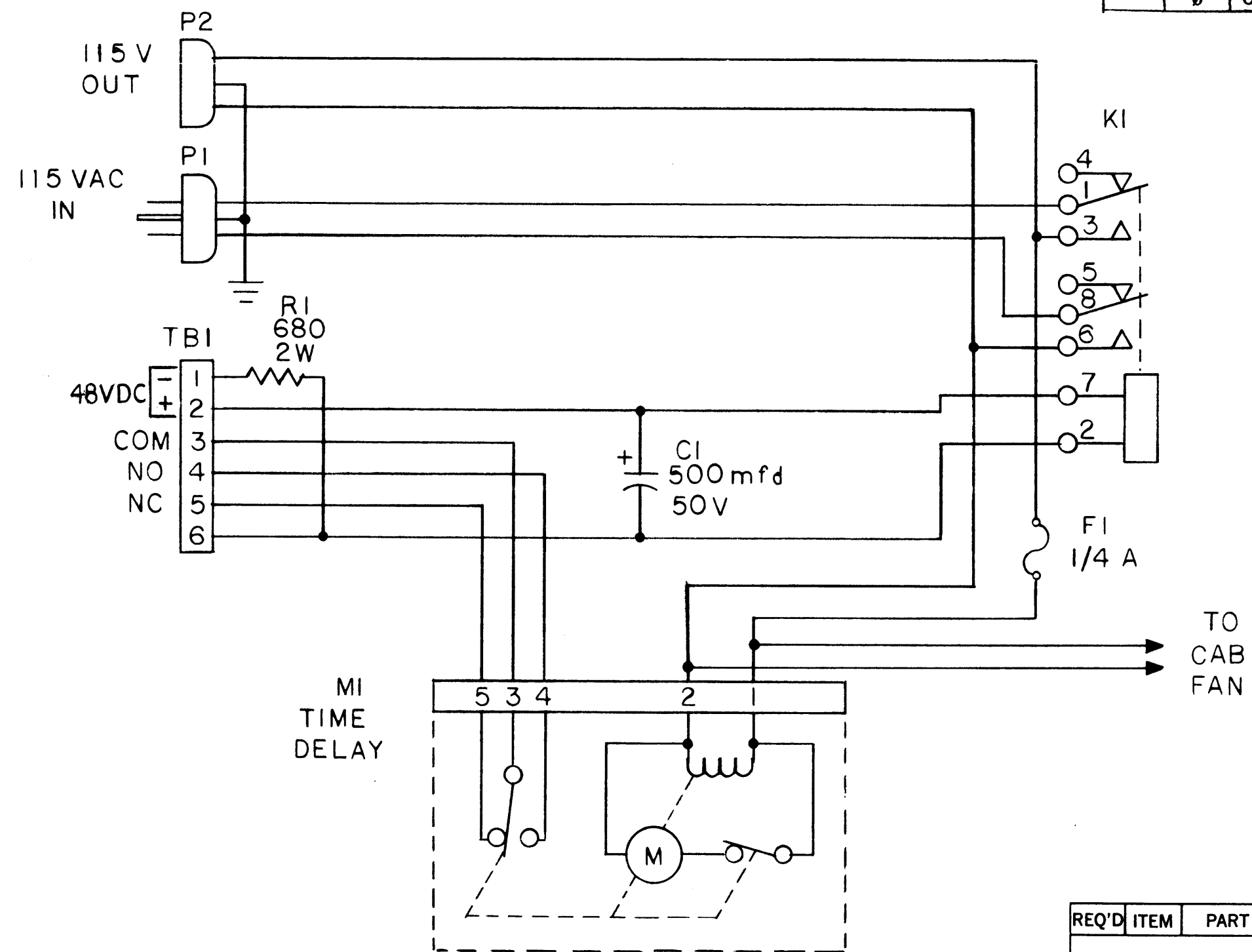


5 4 3 2 1

REVISIONS					
ZONE	LTR	DESCRIPTION	DATE	E.M.N.NO	APPD
	Ø	ORIG RELEASE FOR PROD	9/13/71		CV



QTY / UNIT	SYM 1202	ASS'Y NO. AX5135
APPLICATION		
	CODE	

NOTICE TO PERSONS RECEIVING THIS DRAWING
 THE TECHNICAL MATERIEL CORPORATION claims proprietary right in the material disclosed hereon. This drawing is issued in confidence for engineering information only and may not be reproduced or used to manufacture anything shown hereon without permission from THE TECHNICAL MATERIEL CORPORATION to the user. This drawing is loaned for mutual assistance and is subject to recall at any time.

UNLESS OTHERWISE SPECIFIED DIMENSIONS ARE IN INCHES AND INCLUDE CHEMICALLY APPLIED OR PLATED FINISHES

DECIMALS .X ± .05
 .XX ± .01
 .XXX ± .005

FRACTIONS 1/64
 ANGLES 0°-30'

MATERIAL

FINISH

REQ'D	ITEM	PART NUMBER	DESCRIPTION	SYM.
LIST OF MATERIAL				
FINAL APPROVAL <i>[Signature]</i> DATE 18 Aug 71				
MECH. DES. DATE				
ELECT. DES. <i>[Signature]</i> DATE 18 Aug 71				
CHECKED DATE				
DRAWN <i>[Signature]</i> DATE 18 Aug 71				
THE TECHNICAL MATERIEL CORP. MAMARONECK, NEW YORK				
DIAGRAM, SCHEMATIC				
MOTOR POWER CONTROL UNIT				
SIZE	CODE IDENT. NO.	DWG NO.	ISSUE	
B	82679	CK1899		
SCALE	SHEET		OF	

FCI-10-170 (10-66) 5 4 3 2 1