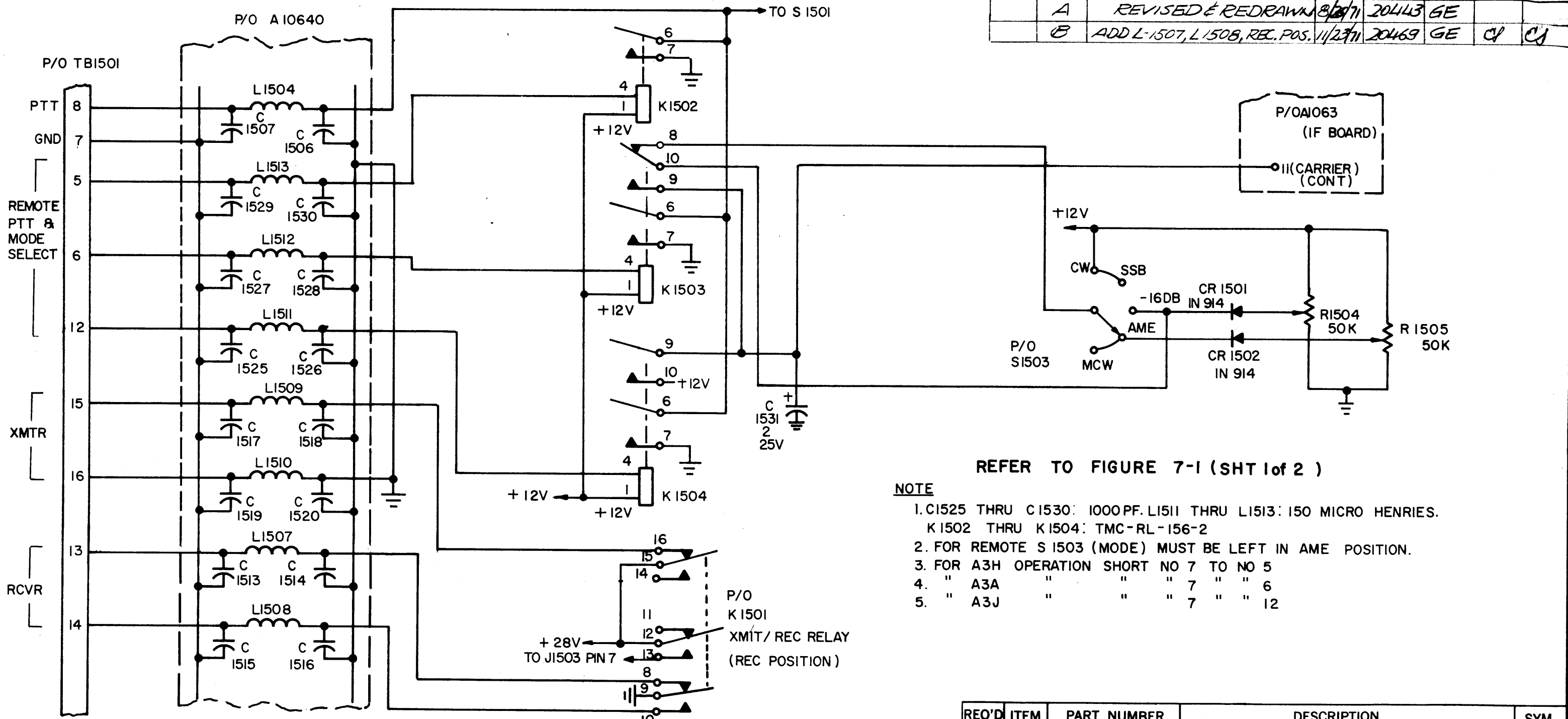


REVISIONS						
ZONE	LTR	DESCRIPTION	DATE	E.M.N.NO	DRAFT	CHKD APPD
	A	REVISED & REDRAWN	8/27/71	20443	GE	
	B	ADD L-1507, L-1508, REC. POS.	11/27/71	20469	GE	CJ CJ



REFER TO FIGURE 7-1 (SHT 1 of 2)

- NOTE**
1. C1525 THRU C1530: 1000PF. L1511 THRU L1513: 150 MICRO HENRIES. K1502 THRU K1504: TMC-RL-156-2
  2. FOR REMOTE S1503 (MODE) MUST BE LEFT IN AME POSITION.
  3. FOR A3H OPERATION SHORT NO 7 TO NO 5
  4. " A3A " " " 7 " " 6
  5. " A3J " " " 7 " " 12

STE-5A		
QTY / UNIT	MODEL USED ON	ASS'Y NO.
APPLICATION		
CODE		

**NOTICE TO PERSONS RECEIVING THIS DRAWING**  
 THE TECHNICAL MATERIEL CORPORATION claims proprietary right in the material disclosed hereon. This drawing is issued in confidence for engineering information only and may not be reproduced or used to manufacture anything shown hereon without permission from THE TECHNICAL MATERIEL CORPORATION to the user. This drawing is loaned for mutual assistance and is subject to recall at any time.

UNLESS OTHERWISE SPECIFIED DIMENSIONS ARE IN INCHES AND INCLUDE CHEMICALLY APPLIED OR PLATED FINISHES	
DECIMALS .X ± .06 .XX ± .01 .XXX ± .005	FRACTIONS 1/64 ANGLES 0° - 30'
MATERIAL	
FINISH	

REQ'D	ITEM	PART NUMBER	DESCRIPTION	SYM.
LIST OF MATERIAL				
FINAL APPROVAL				
MECH. DES.				
ELECT. DES.				
CHECKED				
DRAWN <i>GE</i>				
DATE <i>8/31/71</i>				
THE TECHNICAL MATERIEL CORP. MAMARONECK, NEW YORK				
REMOTE CONTROL OF PTT & MODE MODIFICATION FOR SIDEBAND STRIP EXCITER STE-5				
SIZE	CODE IDENT. NO.	DWG NO.	ISSUE	
B	82679	CK 1874	B	
SCALE		SHEET OF		