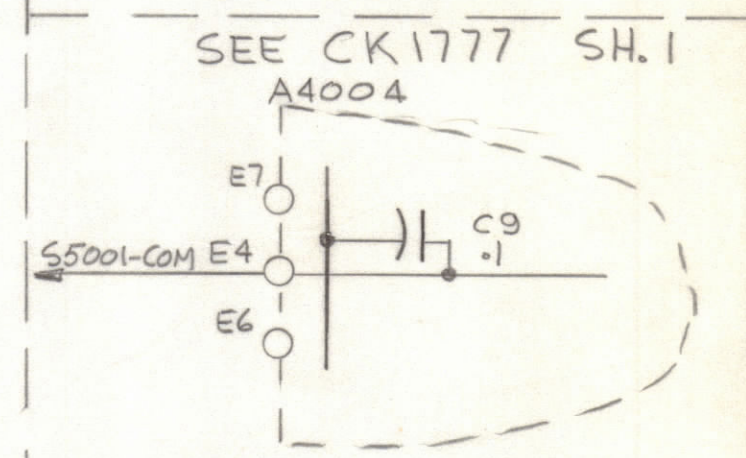
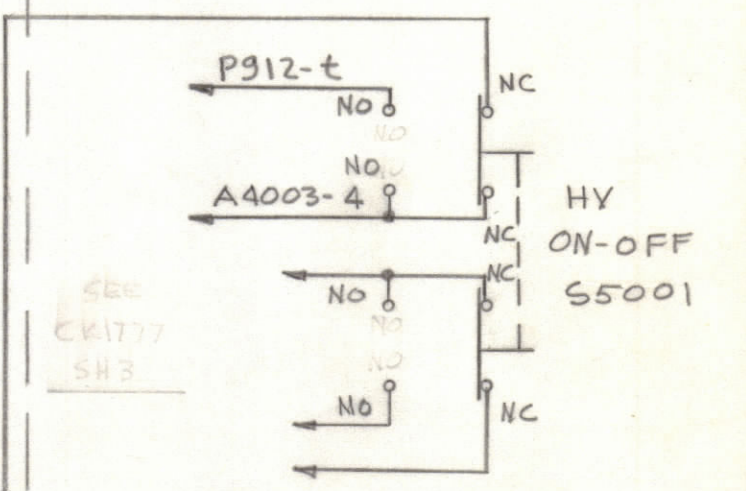
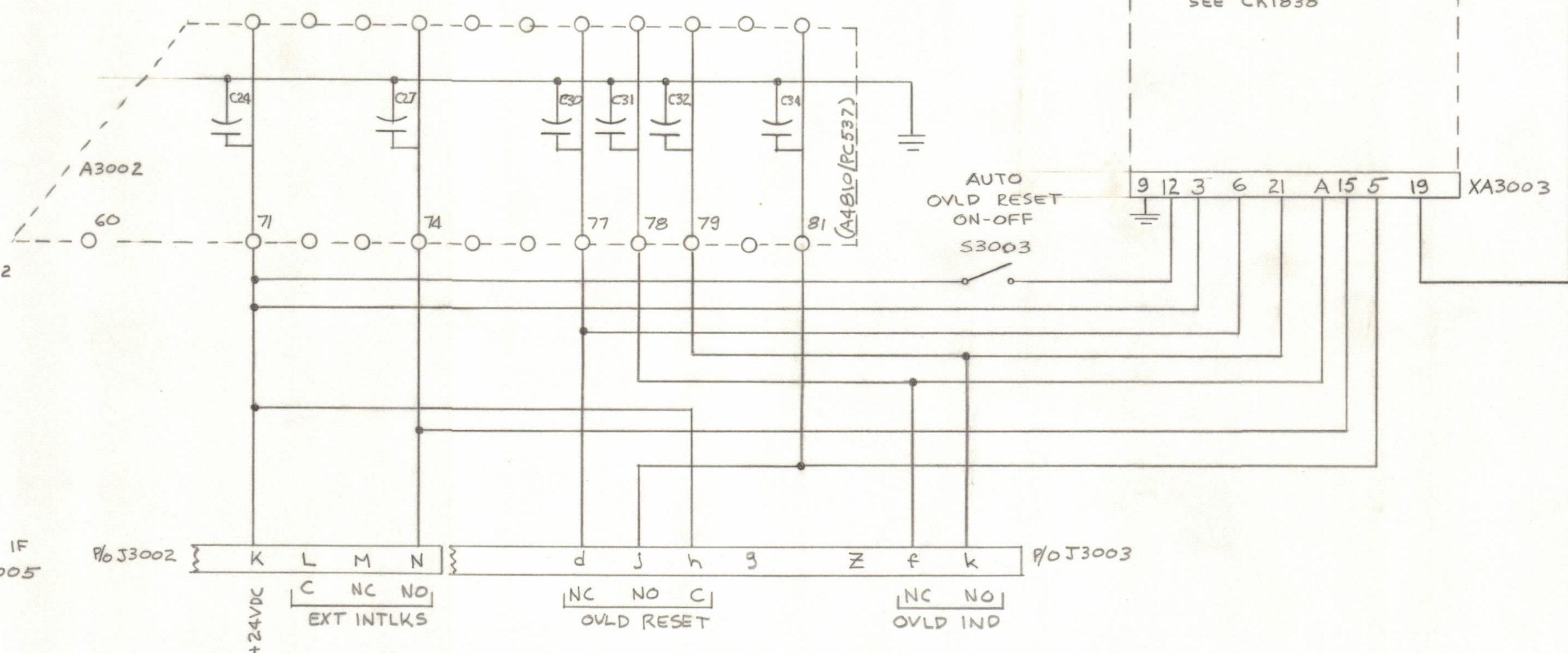
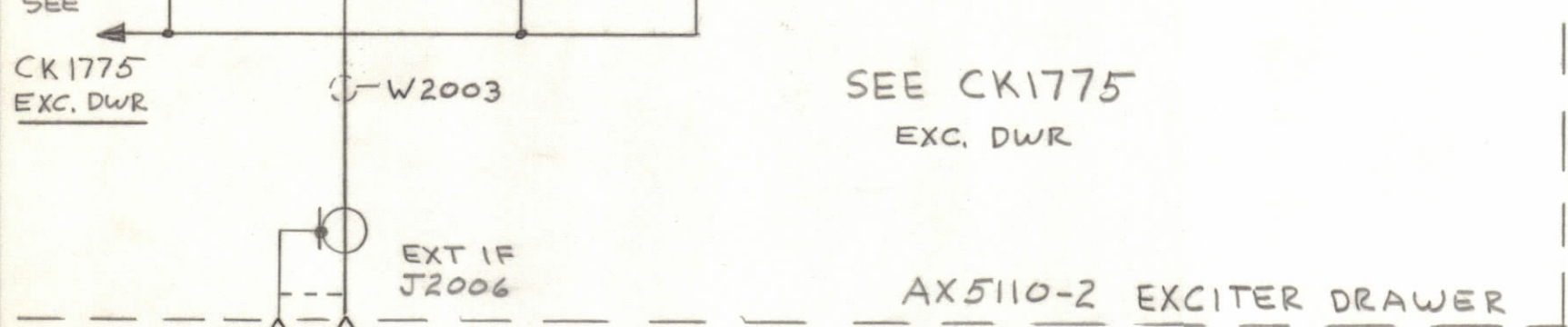
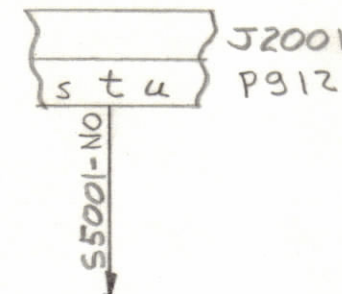
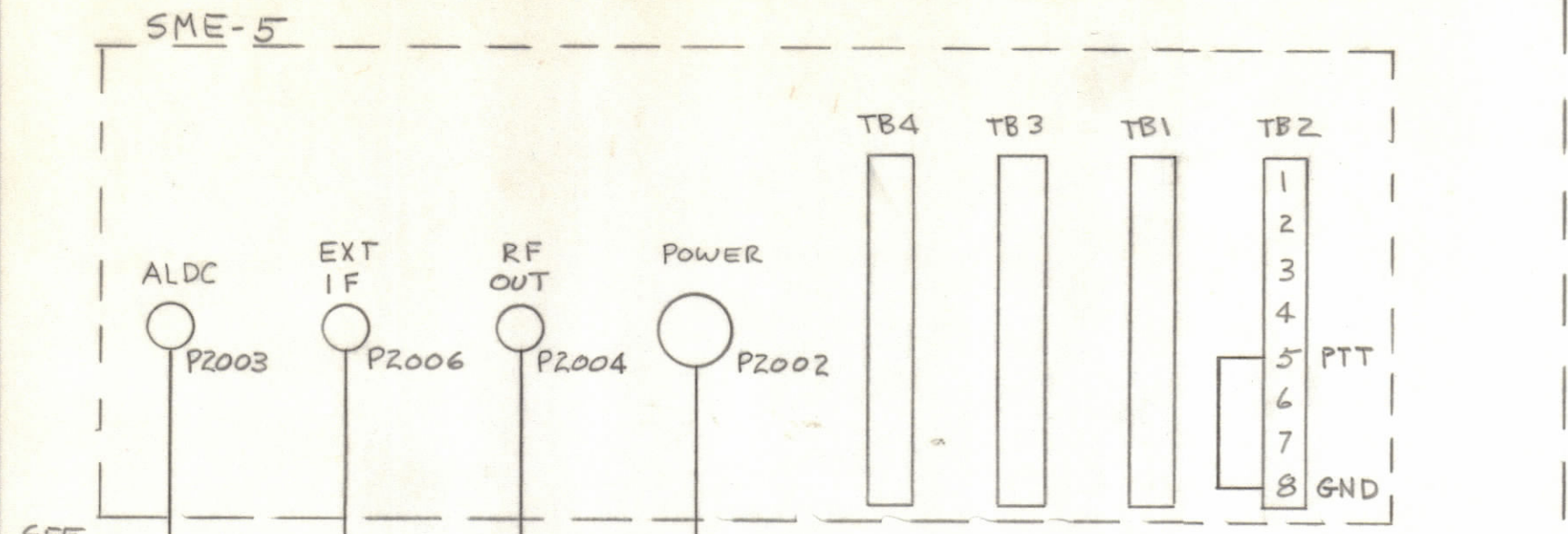


REVISIONS					DATE	APPROVED
E.M.N.NO	DRAFT	CHKD	ZONE	LTR	DESCRIPTION	
	①			②	ORIGINAL RELEASE FOR PRODUCTION	9/21/70



SEE CK1777 SH. 4

LAST SYMBOLS

P915	J2006	A3003
W902	P2006	J3005
	W2003	S3003
		W3003
		XA3003

MCTM-10KE		BMA 44Z
QTY / UNIT	MODEL USED ON	ASS'Y NO.
APPLICATION		
CODE		

NOTICE TO PERSONS RECEIVING THIS DRAWING

THE TECHNICAL MATERIEL CORPORATION claims proprietary right in the material disclosed herein. This drawing is issued in confidence for engineering information only and may not be reproduced or used to manufacture anything shown herein without permission from THE TECHNICAL MATERIEL CORPORATION to the user. This drawing is loaned for mutual assistance and is subject to recall at any time.

UNLESS OTHERWISE SPECIFIED DIMENSIONS ARE IN INCHES AND INCLUDE CHEMICALLY APPLIED OR PLATED FINISHES

TOLERANCES ON

DECIMALS	FRACTIONS
.X ± .05	± 1/64
.XX ± .01	ANGLES
.XXX ± .005	± 0° -30'

QTY. REQ.	ITEM	PART NO.	DESCRIPTION	SYMBOL
BUPETI LIST OF MATERIAL				
THE TECHNICAL MATERIEL CORP. MAMARONECK, NEW YORK				
DIAG. SCHEMATIC				
CUSTOMER SPECIFICATION MODIFICATION				
MATERIAL		FINISH		
SIZE	CODE	IDENT NO.	DWG NO.	ISSUE
C	82679	CK1842		①
SCALE			SHEET	OF

CK1842