

H	CHANGES MADE AS PER QA LIST NO. 0351 (6-7-73)	ESF	11/30/72
J	CHANGES PER ASCO DWG. H5247-786 REV. B	EMF	7/30/73
K	DELETED DIODE, ALTERNATOR FIELD	EMF	11/1/73

REVISIONS				
ZONE	LTR	DESCRIPTION	DATE	DRAFT
B		ENGINEERING CHANGE	2-7-73	CWF
C		FAA COMMENTS	3/19/73	EMF
D		FAA FIRST ARTICLE	4/28/73	EMF
E		AS BUILT	5/4/73	EMF
F		ENGINEERING CHANGE	5/10/73	EMF
G		FAA COMMENTS	5/19/73	EMF

NOMENCLATURE

ACT	ACTUATOR, GOVERNOR	NL	NORMAL POWERLINE
AM	AC AMMETER	NLTS	NO LOAD TEST SWITCH (I-NO, I-NC)
AMS	AMMETER SWITCH	OCR	OVERCRANK RELAY (I-NO, I-NC)
ASS	AIR SHUTDOWN SOLENOID	OCL	OVERCRANK LIGHT (RED)
AVA	AUTOMATIC VOLTAGE ADJUST	OCT	OVERCRANK TIMER RELAY (I-NO)(TO 60 SEC.)
BCO	BATTERY CHARGER OVERLOAD BREAKER 10A	OLX	AUXILIARY PILOT RELAY (3-NO, I-NC)
BCS	BATTERY CHARGER SWITCH (2 POLE)	OPI	OIL PRESSURE INTERLOCK SWITCH (I-NC)(OPEN 4 PSI)
BCT	BATTERY CHARGER TIMER (I-NC),(TO 1 HOUR)	OPL	OIL PRESSURE LIGHT (RED)
BCX	BATTERY CHARGER AUXILIARY RELAY (2-NO, I-NC)	OPR	OIL PRESSURE RELAY (I-NO, I-NC)
BEC	EQUALIZING CHARGE PUSHBUTTON (MOMENTARY)	OPS	OIL PRESSURE SWITCH (I-NC)(CLOSE BELOW 20 PSI)
BTS	BATTERY CHARGER TEST SWITCH (I-NC)	OPT	OIL PRESSURE TIMER RELAY (I-NO)(TO 60 SEC.)
C	CAPACITOR	OPX	OIL PRESSURE AUXILIARY RELAY (2-NO)
CB	CIRCUIT BREAKER, GENERATOR 200A	OSL	OVERSPEED LIGHT (RED)
CI	CRANKING INTERRUPTER (I-NC, TO-60 SEC.)	OSR	OVERSPEED RELAY (2-NO, I-NC)
CS	CENTRIFUGAL SWITCH (I-NO, I-NC)(OPEN AT 600 RPM)	OSS	OVERSPEED SWITCH (I-NO)(CLOSE 2160 RPM)
CT1, 2, 3	CURRENT TRANSFORMERS	OTL	OVER TEMPERATURE LIGHT (RED)
CT4	CROSS CURRENT COMPENSATION TRANSFORMER	OTR	OVER TEMPERATURE RELAY (I-NO, I-NC)
D	DIODE OR RECTIFIER	OTS	OVER TEMPERATURE SWITCH (I-NO)(CLOSE 225°-230°F)
DAR	DROOP ADJUST RHEOSTAT	PI	PLUG, GOVERNOR
DCA	DC AMMETER	PS	PARALLELING SWITCH (I-POLE)
DCL	DC CONTROL INDICATOR LIGHT (GREEN)	PX	BATTERY CHARGER POWER RELAY (2-NO)
ECT	EQUALIZING CHARGE TIMER (I-NC)(TO 8 HOURS)	R	RESISTOR
ELT	EXTENDED LOAD TEST RELAY (I-NO, I-NC)	SC	STARTING MOTOR CONTACTOR (I-NO)
ELS	EXTENDED LOAD STOP SWITCH (I-NO, I-NC)	SCX	STARTING CONTACTOR AUXILIARY RELAY (2-NO, I-NC)
ELTL	EXTENDED LOAD TEST LIGHT (AMBER)	SDT	SHUTDOWN TIMER (I-NO)(TO 3 MIN)
ESCS	EMERGENCY STOP AND CONTROL CUTOFF SWITCH	SOL	STARTING SOLENOID
ETM	ELAPSED TIME METER	SRTS	SAFETY RESET AND LAMP TEST SWITCH (4-NC, 4-NO)
FAR	FREQUENCY ADJUST RHEOSTAT	TB	TERMINAL BOARD
FM	FREQUENCY METER	TH	THERMOSTAT, IMMERSION HEATER
FR	FIELD RECTIFIER	TS	TRANSFER SWITCH (3-NO, 3-NC), AUX. SW (6-NO, 2-NC)
FS	FUEL SOLENOID (FUEL RACK CONTROL)	TVR	TEMPERATURE COMPENSATED VOLTAGE SENSING RELAY (I-NC)
FSD	FREQUENCY SENSING DEVICE (I-NO)	TX	TRANSFORMER, BATTERY CHARGER- 240/38V-305VA
FU	FUSE	VFS	VOLTAGE AND FREQUENCY METER
IH	IMMERSION HEATER	VR	VOLTAGE REGULATOR
IHS	IMMERSION HEATER SWITCH (2 POLE)	VRS	VOLTAGE REGULATOR SWITCH
IM	INPHASE MONITOR		
LB	LOAD TEST JACKS		
LC	LOADBANK CONTACTOR (4-NO)		
LCS	LOADBANK CONTACTOR SWITCH (I-NO, I-NC)		
LTS	LOAD TEST SWITCH (I-NC, I-NO)		
M	MOTOR, TD TIMER		
MVA	MANUAL VOLTAGE ADJUST		
N	NEUTRAL		
CRH	COMPENSATION RHEOSTAT CROSS CURRENT		
GCB	GOVERNOR CONTROL BOX		

ADDITIONAL TRANSFER SWITCH NOMENCLATURE

AR	LOW VOLTAGE IM BYPASS AUXILIARY RELAY
CR	TRANSFER TIME DELAY RELAY (I-NO, I-NC)(TD. 2 SEC.)
1, 2, 3PR	POTENTIAL RELAYS (I-NO)
4PR	VOLTAGE FREQUENCY RELAY (I-NO, 2-NC)
TDR	TRANSFER TIME DELAY TIMER (3-30 MIN.)(I-NO, I-NC)
TR	TRANSFER RELAY (3-NO, 3-NC)(1 SEC. TIME DELAY)
TC	TIMER CLUTCH, TD TIMER

WIRE COLOR CODE

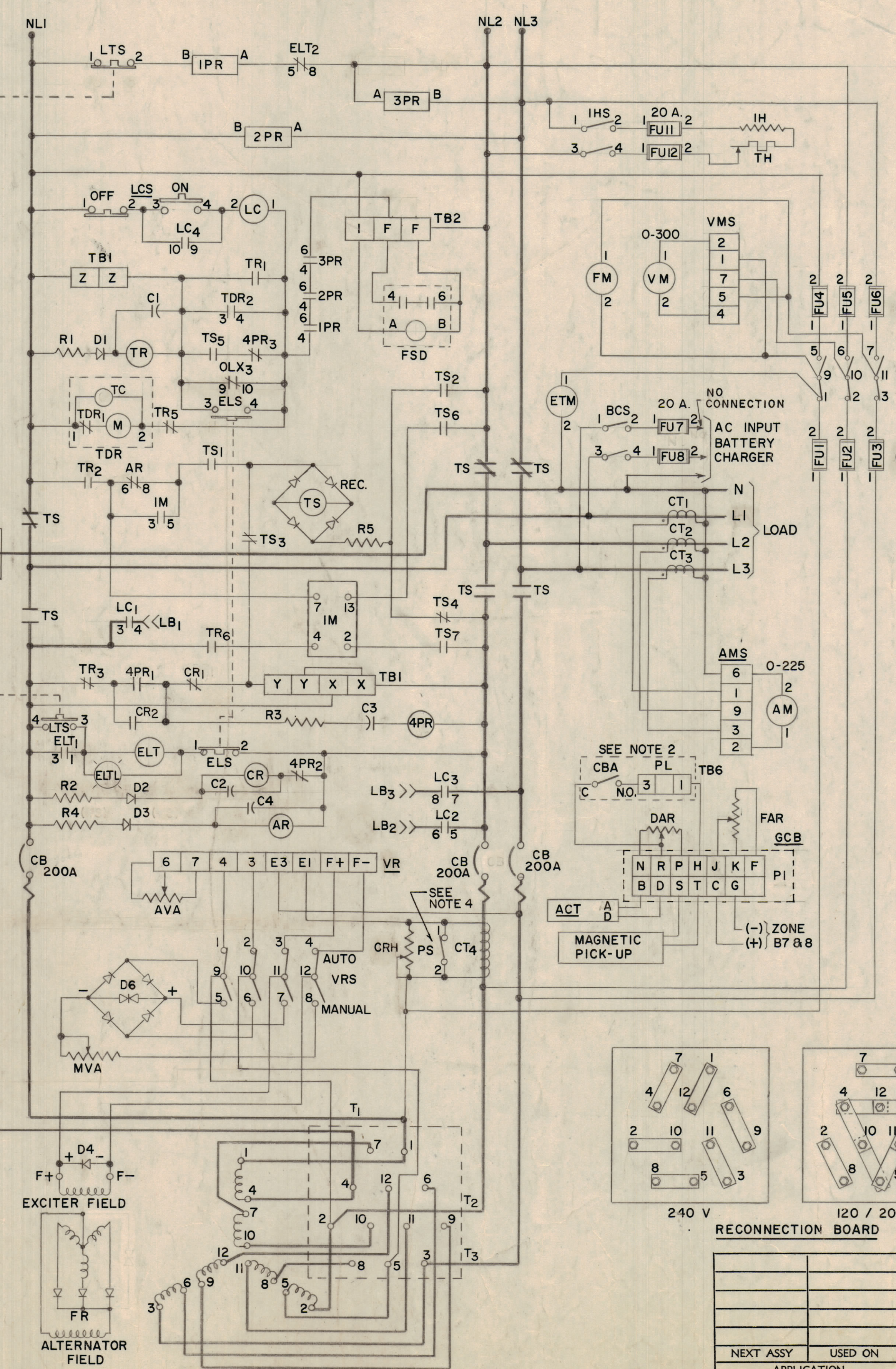
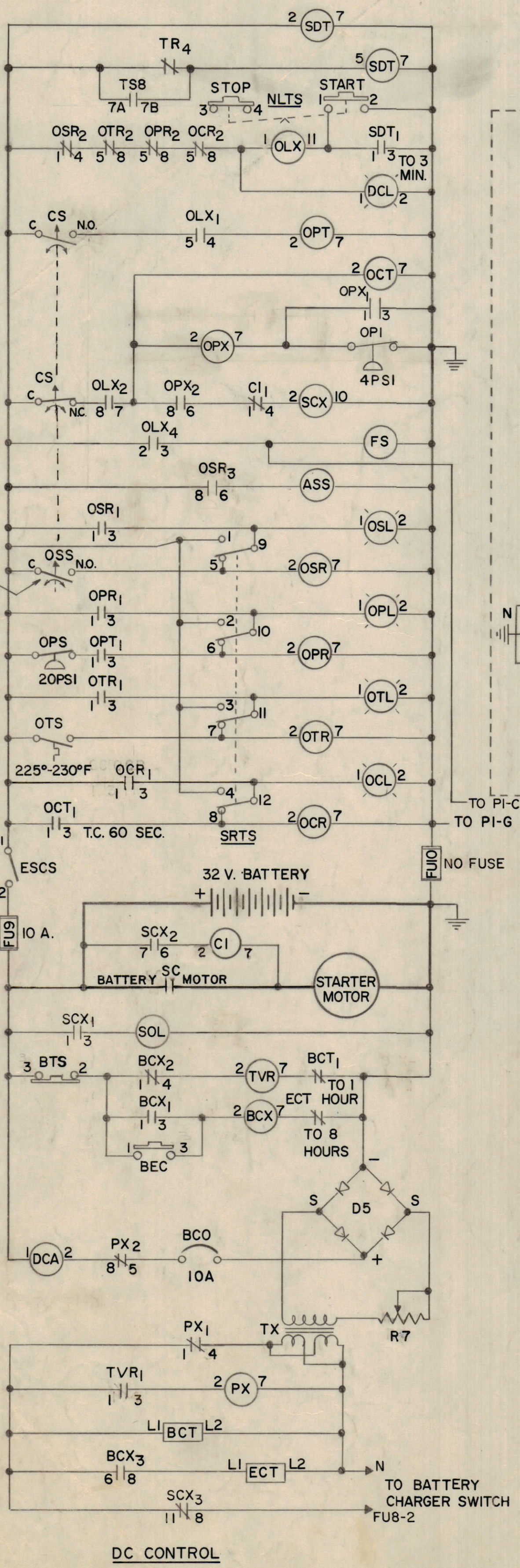
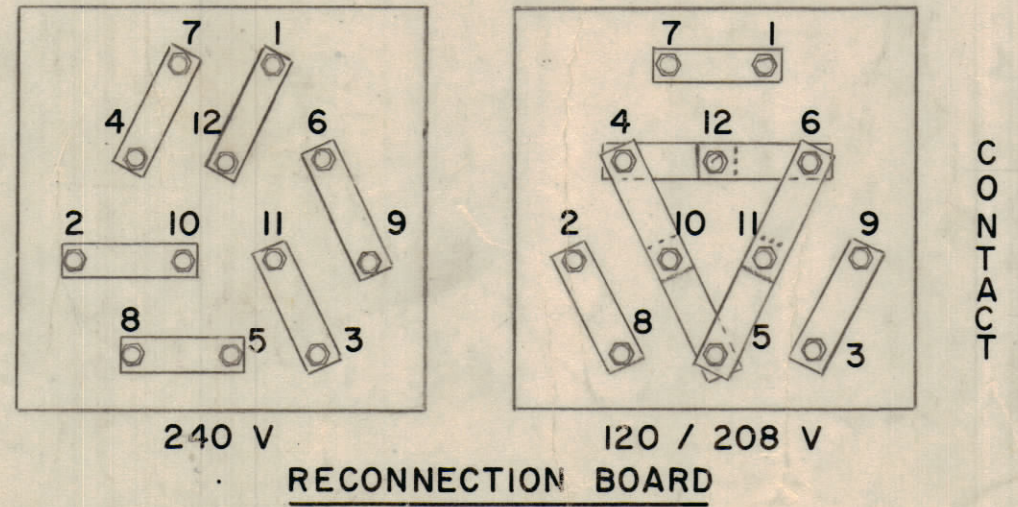
O-ORANGE-VOLTAGE REGULATOR CIRCUITS.
W-WHITE-GENERAL CONTROL CIRCUITS
Y-YELLOW-INSTRUMENT CIRCUITS
G-GREEN-CHARGING CIRCUITS
R-RED-PROTECTIVE CIRCUITS
B-BLACK-POWER & BATTERY CABLES

TERMINAL BOARDS

LB-LOAD BANK
TB2-F-FREQUENCY SENSING DEVICE
XX-BYPASS SWITCH INTERLOCK
TBI-YY-ALARM RELAY CONNECTION
ZZ-LOAD DROPPING RELAY

SWITCH LEGEND

	POSITION			POSITION			
	1	2	3	OFF	1	2	3
CONTACT		X-X			X		
	X-X		X-X			X	
			X-X		X-X		
	X-X	X-X				X-X	
	X-X	X-X	X-X				
	X-X	X-X	X-X				
	X-X	X-X	X-X				



INTERPRET DRAWING PER LISTED DOCUMENTS		UNLESS OTHERWISE SPECIFIED DIMENSIONS ARE IN INCHES AND INCLUDE CHEMICALLY APPLIED OR PLATED FINISHES REMOVE ALL BURRS AND SHARP EDGES		DRAWN MITCH DATE 12-15-72		THE TMC SYSTEMS AND POWER CORPORATION SPRINGFIELD, VIRGINIA	
DIMENSIONING MIL-STD-8 SURFACE ROUGHNESS MIL-STD-10 ABBREVIATIONS MIL-STD-12 ELECTRONIC SYMBOLS MIL-STD-15 WELDING SYMBOLS JAN-STD-19		TOLERANCES ON FRACTIONS ANGLES DECIMALS		CHECKED DATE 6-11-73		ELECTRICAL SCHEMATIC DIAGRAM FOR 50 KW AUTOMATIC DIESEL ENGINE - GENERATOR SET	
NEXT ASSY USED ON APPLICATION		MATERIAL		D. ENG. DATE		SIZE CODE IDENT NO DWG. NO. CK1804	
NOTICE TO PERSONS RECEIVING THIS DRAWING THE TMC SYSTEMS AND POWER CORPORATION claims proprietary right in the material disclosed herein. This drawing is issued in confidence for engineering information only and may not be reproduced or used to manufacture anything shown hereon without permission from THE TMC SYSTEMS AND POWER CORPORATION to the user. This drawing is loaned for mutual assistance and is subject to recall of any time.		FINISH		P. ENG. DATE		SCALE	
				P. MGR. DATE		SHEET 1 OF	