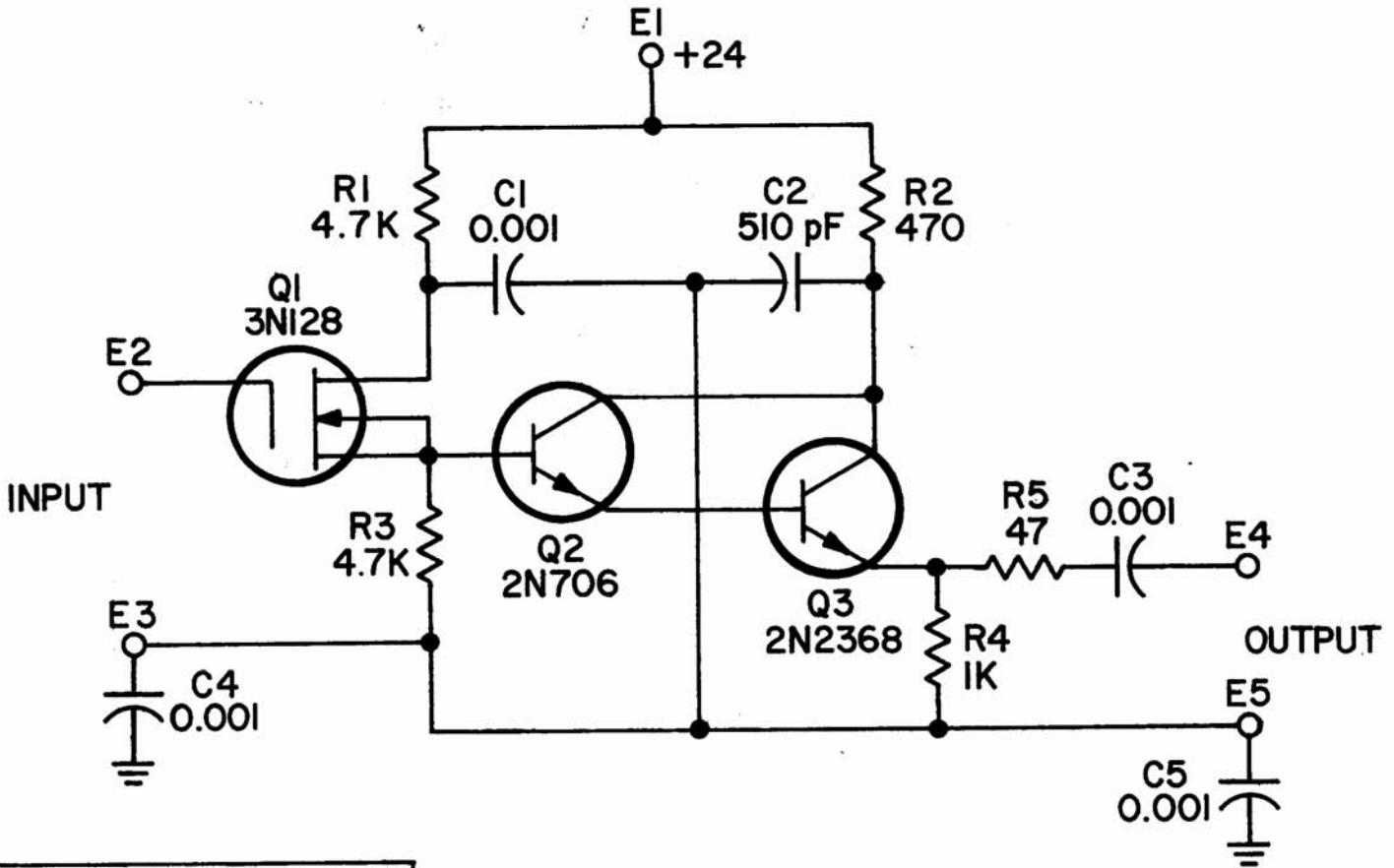


APPLICATION			REVISIONS						
QTY	MODEL USED ON	ASS'Y NO.	LTR	DESCRIPTION	DATE	E.M.N.NO	DRAFT	CHKD	APPD
1	HFRR-4	A4823	X	EXP. RELEASE	4/20/70			LL	
			X1	Q3 2N2368 WAS Q32N236B	5/7/70			LL	
			X2	A4823 WAS A4853 & PICT. REV.	5/26/70			LL	9013
				ORIGINAL RELEASE	7/10/70			W	



SYMBOLS	
LAST	MISSING
C5	
Q3	
R5	

NOTES: UNLESS SPECIFIED OTHERWISE
ALL RESISTOR VALUES IN OHMS
ALL CAPACITOR VALUES IN MICROFARADS

UNLESS OTHERWISE SPECIFIED
DIMENSIONS ARE IN INCHES
AND INCLUDE CHEMICALLY APPLIED
OR PLATED FINISHES

DECIMALS	FRACTIONS
.X ± .05	1/64
.XX ± .01	TOLS. ANGLES
.XXX ± .005	0° - 30'

MATERIAL

FINISH

REQ'D	ITEM	PART NUMBER	LIST
	FINAL APPROVAL	DATE	
	MECH. DES.	DATE	
	ELECT. DES.	DATE	
	CHECKED	DATE	
	DRAWN	DATE	



MAMARONECK, NEW YORK

DIAGRAM SCHEMATIC BUFFER AMPLIFIER

NOTICE TO PERSONS RECEIVING THIS DRAWING
THE TECHNICAL MATERIEL CORPORATION claims proprietary right in the material disclosed hereon. This drawing is issued in confidence for engineering information only and may not be reproduced or used to manufacture anything shown hereon without permission from THE TECHNICAL MATERIEL CORPORATION to the user. This drawing is loaned for mutual assistance and is subject to recall at any time.

SIZE	CODE IDENT. NO.	DWG NO.	ISSUE
A	82679	CK 1747	1
SCALE		SHEET	OF