

5

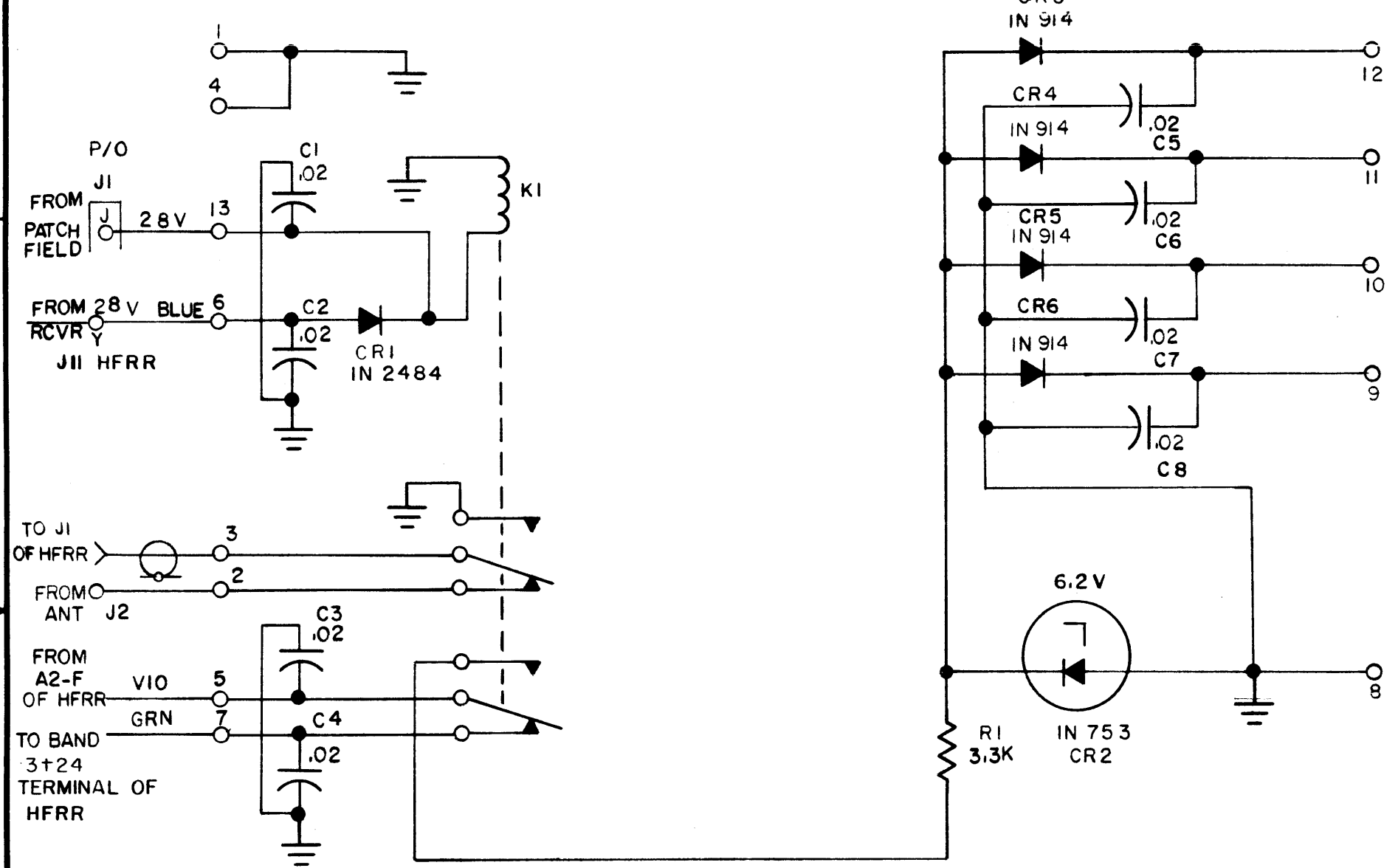
4

3

2

1

REVISIONS						
ZONE	LTR	DESCRIPTION	DATE	E.M.N.NO	DRAFT	CHKD APPD
	Ø	ORIGINAL RELEASE	5/24/72		CS	



CHANNELS	
A	Δ1
B	B1
C	A2
D	B2
E	P/O J1

1	HFRR-4	A-4839
QTY / UNIT	MODEL USED ON	ASS'Y NO.
APPLICATION		
	CODE	

NOTICE TO PERSONS RECEIVING THIS DRAWING
 THE TECHNICAL MATERIEL CORPORATION claims proprietary right in the material disclosed hereon. This drawing is issued in confidence for engineering information only and may not be reproduced or used to manufacture anything shown hereon without permission from THE TECHNICAL MATERIEL CORPORATION to the user. This drawing is loaned for mutual assistance and is subject to recall at any time.

UNLESS OTHERWISE SPECIFIED DIMENSIONS ARE IN INCHES AND INCLUDE CHEMICALLY APPLIED OR PLATED FINISHES	
DECIMALS .X ± .05 .XX ± .01 .XXX ± .005	FRACTIONS 1/64 ANGLES 0° .30'
MATERIAL	
FINISH	

REQ'D	ITEM	PART NUMBER	DESCRIPTION	SYM.
LIST OF MATERIAL				
FINAL APPROVAL <i>[Signature]</i> DATE 5/9/72				
MECH. DES.				
ELECT. DES. <i>[Signature]</i> DATE 6-26-72				
CHECKED				
DRAWN <i>[Signature]</i> DATE 6/22/72				
THE TECHNICAL MATERIEL CORP. MAMARONECK, NEW YORK				
MUTING & FRONT END PROTECTION KIT INSTALLED IN NACOM COMM. SYSTEM DDR - 10				
SIZE	CODE IDENT. NO.	DWG NO.	ISSUE	
B	82679	CK 1786	Ø	
SCALE			SHEET OF	

5

4

3

2

1