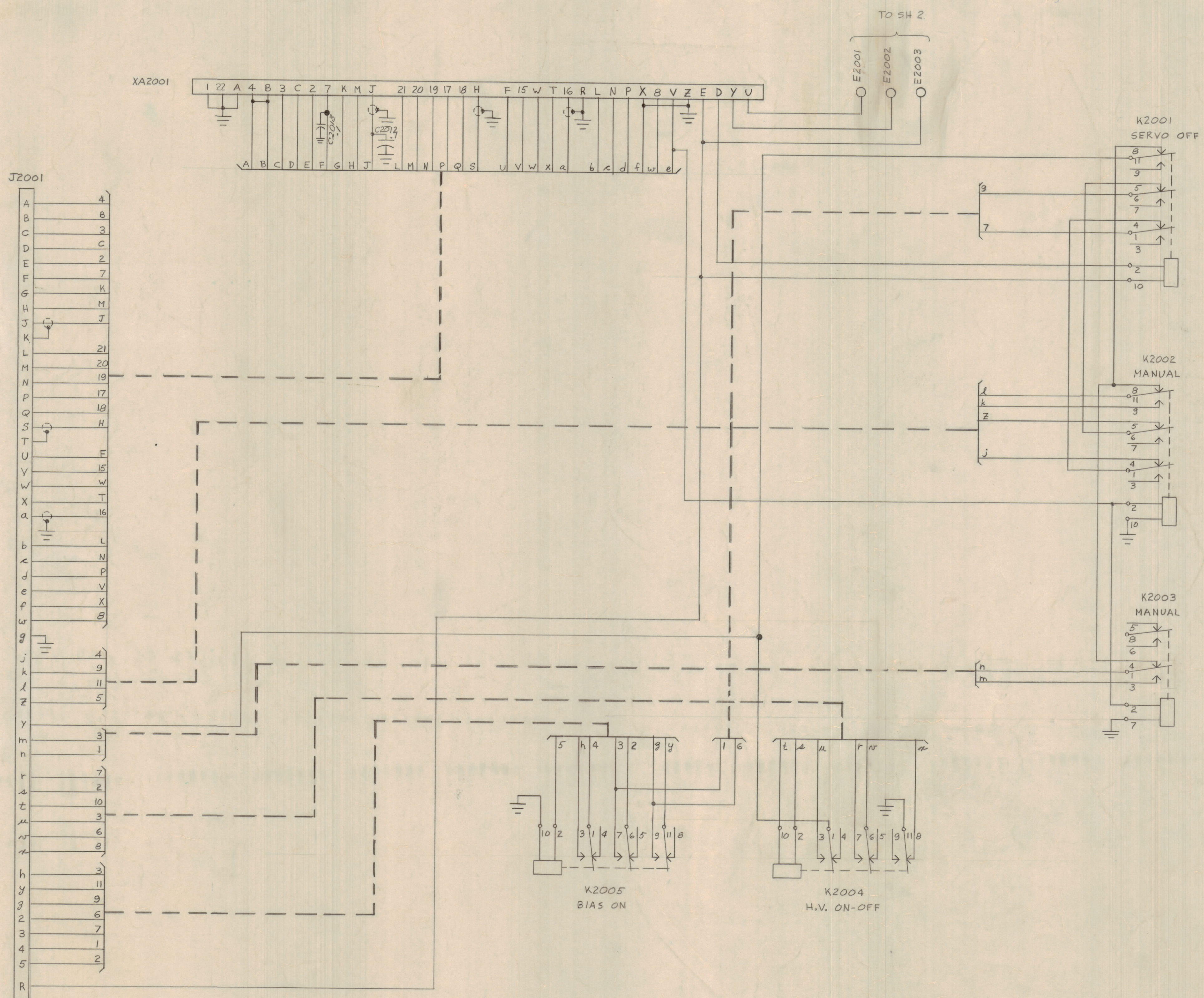


REVISIONS							
E.M.N.O.	DRAFT	CHKD	ZONE	LTR	DESCRIPTION	DATE	APPROVED
				X1	K2003-7 WENT TO J2001-R, K2001-6 WENT TO K2005-2, K2003-9 WENT TO J2001-Y, K2001-11 WENT TO K2003-4	17J5/70	
				Y1	ADD C2012	17J5/70	
	(U)			Ø	ORIGINAL RELEASE FOR PRODUCTION	8/5/70	
15589	GE	(U)		A	PICTORIAL. CHG. IN AREA B5	9/28/70	F8 (U)
20453	GE			B	ADD C2013 TO PIN 7 OF AX2001	1/12/72	SJ

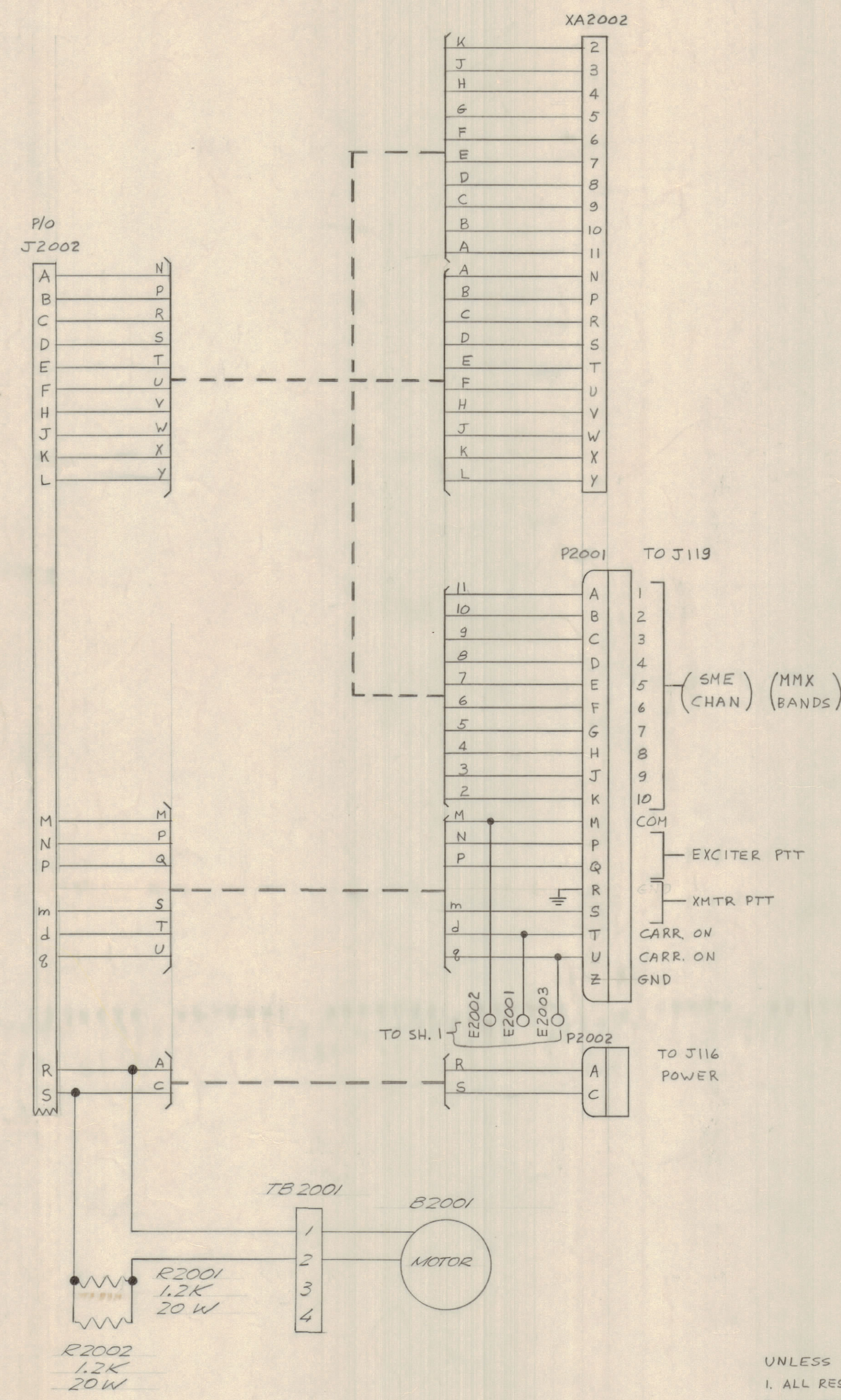


- LAST SYMBOLS
- A2002 P2005
 - C2013 S2001
 - E2008 W2002
 - J2005 XK2005
 - K2005 XA2002
 - L2001 TB2001
 - B2001 R2002
- MISSING SYMBOLS
- A2001-2
 - E2007

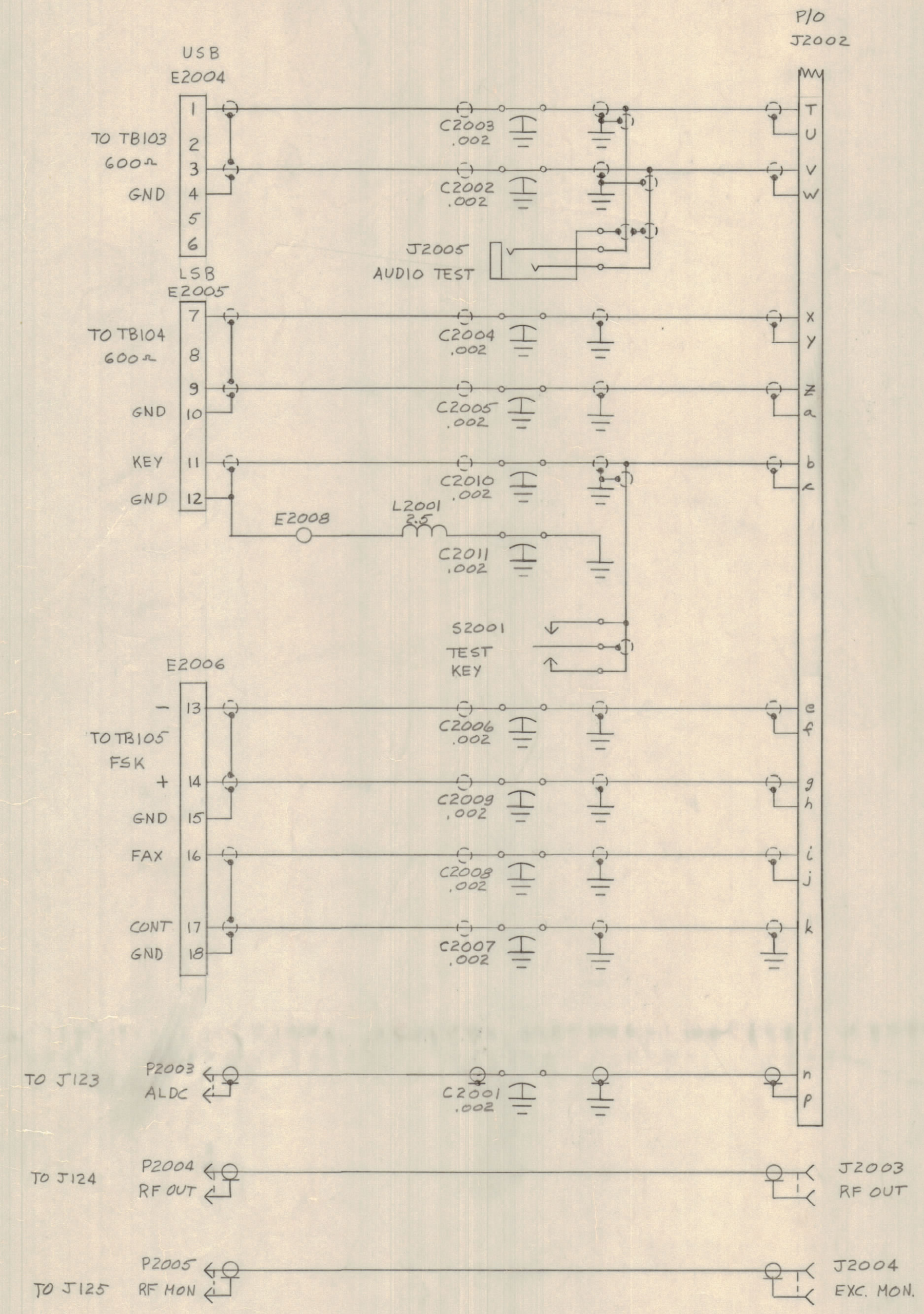
QTY / UNIT	HFTM-10KJ	AX5110-2
	MODEL USED ON	ASS'Y NO.
APPLICATION		
CODE		
<small>NOTICE TO PERSONS RECEIVING THIS DRAWING</small> <small>THE TECHNICAL MATERIEL CORPORATION claims proprietary right in the material disclosed hereon. This drawing is issued in confidence for engineering information only and may not be reproduced or used to manufacture anything shown hereon without permission from THE TECHNICAL MATERIEL CORPORATION to the user. This drawing is loaned for mutual assistance and is subject to recall at any time.</small>		

QTY. REQ.	ITEM	PART NO.	DESCRIPTION	SYMBOL
BUDETTI LIST OF MATERIAL				
THE TECHNICAL MATERIEL CORP. MAMARONECK, NEW YORK				
DIAGRAM SCHEMATIC EXCITER DRAWER AX5110-2				
MATERIAL		SIZE	CODE IDENT NO.	DWG NO.
FINISH		D	82679	CK1775
		SCALE	SHEET 1 OF 2	

REVISIONS							
E.M.N.NO	DRAFT	CHKD	ZONE	LTR	DESCRIPTION	DATE	APPROVED
				X1	SEE SH 1	26 Jan 70	
				X2	See SH 1	17 Jul 70	
					ORIGINAL RELEASE FOR PRODUCTION	8/5/70	
15589	GE	(J)		A	ADDED B2001 TB2001 R2001 R2002	9/28/70	FF(A)
20453	GE			B	SEE SHEET 1	1/12/72	df



UNLESS OTHERWISE SPECIFIED,
 1. ALL RESISTANCE VALUES IN OHMS 1/2W
 2. ALL CAPACITANCE VALUES IN MICROFARADS.
 3. ALL INDUCTANCE VALUES IN MILLIHENRIES.



1	HFTM-10KJ	AX5110-2
QTY / UNIT	MODEL USED ON	ASS'Y NO.
APPLICATION		
CODE		
MATERIAL		
FINISH		

UNLESS OTHERWISE SPECIFIED DIMENSIONS ARE IN INCHES AND INCLUDE CHEMICALLY APPLIED OR PLATED FINISHES

TOLERANCES ON
 DECIMALS .X ± .05
 .XX ± .01
 .XXX ± .005

FRACTIONS ± 1/64
 ANGLES ± 0° -30'

QTY. REQ.	ITEM	PART NO.	DESCRIPTION	SYMBOL
BUDETTI LIST OF MATERIAL				
FINAL APPROVAL		DATE	THE TECHNICAL MATERIEL CORP.	
MECH. DES.		DATE	MAMARONECK, NEW YORK	
ELECT. DES.		DATE	DIAGRAM SCHEMATIC	
CHECKED		DATE	EXCITER DRAWER AX5110-2	
DRAWN		DATE	SIZE CODE IDENT NO. DWG NO. ISSUE	
			D 82679	CK1775 B
SCALE			SHEET 2 OF 2	

NOTICE TO PERSONS RECEIVING THIS DRAWING
 THE TECHNICAL MATERIEL CORPORATION claims proprietary right in the material disclosed hereon. This drawing is issued in confidence for engineering information only and may not be reproduced or used to manufacture anything shown hereon without permission from THE TECHNICAL MATERIEL CORPORATION to the user. This drawing is loaned for mutual assistance and is subject to recall at any time.