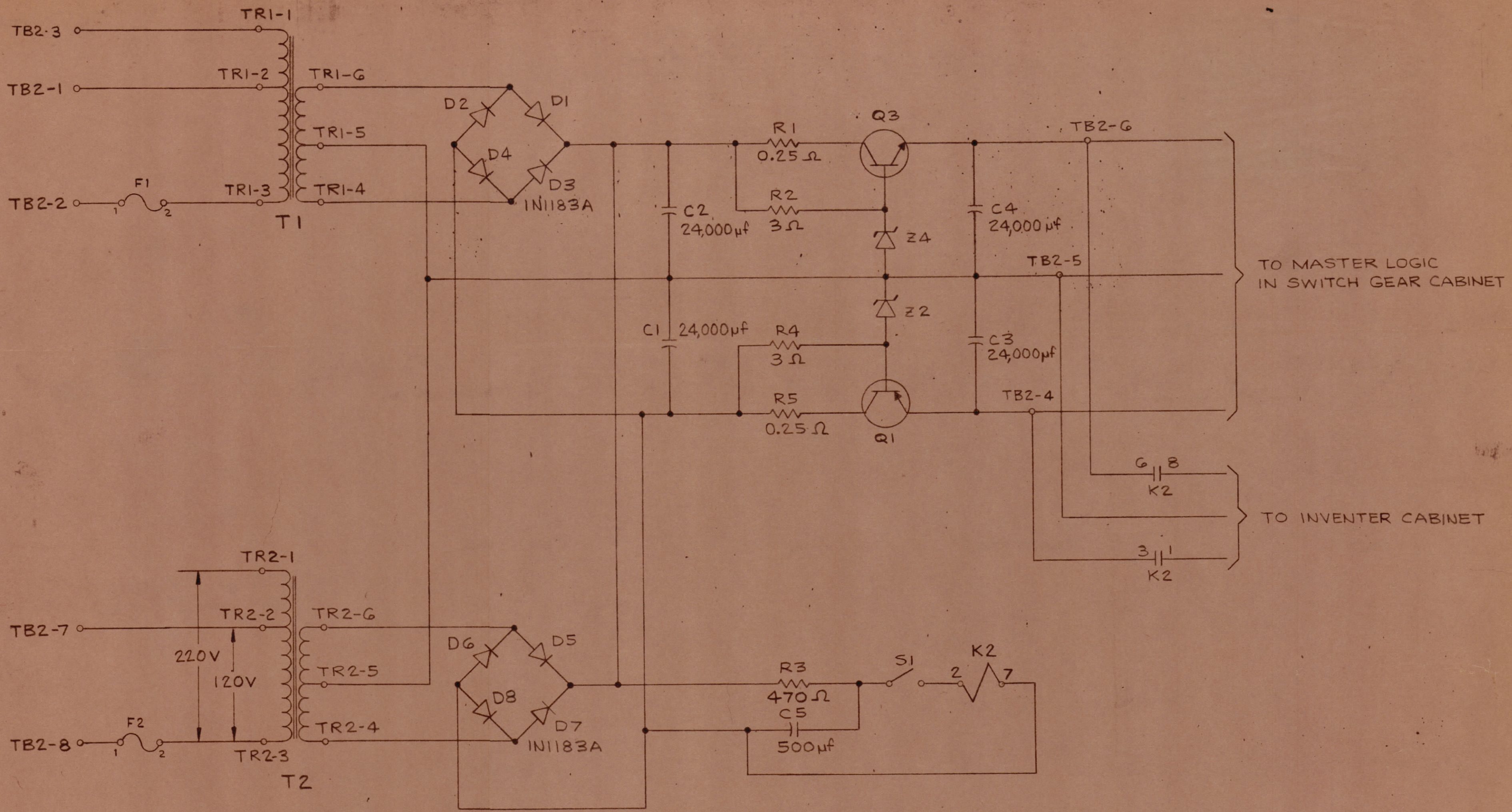


REVISIONS					
ZONE	LTR	DESCRIPTION	DATE	DRAFT	CHK'D APP'D
	A	REV. AS PER ECO No 49	4-7-71	RM	<i>[Signature]</i>



QTY REQ	QTY REQ	QTY REQ	ITEM	PART NO.	MANUFACTURER	DESCRIPTION	SYM

DIMENSIONING MIL - STD - 8 SURFACE ROUGHNESS MIL - STD - 10 ABBREVIATIONS MIL - STD - 12 ELECTRONIC SYMBOLS MIL - STD - 15 WELDING SYMBOLS JAN - STD - 19		INTERPRET DRAWING PER LISTED DOCUMENTS	UNLESS OTHERWISE SPECIFIED DIMENSIONS ARE IN INCHES AND INCLUDE CHEMICALLY APPLIED OR PLATED FINISHES REMOVE ALL BURRS AND SHARP EDGES	DRAWN SORENSEN CHECKED <i>[Signature]</i> D. ENG. D.W.D. P. ENG. P. MGR. CHIEF, ENG. DEPT.	DATE 12-09-70 DATE 12-11-70 DATE 12-11-70 DATE 12-11-70
NEXT ASSY USED ON APPLICATION		SNB50A22000	TOLERANCES ON FRACTIONS ANGLES DECIMALS _____ _____ _____	MATERIAL _____	DATE 12-11-70
NOTICE TO PERSONS RECEIVING THIS DRAWING THE TMC SYSTEMS AND POWER CORPORATION claims proprietary right in the material disclosed hereon. This drawing is issued in confidence for engineering information only and may not be reproduced or used to manufacture anything shown hereon without permission from THE TMC SYSTEMS AND POWER CORPORATION to the user. This drawing is loaned for mutual assistance and is subject to recall at any time.			FINISH _____		

THE TMC SYSTEMS AND POWER CORPORATION SPRINGFIELD, VIRGINIA			
LOGIC POWER SUPPLY SCHEMATIC DIAGRAM			
SIZE	CODE IDENT NO	DWG. NO.	REV
C	24146	CK1747	A
SCALE		SHEET	OF