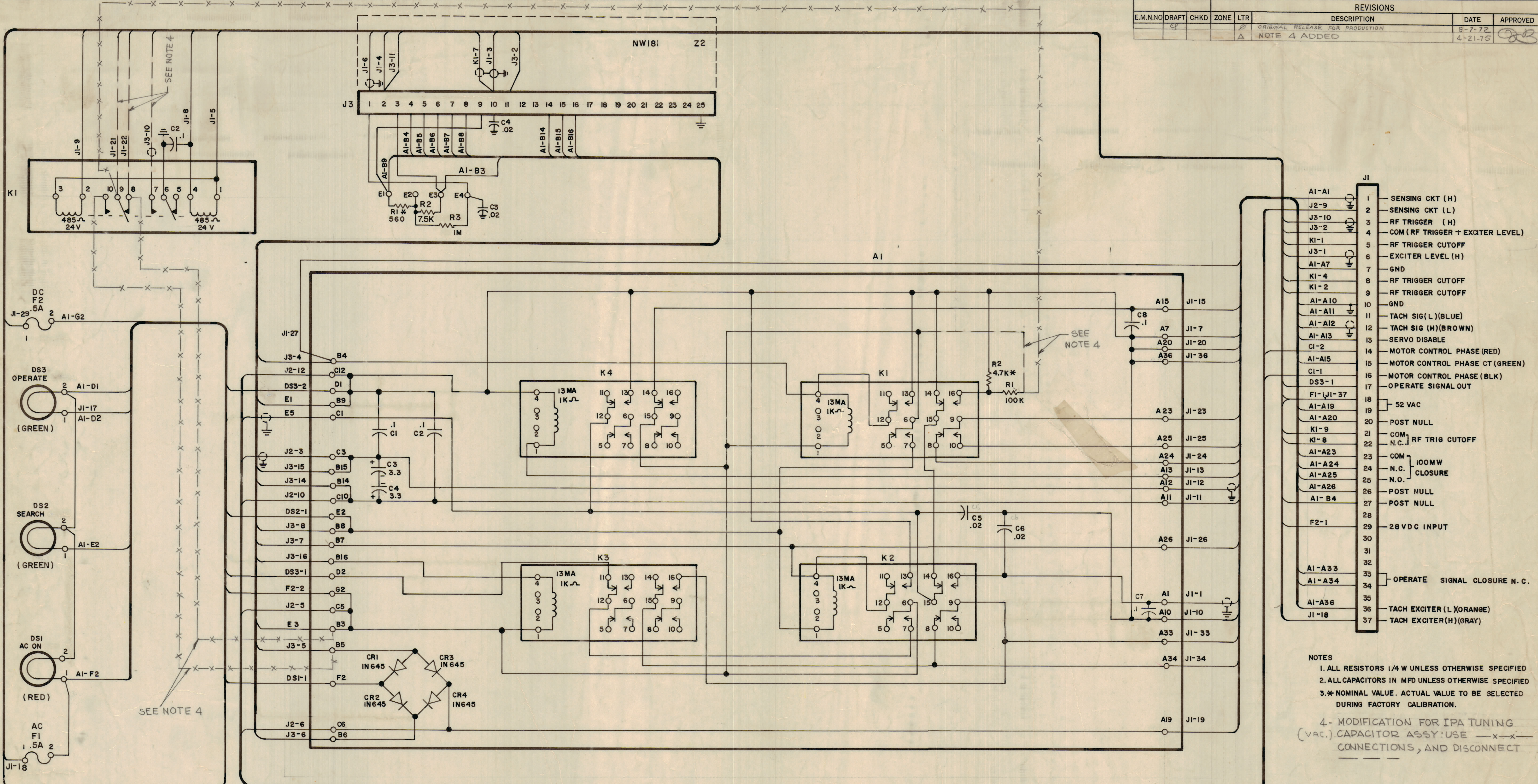


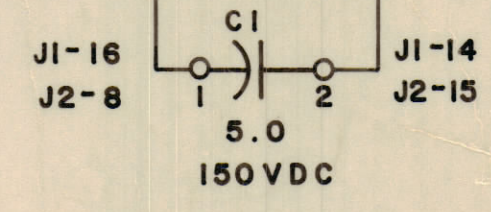
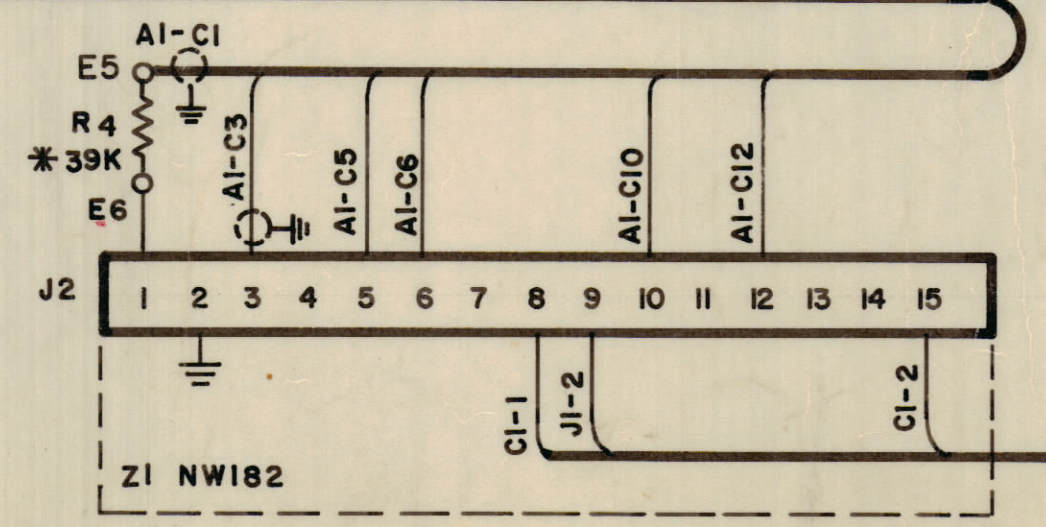
REVISIONS							
E.M.N.O.	DRAFT	CHKD	ZONE	LTR	DESCRIPTION	DATE	APPROVED
					ORIGINAL RELEASE FOR PRODUCTION	8-7-72	
					NOTE 4 ADDED	4-21-75	



- J1**
- 1 SENSING CKT (H)
 - 2 SENSING CKT (L)
 - 3 RF TRIGGER (H)
 - 4 COM (RF TRIGGER + EXCITER LEVEL)
 - 5 RF TRIGGER CUTOFF
 - 6 EXCITER LEVEL (H)
 - 7 GND
 - 8 RF TRIGGER CUTOFF
 - 9 RF TRIGGER CUTOFF
 - 10 GND
 - 11 TACH SIG (L) (BLUE)
 - 12 TACH SIG (H) (BROWN)
 - 13 SERVO DISABLE
 - 14 MOTOR CONTROL PHASE (RED)
 - 15 MOTOR CONTROL PHASE CT (GREEN)
 - 16 MOTOR CONTROL PHASE (BLK)
 - 17 OPERATE SIGNAL OUT
 - 18
 - 19 52 VAC
 - 20 POST NULL
 - 21 COM
 - 22 N.C.] RF TRIG CUTOFF
 - 23 COM
 - 24 N.C.] 100MW
 - 25 N.O.] CLOSURE
 - 26 POST NULL
 - 27 POST NULL
 - 28
 - 29 28 VDC INPUT
 - 30
 - 31
 - 32
 - 33
 - 34] OPERATE SIGNAL CLOSURE N.C.
 - 35
 - 36 TACH EXCITER (L) (ORANGE)
 - 37 TACH EXCITER (H) (GRAY)

- NOTES**
- ALL RESISTORS 1/4 W UNLESS OTHERWISE SPECIFIED
 - ALL CAPACITORS IN MFD UNLESS OTHERWISE SPECIFIED
 - * NOMINAL VALUE. ACTUAL VALUE TO BE SELECTED DURING FACTORY CALIBRATION.
 - MODIFICATION FOR IPA TUNING (VAC.) CAPACITOR ASSY: USE -x-x- CONNECTIONS, AND DISCONNECT

LAST SYMBOLS	
A1	Z2
C8	C4
CR4	DS3
K4	E6
R2	F2
	J3
	K1
	R4



APPLICATION		
QTY / UNIT	MODEL USED ON	ASS'Y NO.
	HFTA-10K ()	
	HFLA-10K	
CODE		
MATERIAL		
FINISH		

UNLESS OTHERWISE SPECIFIED DIMENSIONS ARE IN INCHES AND INCLUDE CHEMICALLY APPLIED OR PLATED FINISHES

TOLERANCES ON

DECIMALS	FRACTIONS
.X ± .05	± 1/64
.XX ± .01	ANGLES
.XXX ± .005	± 0° - 30'

QTY. REQ.	ITEM	PART NO.	DESCRIPTION	SYMBOL
LIST OF MATERIAL				
THE TECHNICAL MATERIEL CORP. MAMARONECK, NEW YORK				
DIAGRAM SCHEMATIC AMPLIFIER, SERVO (AZ119)				
SIZE		CODE IDENT NO.	DWG NO.	ISSUE
D		82679	CK 1681	A
SCALE		SHEET		OF

NOTICE TO PERSONS RECEIVING THIS DRAWING

THE TECHNICAL MATERIEL CORPORATION claims proprietary right in the material disclosed hereon. This drawing is issued in confidence for engineering information only and may not be reproduced or used to manufacture anything shown hereon without permission from THE TECHNICAL MATERIEL CORPORATION to the user. This drawing is loaned for mutual assistance and is subject to recall at any time.