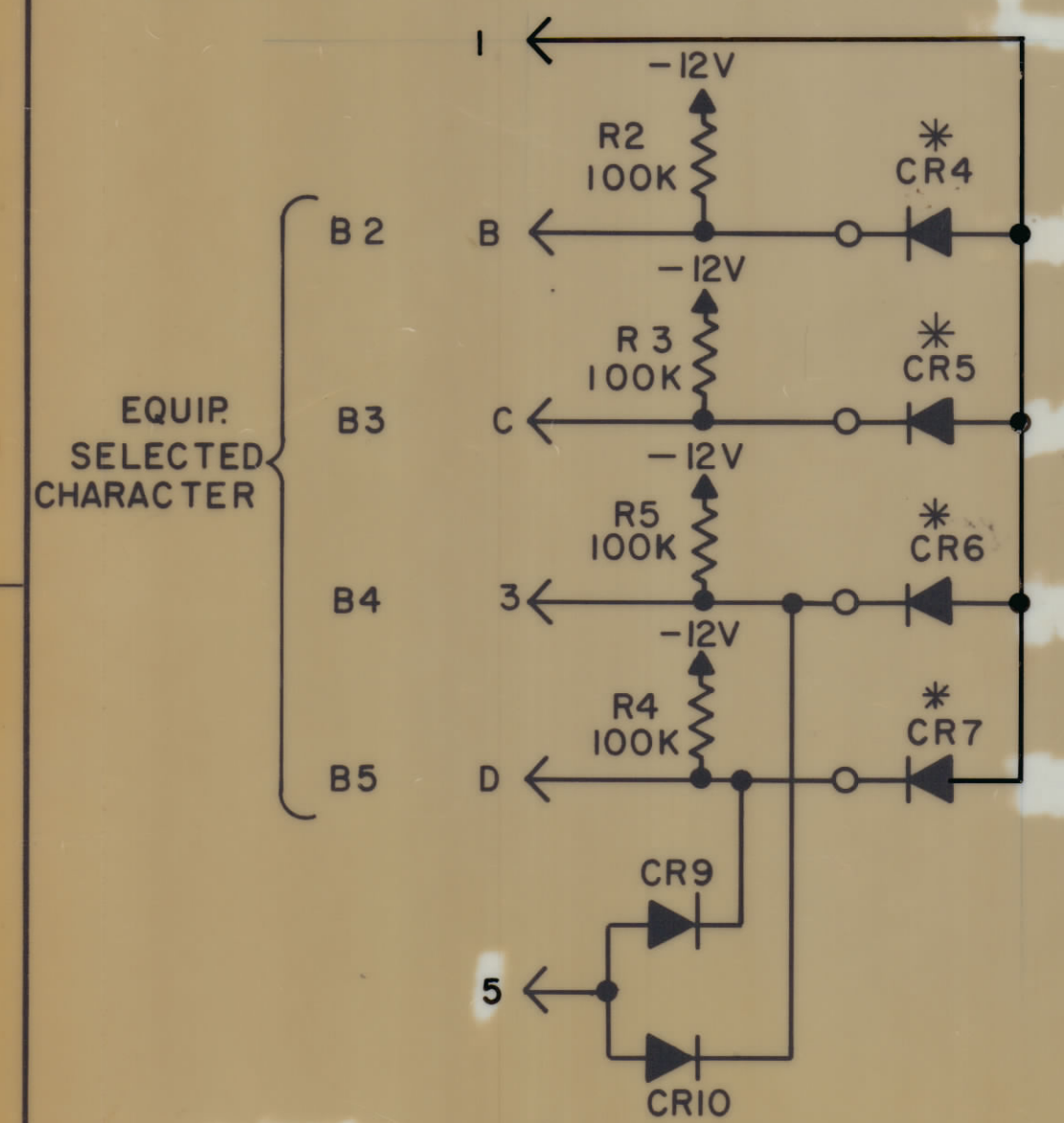
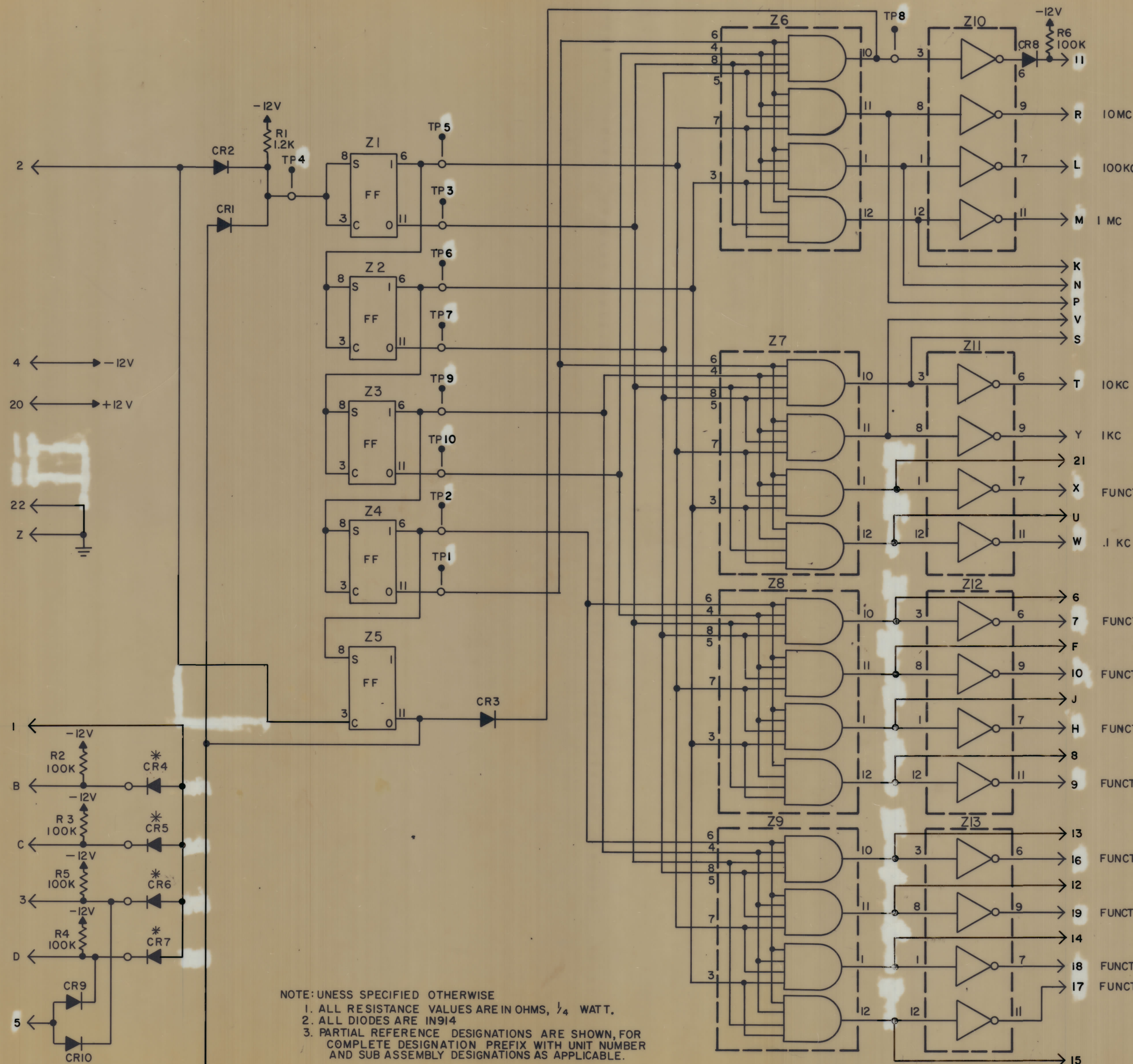


REVISIONS							
E.M.N.O	DRAFT	CHKD	ZONE	LTR	DESCRIPTION	DATE	APPROVED
	KD			X	EXP RELEASE	10/27/69	
	KD			X1	CR 4,5,6+7 WERE TIED TO PINE	1/15/70	
					ORIGINAL RELEASE		



NOTE: UNLESS SPECIFIED OTHERWISE
 1. ALL RESISTANCE VALUES ARE IN OHMS, 1/4 WATT.
 2. ALL DIODES ARE IN914
 3. PARTIAL REFERENCE DESIGNATIONS ARE SHOWN, FOR COMPLETE DESIGNATION PREFIX WITH UNIT NUMBER AND SUB ASSEMBLY DESIGNATIONS AS APPLICABLE.

* FOR EQUIPMENT CODED A THRU E USE THIS CHART FOR DIODE SELECTION

A THRU E	CR 4	CR 5	CR 6	CR 7
1				
2				
3				
4				
5				
6				

LAST SYMBOL	MISSING SYMBOL
CR10	
R6	
TP10	
Z13	

SYMBOL	PIN CONNECTION		
	+12V	-12V	GND
Z1 THRU Z5	10	2	5
Z6 THRU Z9		2	
Z10 THRU Z13	10		5

I	RTTD-5A	A4785
QTY / UNIT	MODEL USED ON	ASS'Y NO.
APPLICATION		
CODE		
NOTICE TO PERSONS RECEIVING THIS DRAWING		
THE TECHNICAL MATERIEL CORPORATION claims proprietary right in the material disclosed herein. This drawing is issued in confidence for engineering information only and may not be reproduced or used to manufacture anything shown hereon without permission from THE TECHNICAL MATERIEL CORPORATION to the user. This drawing is loaned for mutual assistance and is subject to recall at any time.		

TOLERANCES ON	
DECIMALS	FRACTIONS
.X ± .05	≅ 1/64
.XX ± .01	ANGLES
.XXX ± .005	≅ 0° -30'

PC517/A4785			
QTY. REQ.	ITEM	PART NO.	DESCRIPTION
De MARCO			
FINAL APPROVAL		DATE	LIST OF MATERIAL
MECH. DES		DATE	
ELECT. DES.		DATE	
CHECKED		DATE	THE TECHNICAL MATERIEL CORP. MAMARONECK, NEW YORK
DRAWN		DATE	
MATERIAL			DIAGRAM LOGIC SHIFT REGISTER
FINISH			
SIZE CODE IDENT NO. DWG NO.			ISSUE
D 82679 CK 1667			
SCALE NONE			SHEET OF

CK1667