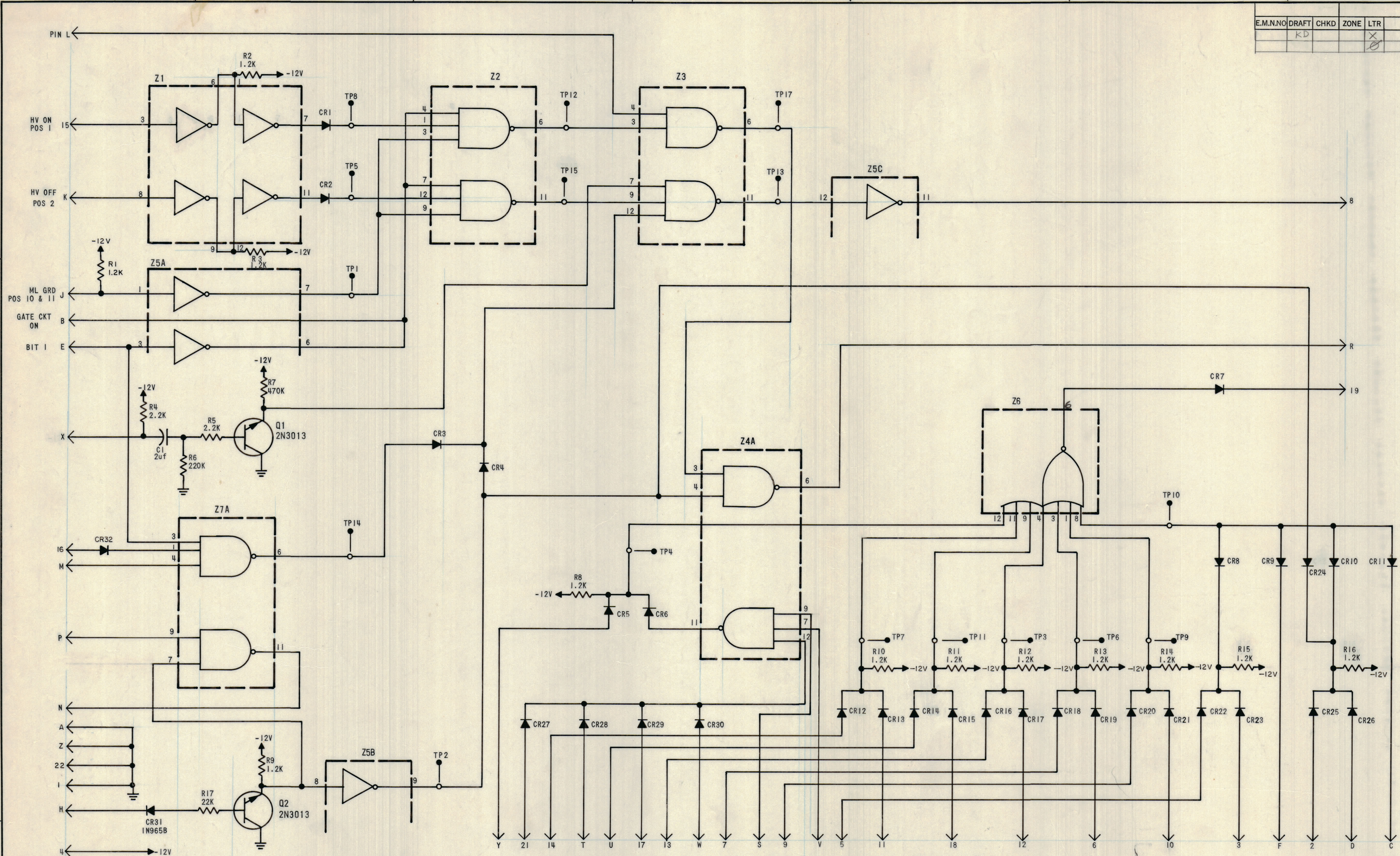


REVISIONS					
E.M.N.NO	DRAFT	CHKD	ZONE	LTR	
	KD			X	
DESCRIPTION				DATE	APPROVED
EXPERIMENTAL RELEASE				1/5/70	
ORIGINAL RELEASE					



UNLESS OTHERWISE SPECIFIED:
 1. ALL RESISTOR VALUES ARE IN OHMS, 1/4W.
 2. ALL DIODES ARE 1N914

MODULE VOLTAGE AND GRD CHART			
SYMBOL	+12V	-12V	GRD
Z1, Z5	10		5
Z2, 3, 4, 7	10	2	5
Z6	10	2	5

LAST SYMBOL	MISSING SYMBOLS
CR32 Q2 R17 TP17 Z6	TP16

RTTD-5A		
QTY / UNIT	MODEL USED ON	ASSY NO.
APPLICATION		
CODE		
MATERIAL		
FINISH		

UNLESS OTHERWISE SPECIFIED DIMENSIONS ARE IN INCHES AND INCLUDE CHEMICALLY APPLIED OR PLATED FINISHES

TOLERANCES ON
 DECIMALS .X ± .05
 .XX ± .01
 .XXX ± .005

FRACTIONS 1/64 ± 1/64
 ANGLES ± 0° -30'

PC516/A4784			
QTY. REQ.	ITEM	PART NO.	DESCRIPTION
LIST OF MATERIAL			
THE TECHNICAL MATERIEL CORP. MAMARONECK, NEW YORK			
DIAGRAM SCHEMATIC H.V. ON-OFF TRAN R.B.			
SIZE		CODE IDENT NO.	DWG NO.
D		82679	CK 1666
SCALE		SHEET OF	

NOTICE TO PERSONS RECEIVING THIS DRAWING
 THE TECHNICAL MATERIEL CORPORATION claims proprietary right in the material disclosed herein. This drawing is issued in confidence for engineering information only and may not be reproduced or used to manufacture anything shown hereon without permission from THE TECHNICAL MATERIEL CORPORATION to the user. This drawing is loaned for mutual assistance and is subject to recall at any time.