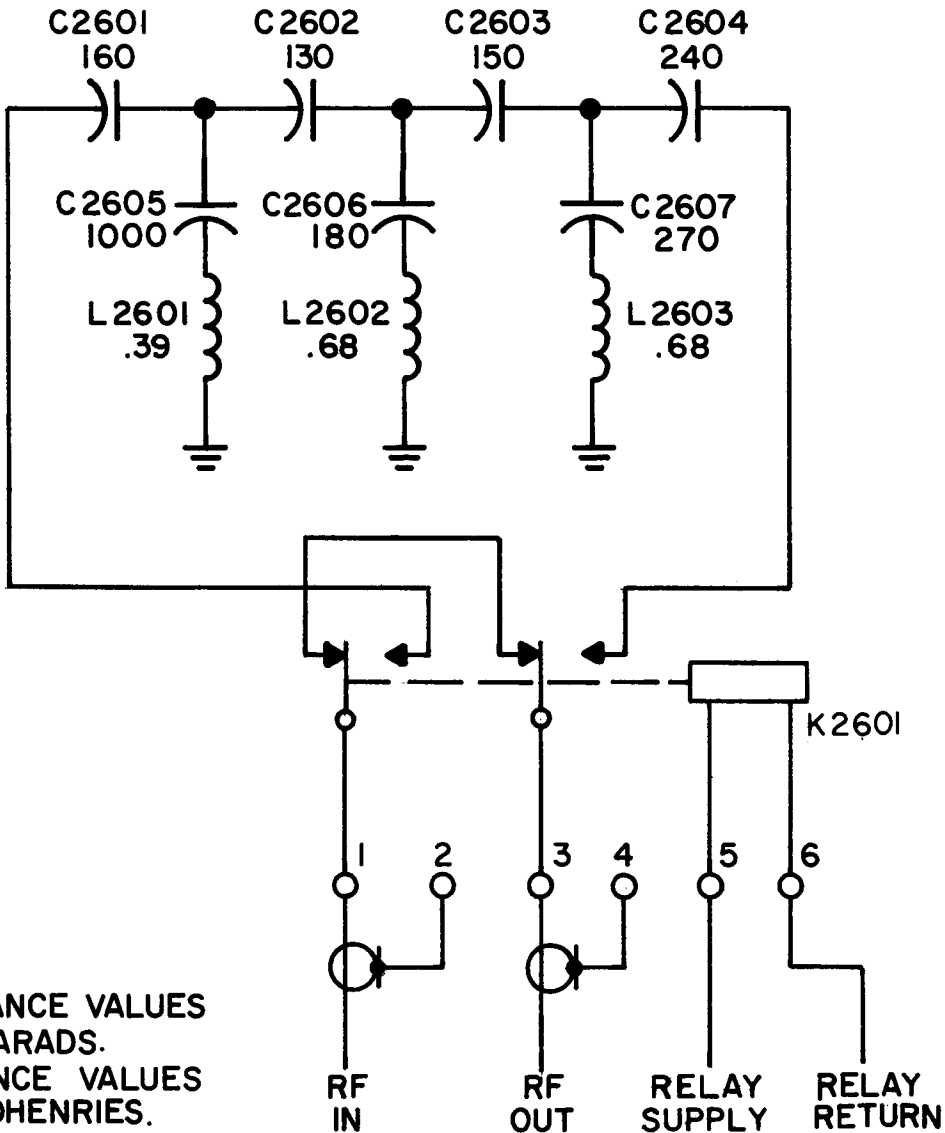


APPLICATION			REVISIONS							
QTY	MODEL USED ON	ASS'Y NO.	LTR	DESCRIPTION	DATE	E.M.N.NO	DRAFT	CHKD	APPD	
	VOX	A4751	X	EXP. RELEASE	6/19/69			K.H.	JG	
	MMX	A4751	Ø	ORIGINAL RELEASE	6/25/69			GE	JG	
	CHG	A4751								



NOTE:

ALL CAPACITANCE VALUES
ARE IN PICOFARADS.
ALL INDUCTANCE VALUES
ARE IN MICROHENRIES.

UNLESS OTHERWISE SPECIFIED DIMENSIONS ARE IN INCHES AND INCLUDE CHEMICALLY APPLIED OR PLATED FINISHES		REQ'D	ITEM	PART NUMBER	DESCRIPTION	SYM.
DECIMALS: .X ± .05, .XX ± .01, .XXX ± .005 FRACTIONS: 1/64, ANGLES: 0°-30°		POSE LIST OF MATERIAL				
MATERIAL		FINAL APPROVAL		DATE	THE TECHNICAL MATERIEL CORP. MAMARONECK, NEW YORK	
FINISH		MECH. DES.		DATE	DIAGRAM, SCHEMATIC HI PASS FILTER 19.5 MHZ FILTER	
		ELECT. DES.		DATE		
		CHECKED		DATE		
		DRAWN		DATE		
NOTICE TO PERSONS RECEIVING THIS DRAWING THE TECHNICAL MATERIEL CORPORATION claims proprietary right in the material disclosed hereon. This drawing is issued in confidence for engineering information only and may not be reproduced or used to manufacture anything shown hereon without permission from THE TECHNICAL MATERIEL CORPORATION to the user. This drawing is loaned for mutual assistance and is subject to recall at any time.				SIZE	CODE IDENT. NO.	DWG NO.
				A	82679	CK 1638
				SCALE	SHEET	OF