

5

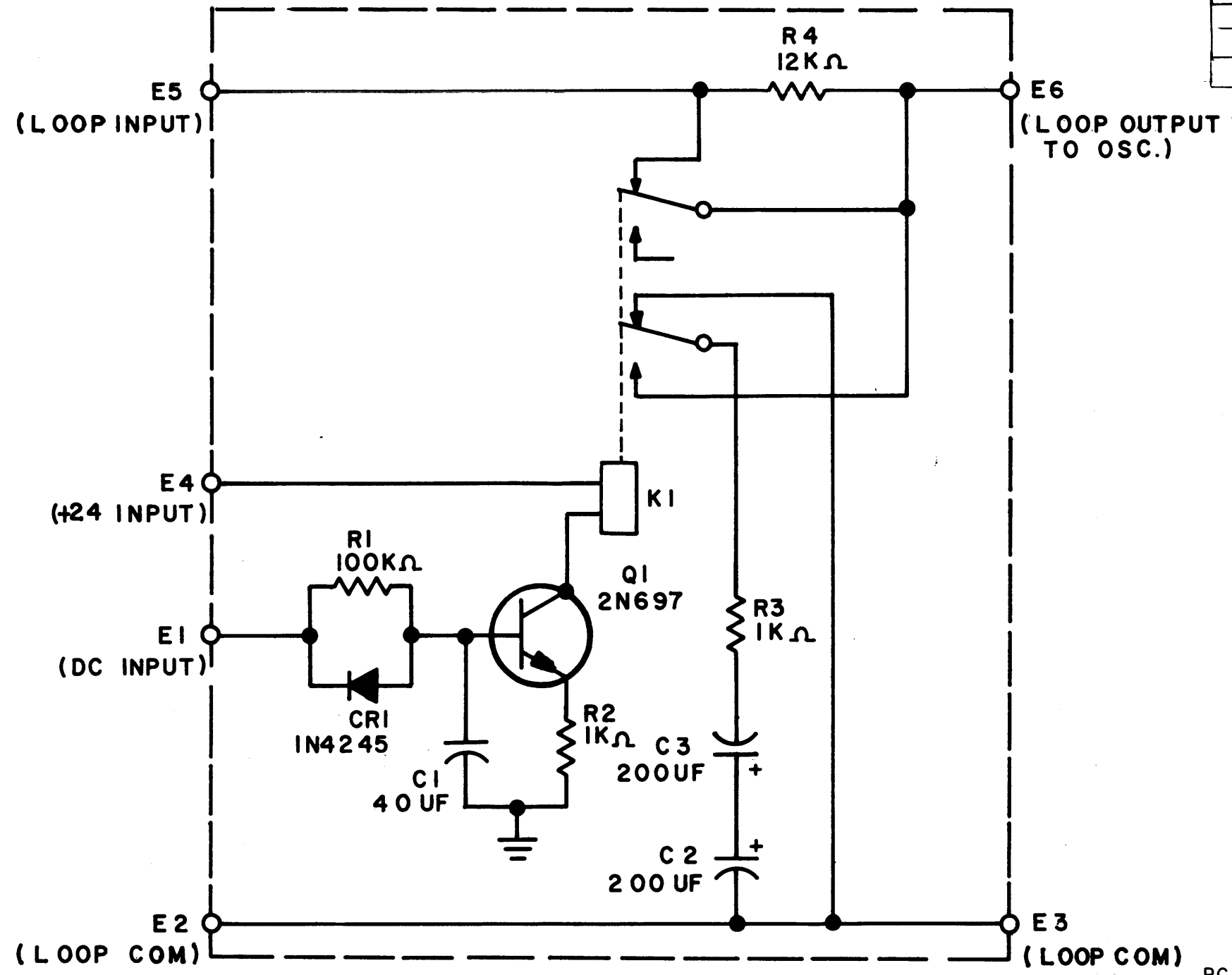
4

3

2

1

| REVISIONS | | | | | | |
|-----------|-----|------------------|---------|----------|-------|--------------------|
| ZONE | LTR | DESCRIPTION | DATE | E.M.N.NO | DRAFT | CHKD APPD |
| | X | EXP. RELEASE | 6/17/69 | X | KD | <i>[Signature]</i> |
| | Ø | ORIGINAL RELEASE | 8/14/69 | Ø | KD | <i>[Signature]</i> |
| | A | ADD CONN. ON Q1 | 10/5/70 | 20021 | GE | QJ B.E.B |



| LAST SYMBOL | MISSING SYMBOL |
|-------------|----------------|
| C3 | |
| CR1 | |
| E6 | |
| K1 | |
| Q1 | |
| R4 | |

| | | |
|-------------|---------------|-----------|
| | HFRR-4 | A 4794 |
| QTY / UNIT | MODEL USED ON | ASS'Y NO. |
| APPLICATION | | |
| CODE | | |

NOTICE TO PERSONS RECEIVING THIS DRAWING
 THE TECHNICAL MATERIEL CORPORATION claims proprietary right in the material disclosed hereon. This drawing is issued in confidence for engineering information only and may not be reproduced or used to manufacture anything shown hereon without permission from THE TECHNICAL MATERIEL CORPORATION to the user. This drawing is loaned for mutual assistance and is subject to recall at any time.

| | |
|---|---|
| UNLESS OTHERWISE SPECIFIED DIMENSIONS ARE IN INCHES AND INCLUDE CHEMICALLY APPLIED OR PLATED FINISHES | |
| DECIMALS .X ± .05 .XX ± .01 .XXX ± .005 | FRACTIONS TOLS. 1/64 ANGLES 0° - 30' |
| MATERIAL | |
| FINISH | |

PC 525

| REQ'D | ITEM | PART NUMBER | DESCRIPTION | SYM. |
|--|-----------------|-------------|-------------|------|
| LIST OF MATERIAL | | | | |
| THE TECHNICAL MATERIEL CORP. MAMARONECK, NEW YORK | | | | |
| DIAGRAM SCHEMATIC LO PASS FILTER | | | | |
| SIZE | CODE IDENT. NO. | DWG NO. | ISSUE | |
| B | 82679 | CK1634 | A | |
| SCALE | | | SHEET | OF |

APPROVAL: *[Signature]* DATE: 8/19/69
 MECH. DES. *[Signature]* DATE: 8/17/69
 ELECT. DES. *[Signature]* DATE: 8/17/69
 CHECKED: *[Signature]* DATE: 8/17/69
 DRAWN: Deierlein DATE: 8/29/69

5

4

3

2

1