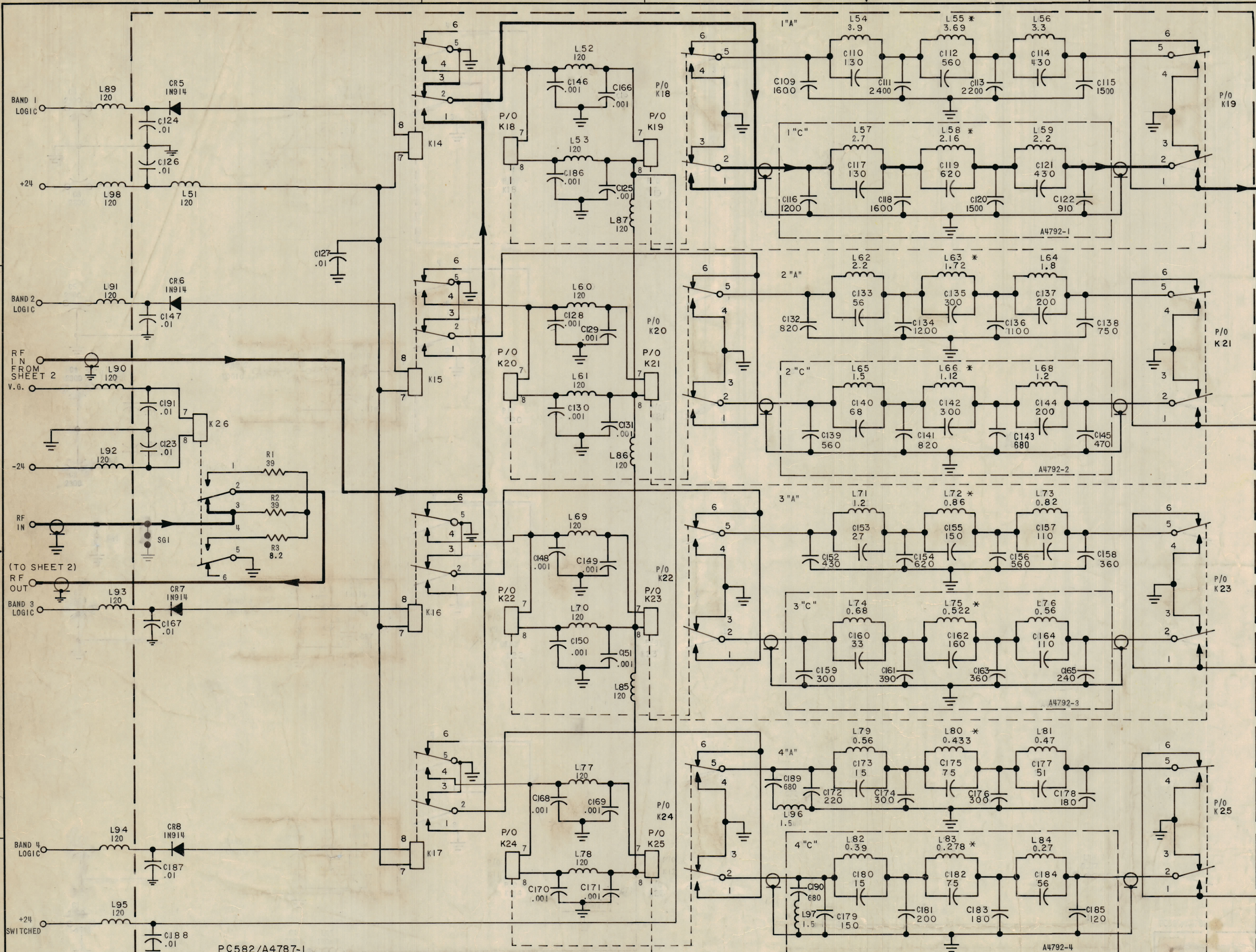


REVISIONS							
E.M.N.O	DRAFT	CHKD	ZONE	LTR	DESCRIPTION	DATE	APPROVED
				X2	REDRAWN W/ REVISIONS	7/6/69	
				X3	REV. & UPDATED	9/9/69	
					ORIGINAL RELEASE FOR PRODUCTION	9/15/69	
19837	LL	W/B		A	LAST SYM. WAS L48, MISS. SYM. WAS L17	5/8/70	
19978	LL	W/B		B	ADD. SIGNAL FLOW LINES	8/11/70	U.S. 012
20077	RF	()		C	REVISED	9/21/70	CP ()
2018	RF	()		D	REVISED & ADDED SHEET 2 OF 2	11/6/70	02E.8
20342	()			E	DELETED C1, C4, C5, C6, C7, C9	4/13/70	02E.8
20277	GE	()		F	RELOCATED SGI	4/17/71	02E.8
				G	ADD NOTE FACTORY ADJUSTED	3/18/71	02E.8



TO SHEET 2

PC582/A4787-1

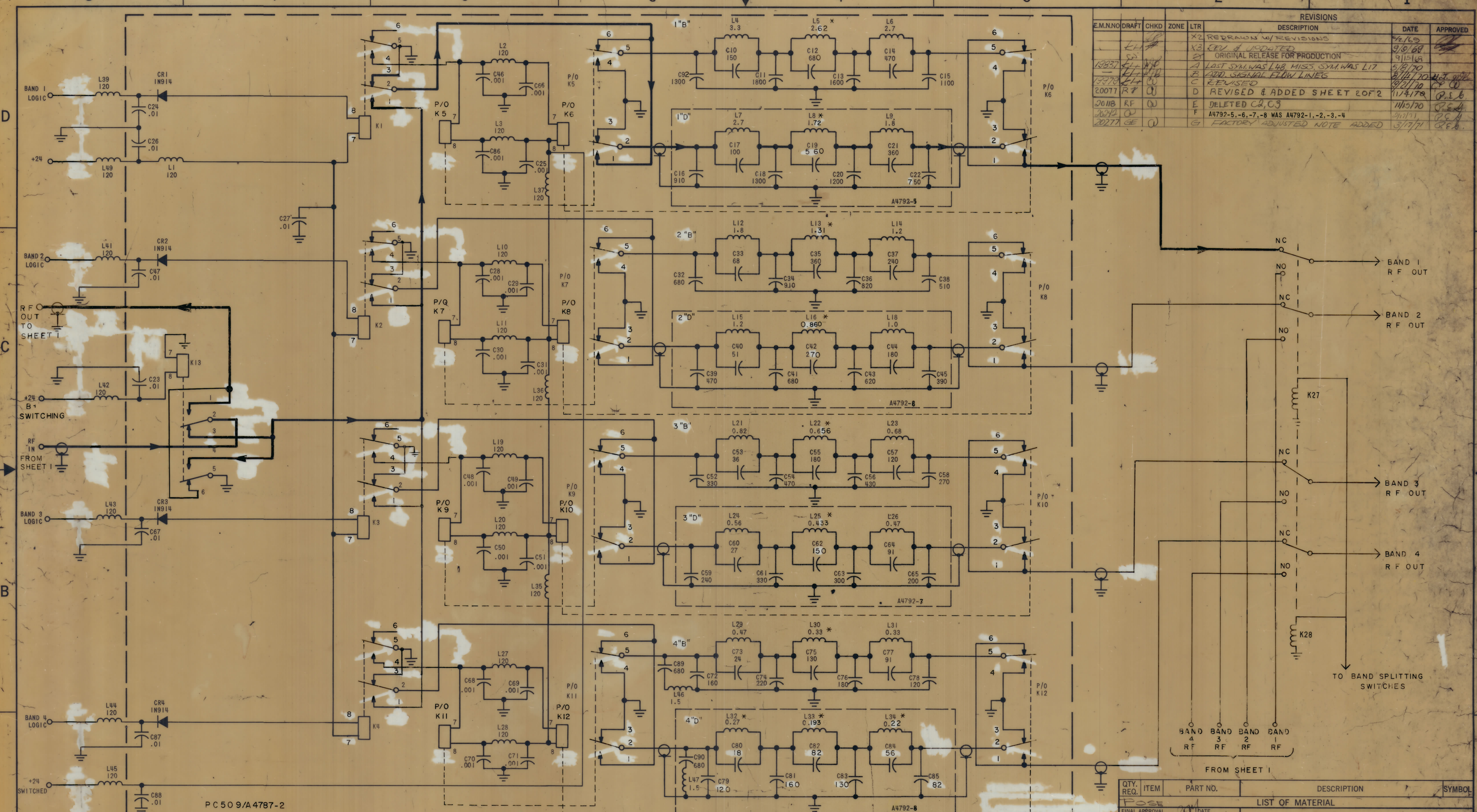
LAST SYMBOL	MISSING SYMBOL
C191	C1 THRU C9
CR 8	C93 THRU C108
K 28	L17, 38, 48, 50,
L 98	L57, 88
R 3	
SG 1	

- UNLESS OTHERWISE SPECIFIED:
1. ALL RESISTANCE VALUES ARE IN OHMS-1/4 WATT
 2. ALL DECIMAL NUMBER CAPACITANCE VALUES ARE IN MICROFARADS
ALL WHOLE NUMBER CAPACITANCE VALUES ARE IN PICOFARADS
 3. ALL INDUCTANCE VALUES ARE IN MICROHENRIES
 4. FILTER "B" IS MOUNTED ON SUB-ASSEMBLY
- * FACTORY ADJUSTED

HFRR-4		AX5007	
QTY / UNIT	MODEL USED ON	ASS'Y NO.	
	APPLICATION		
	CODE		
NOTICE TO PERSONS RECEIVING THIS DRAWING THE TECHNICAL MATERIEL CORPORATION claims proprietary right in the material disclosed herein. This drawing is issued in confidence for engineering information only and may not be reproduced or used to manufacture anything shown hereon without permission from THE TECHNICAL MATERIEL CORPORATION to the user. This drawing is loaned for mutual assistance and is subject to recall at any time.			

TOLERANCES ON	
DECIMALS	FRACTIONS
.X ± .05	1/64
.XX ± .01	ANGLES
.XXX ± .005	± 0°-30'

QTY. REQ.	ITEM	PART NO.	DESCRIPTION	SYMBOL
LIST OF MATERIAL				
THE TECHNICAL MATERIEL CORP. MAMARONECK, NEW YORK				
DIAGRAM SCHEMATIC INPUT ATTENUATOR & ANTENNA SWITCH				
SIZE		CODE IDENT NO.		DWG NO.
D		82679		CK 1633
SCALE NONE				
SHEET 1				OF 2



REVISIONS							
E.M.N.O	DRAFT	CHKD	ZONE	LTR	DESCRIPTION	DATE	APPROVED
				X2	REDRAWN W/ REVISIONS	4/2/69	
				X3	REV & UPDATED	9/9/68	
					ORIGINAL RELEASE FOR PRODUCTION	9/10/68	
19837	SL	WJ		A	LAST SYM WAS L48, MISS SYM WAS L17	5/19/70	
19878	SL	WJ		B	ADD SIGNAL FLOW LINES	8/14/70	
20077	R7	Q		C	REVISED	8/21/70	
20118	RF	Q		D	REVISED & ADDED SHEET 2 OF 2	11/4/70	
20142	Q			E	DELETED CR, C3	11/15/70	
20277	GE	Q		F	A4792-5, -6, -7, -8 WAS A4792-1, -2, -3, -4	3/17/71	
				G	FACTORY ADJUSTED NOTE ADDED	3/17/71	

PC 509/A4787-2

63 5-43 SHT2
64 5-34 esht2

- UNLESS OTHERWISE SPECIFIED:
1. ALL RESISTANCE VALUES ARE IN OHMS: 1/4 WATT
 2. ALL DECIMAL NUMBER CAPACITANCE VALUES ARE IN MICROFARADS
 3. ALL WHOLE NUMBER CAPACITANCE VALUES ARE IN PICOFARADS
 4. ALL INDUCTANCE VALUES ARE IN MICRohenRIES
 5. FILTER "B" IS MOUNTED ON SUB-ASSEMBLY
- * FACTORY ADJUSTED

QTY / UNIT	MODEL USED ON	ASS'Y NO.
	HFRR-4	AX5007
APPLICATION		
CODE		

TOLERANCES ON	
DECIMALS	FRACTIONS
.X = .05	= 1/64
.XX = .01	ANGLES
.XXX = .005	= 0° - 30°

NOTICE TO PERSONS RECEIVING THIS DRAWING
THE TECHNICAL MATERIEL CORPORATION claims proprietary right in the material disclosed herein. This drawing is issued in confidence for engineering information only and may not be reproduced or used to manufacture anything shown hereon without permission from THE TECHNICAL MATERIEL CORPORATION. The user. This drawing is loaned for mutual assistance and is subject to recall at any time.

QTY. REQ.	ITEM	PART NO.	DESCRIPTION	SYMBOL
LIST OF MATERIAL				
THE TECHNICAL MATERIEL CORP. MAMARONECK, NEW YORK				
DIAGRAM SCHEMATIC INPUT ATTENUATOR & ANTENNA SWITCH				
SIZE		CODE IDENT NO.	DWG NO.	ISSUE
D 82679		CK 1633		5
SCALE NONE SHEET 2 OF 2				