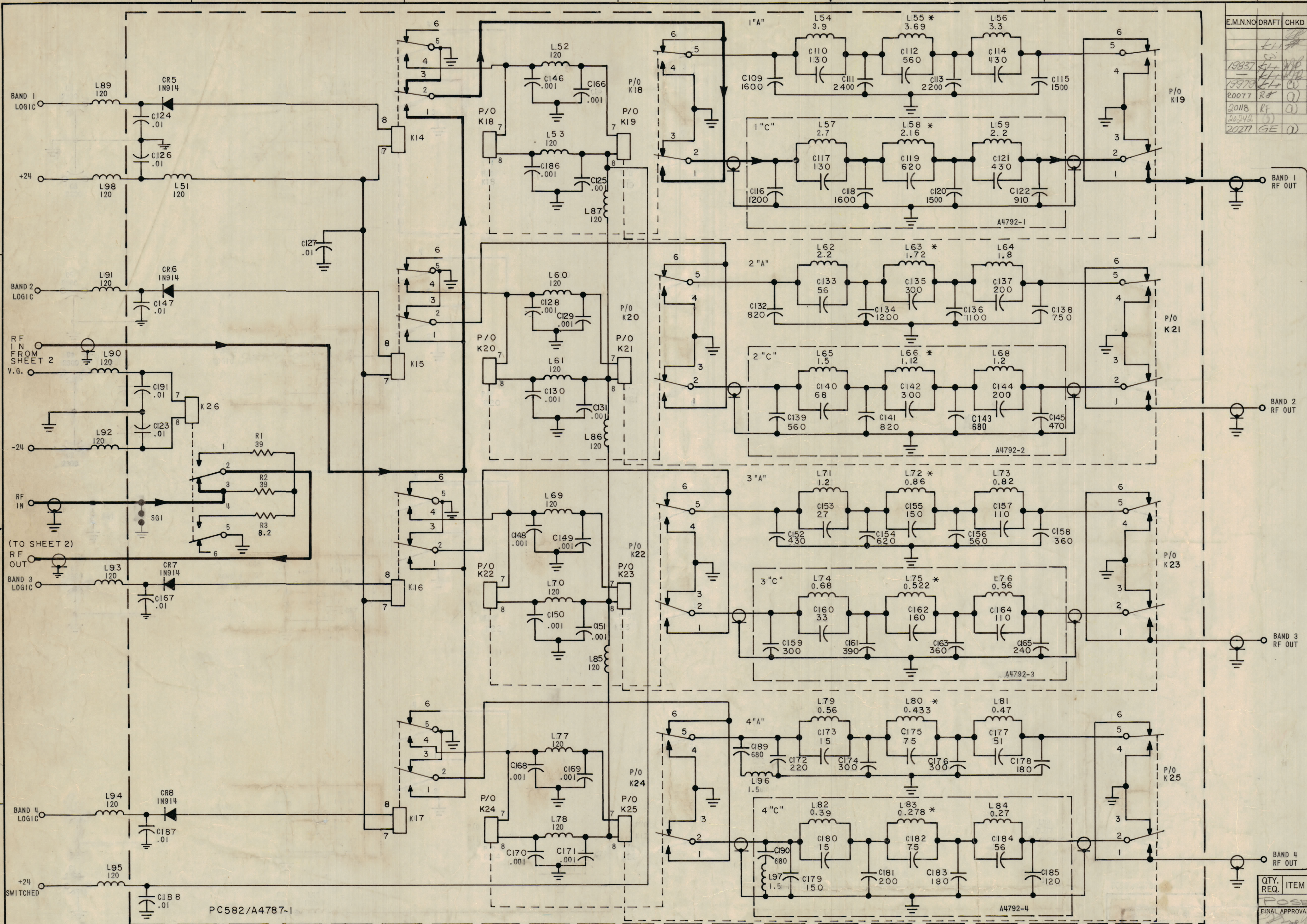


REVISIONS							
E.M.N.O	DRAFT	CHKD	ZONE	LTR	DESCRIPTION	DATE	APPROVED
				X2	REDRAWN W/ REVISIONS	7/6/69	
				X3	REV. & UPDATED	9/9/69	
					ORIGINAL RELEASE FOR PRODUCTION	9/15/69	
19837	LL	W/B		A	LAST SYM. WAS L48, MISS. SYM. WAS L17	5/8/70	
19978	LL	W/B		B	ADD. SIGNAL FLOW LINES	8/11/70	U.S. 012
20077	RF	( )		D	REVISED & ADDED SHEET 2 OF 2	11/6/70	CP ( )
2018	RF	( )		F	DELETED C1, C4, C5, C6, C7, C9	4/10/70	PE ( )
20342	( )	( )		F	RELOCATED SGI	4/10/70	PE ( )
20277	GE	( )		G	ADD NOTE FACTORY ADJUSTED	3/18/71	CP ( )



TO SHEET 2

PC582/A4787-1

LAST SYMBOL	MISSING SYMBOL
C191	C1 THRU C9
CR 8	C93 THRU C108
K 28	L17, 38, 48, 50,
L 98	L57, 88
R 3	
SG 1	

- UNLESS OTHERWISE SPECIFIED:
1. ALL RESISTANCE VALUES ARE IN OHMS-1/4 WATT
  2. ALL DECIMAL NUMBER CAPACITANCE VALUES ARE IN MICROFARADS  
ALL WHOLE NUMBER CAPACITANCE VALUES ARE IN MICROFARADS
  3. ALL INDUCTANCE VALUES ARE IN MICROHENRIES
  4. FILTER "B" IS MOUNTED ON SUB-ASSEMBLY
- \* FACTORY ADJUSTED

HFRR-4		AX5007	
QTY / UNIT	MODEL USED ON	ASS'Y NO.	
	APPLICATION		
	CODE		

TOLERANCES ON	
DECIMALS	FRACTIONS
.X ± .05	1/64
.XX ± .01	ANGLES
.XXX ± .005	± 0°-30'

QTY. REQ.	ITEM	PART NO.	DESCRIPTION	SYMBOL
LIST OF MATERIAL				
THE TECHNICAL MATERIEL CORP. MAMARONECK, NEW YORK				
DIAGRAM SCHEMATIC INPUT ATTENUATOR & ANTENNA SWITCH				
SIZE		CODE	IDENT NO.	DWG NO.
D		82679	CK	1633
SCALE NONE				
SHEET 1				OF 2

NOTICE TO PERSONS RECEIVING THIS DRAWING  
THE TECHNICAL MATERIEL CORPORATION claims proprietary right in the material disclosed herein. This drawing is issued in confidence for engineering information only and may not be reproduced or used to manufacture anything shown hereon without permission from THE TECHNICAL MATERIEL CORPORATION to the user. This drawing is loaned for mutual assistance and is subject to recall at any time.