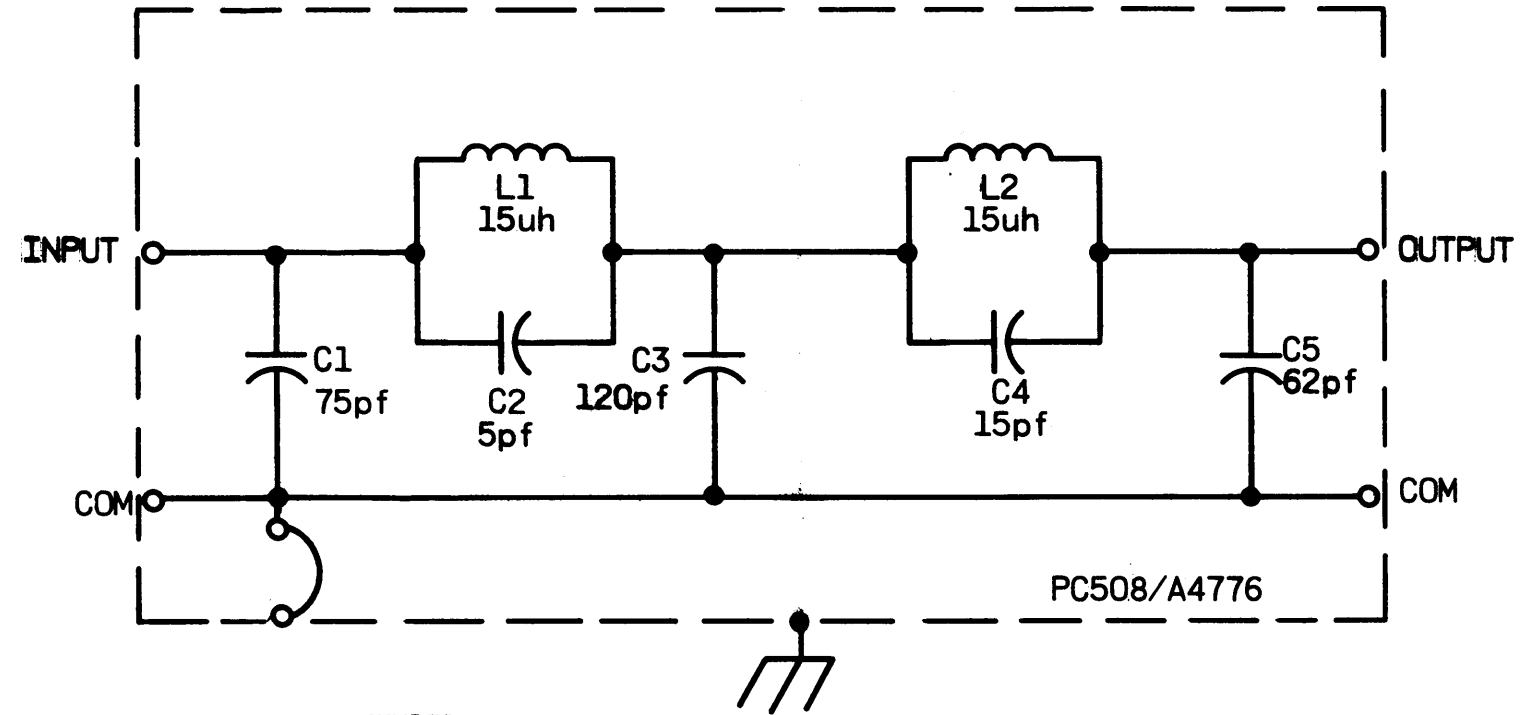


REVISIONS						
ZONE	LTR	DESCRIPTION	DATE	E.M.N.NO	DRAFT	CHKD APPD
	X	EXPERIMENTAL RELEASE	3/17/69		C.V.	[Signature]
	Ø	ORIGINAL RELEASE	3/2/69	Ø	1KH	[Signature]
	A	SHIELD REMOVED	10/15/69	19614	CV	[Signature] OF 2 PD



JUMPER
SEE NOTE 7

LAST SYMBOL	MISSING SYMBOL
C5	
L2	

NOTES

- INPUT CABLE LENGTH 3" TO START OF PIGTAIL
- OUTPUT CABLE LENGTH 5" TO START OF PIGTAIL.
- C IN (NO CABLE) 10 pf.
- C OUT (NO CABLE) 10 pf.
- $f_o = 5.5 \text{ MHz}$
- $R_o = 470 \Omega$
- NO. 22 GA. WIRE JUMPER FROM CIRCUIT BOARD, GND TO CAN

HFRR-4		
QTY / UNIT	MODEL USED ON	ASS'Y NO.
APPLICATION		
	CODE	
<p>NOTICE TO PERSONS RECEIVING THIS DRAWING THE TECHNICAL MATERIEL CORPORATION claims proprietary right in the material disclosed hereon. This drawing is issued in confidence for engineering information only and may not be reproduced or used to manufacture anything shown hereon without permission from THE TECHNICAL MATERIEL CORPORATION to the user. This drawing is loaned for mutual assistance and is subject to recall at any time.</p>		

UNLESS OTHERWISE SPECIFIED DIMENSIONS ARE IN INCHES AND INCLUDE CHEMICALLY APPLIED OR PLATED FINISHES	
DECIMALS .X ± .05 .XX ± .01 .XXX ± .005	FRACTIONS 1/64 TOLS. ANGLES 0° -30'
MATERIAL	
FINISH	

REQ'D	ITEM	PART NUMBER	DESCRIPTION	SYM.
LIST OF MATERIAL				
THE TECHNICAL MATERIEL CORP. MAMARONECK, NEW YORK				
DIAGRAM SCHEMATIC LOW PASS FILTER				
SIZE	CODE IDENT. NO.	DWG NO.	ISSUE	
B	82679	CK1618	A	
SCALE			SHEET OF	