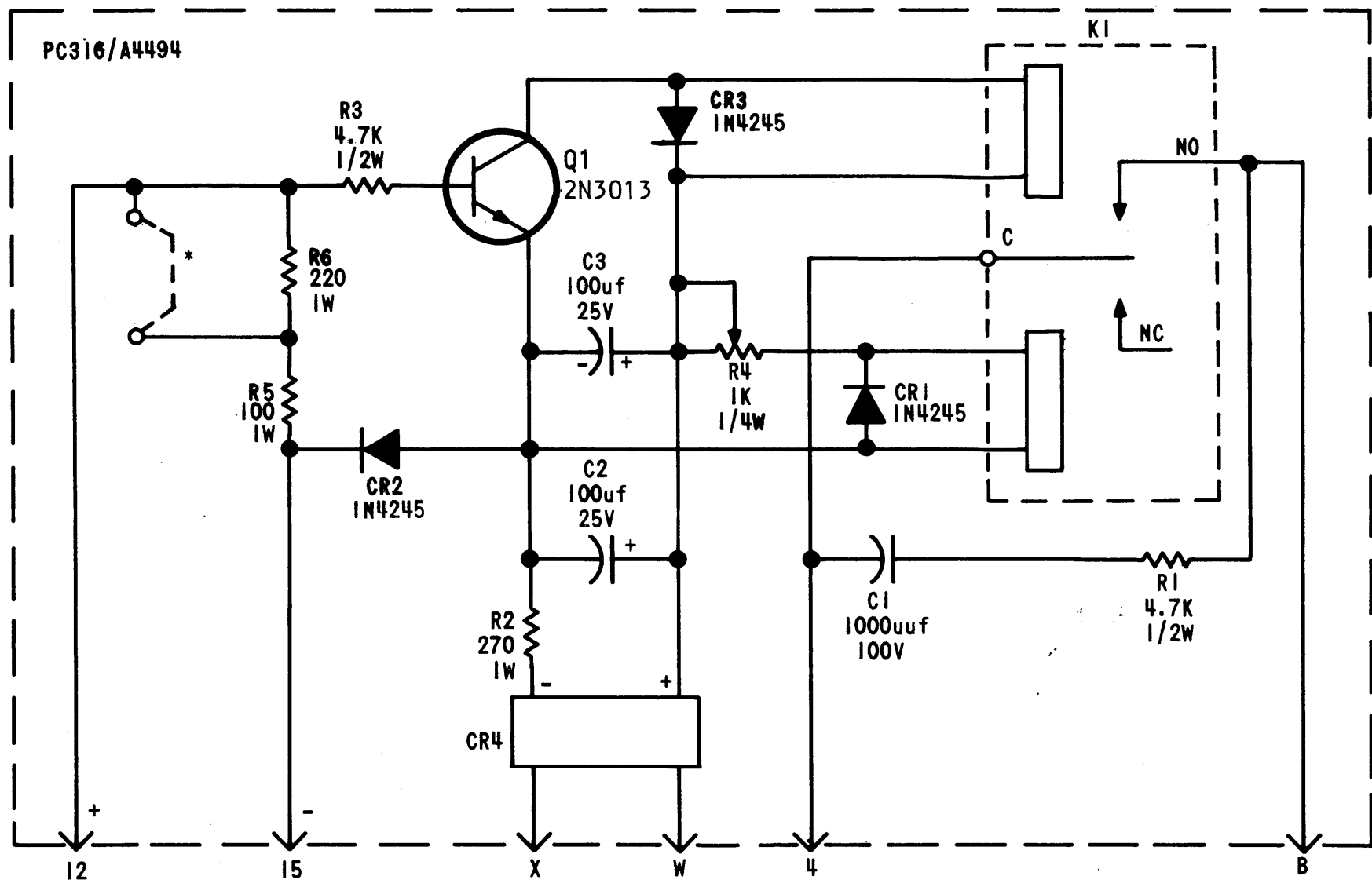


REVISIONS						
ZONE	LTR	DESCRIPTION	DATE	E.M.N.NO	DRAFT	CHKD APPD
	X	EXPERIMENTAL RELEASE	2/2/69		CV	
	Ø	ORIG RELEASE FOR PROD	6/19/69		CV	



LAST SYMBOL	MISSING SYMBOL
R6 C3 CR4 KI Q1	

NOTES

- PARTIAL REFERENCE DESIGNATIONS AS SHOWN; FOR COMPLETE DESIGNATION, PREFIX WITH UNIT NUMBER AND SUB-ASSEMBLY DESIGNATION (S) AS APPLICABLE
- * STRAP IS INCLUDED WHEN 60mA LOOP IS USED
STRAP IS NOT INCLUDED WHEN 20mA OR 6 VOLT LOOPS ARE USED.

REQ'D	ITEM	PART NUMBER	DESCRIPTION	SYM.
LIST OF MATERIAL				
THE TECHNICAL MATERIEL CORP. MAMARONECK, NEW YORK				
DIAGRAM SCHEMATIC ISOLATION KEYS				
SIZE	CODE IDENT. NO.	DWG NO.	ISSUE	
B	82679	CK1612	Ø	
SCALE	SHEET		OF	

1	RTIH-3,4	A4494	UNLESS OTHERWISE SPECIFIED DIMENSIONS ARE IN INCHES AND INCLUDE CHEMICALLY APPLIED OR PLATED FINISHES
1	RTMU-41(), 42()	A4494	
QTY / UNIT	MODEL USED ON	ASS'Y NO.	DECIMALS .X ± .05 .XX ± .01 .XXX ± .005
APPLICATION			FRACTIONS 1/64 ANGLES 0° - 30'
CODE			MATERIAL
FINISH			
<p>NOTICE TO PERSONS RECEIVING THIS DRAWING THE TECHNICAL MATERIEL CORPORATION claims proprietary right in the material disclosed hereon. This drawing is issued in confidence for engineering information only and may not be reproduced or used to manufacture anything shown hereon without permission from THE TECHNICAL MATERIEL CORPORATION to the user. This drawing is loaned for mutual assistance and is subject to recall at any time.</p>			

5570
5-11