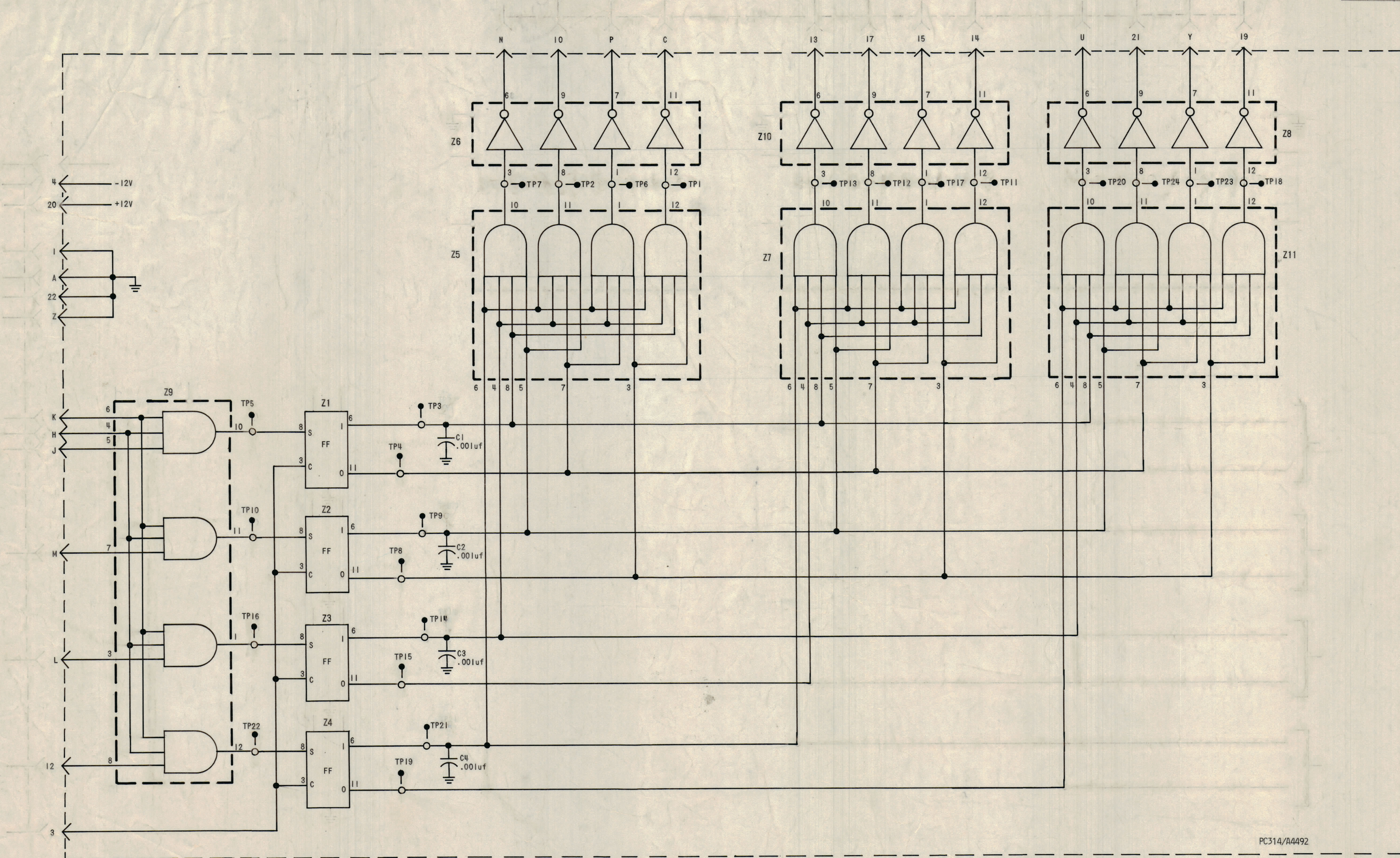


REVISIONS						
ZONE	LTR	DESCRIPTION	DATE	E. M. N. NO.	DRAFT	CHKD
X		EXP. RELEASE	6/19/69		GE	
		ORIGINAL RELEASE FOR PRODUCTION	8/12/69		GE	



LAST SYMBOL	MISSING SYMBOL
C4	
TP24	
Z11	

MODULE VOLTAGE AND GND CHART			
SYMBOL	PIN CONNECTIONS		
	+12V	-12V	GND
Z1 THRU Z4	10	2	5
Z5, Z7, Z9, Z11		2	
Z6, Z8, Z10	10		5

NOTE:  
 1. PARTIAL REFERENCE DESIGNATIONS ARE SHOWN;  
 FOR COMPLETE DESIGNATION, PREFIX WITH UNIT  
 NUMBER AND SUB-ASSEMBLY DESIGNATION(S) AS  
 APPLICABLE

PC314/A4492

3	RT1H-4	A4492
2	RT1H-3	A4492
QTY / UNIT	MODEL USED ON	ASS'Y NO.
APPLICATION		
CODE		
<small>NOTICE TO PERSONS RECEIVING THIS DRAWING</small> <small>THE TECHNICAL MATERIEL CORPORATION claims proprietary right in the material disclosed hereon. This drawing is issued in confidence for engineering information only and may not be reproduced or used to manufacture anything shown hereon without permission from THE TECHNICAL MATERIEL CORPORATION to the user. This drawing is loaned for mutual assistance and is subject to recall at any time.</small>		
MATERIAL		
FINISH		

UNLESS OTHERWISE SPECIFIED DIMENSIONS ARE IN INCHES AND INCLUDE CHEMICALLY APPLIED OR PLATED FINISHES		FINAL APPROVAL <i>[Signature]</i>	DATE 8-11-69
TOLERANCES ON		MECH. DES. <i>[Signature]</i>	DATE 8-7-69
DECIMALS	FRACTIONS	ELECT. DES.	DATE
.X ± .05	± 1/64	CHECKED <i>[Signature]</i>	DATE 6/19/69
.XX ± .01	ANGLES	DRAWN <i>[Signature]</i>	DATE 6/12/69
.XXX ± .005	± 0° -30'		

QTY. REQ.	ITEM	PART NO.	DESCRIPTION	SYMBOL
LIST OF MATERIAL				
THE TECHNICAL MATERIEL CORP. MAMARONECK, NEW YORK				
DIAGRAM LOGIC				
MEMORY GATING CIRCUIT (FOR SINGLE FUNCTION, 12 POS.)				
SIZE	CODE IDENT. NO.	DWG NO.	ISSUE	
D	82679	CK 1610		
SCALE			SHEET	OF

5590  
5-9

B  
CK 1610

A