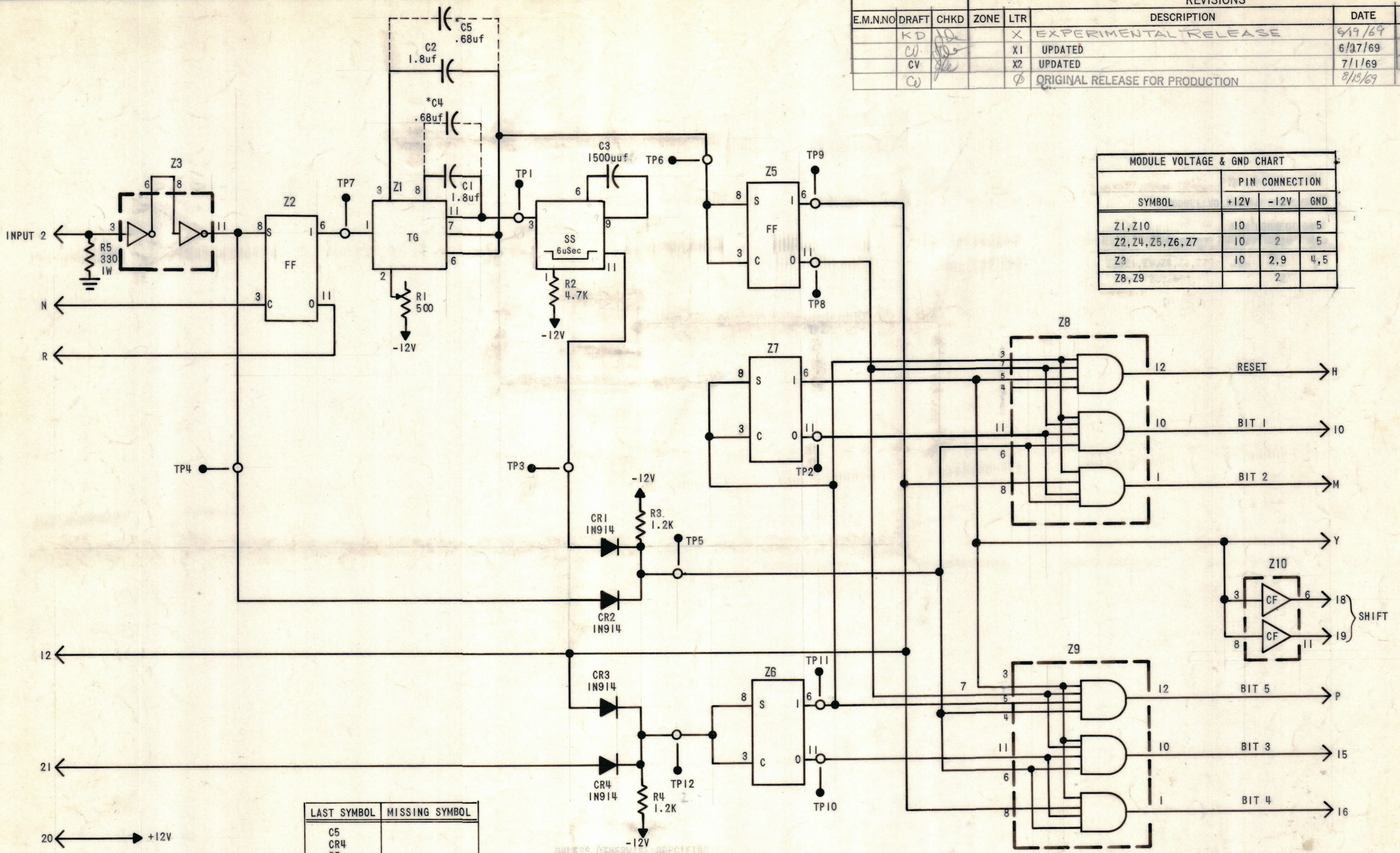


REVISIONS						DATE	APPROVED
E.M.N.NO	DRAFT	CHKD	ZONE	LTR	DESCRIPTION		
	KD			X	EXPERIMENTAL RELEASE	6/19/69	
	CV			X1	UPDATED	6/27/69	
	CV			X2	UPDATED	7/1/69	
	CV			Ø	ORIGINAL RELEASE FOR PRODUCTION	8/13/69	

MODULE VOLTAGE & GND CHART			
SYMBOL	PIN CONNECTION		
	+12V	-12V	GND
Z1, Z10	10		5
Z2, Z4, Z5, Z6, Z7	10	2	5
Z3	10	2, 9	4, 5
Z8, Z9		2	



LAST SYMBOL	MISSING SYMBOL
C5	
CR4	
R5	
TP12	
Z10	

UNLESS OTHERWISE SPECIFIED:
1. ALL RESISTANCE VALUES ARE IN OHMS, 1/4 WATT

- NOTES:
- FOR 60 WPM ADD C4 AND C5 FOR 100 WPM DELETE C4 AND C5
 - PARTIAL REFERENCE DESIGNATIONS ARE SHOWN; FOR COMPLETE DESIGNATION, PREFIX WITH UNIT NUMBER AND SUB-ASSEMBLY DESIGNATION(S) AS APPLICABLE.

I	RTIH-3,4	A4496
QTY / UNIT	MODEL USED ON	ASS'Y NO.
APPLICATION		
	CODE	
NOTICE TO PERSONS RECEIVING THIS DRAWING		
THE TECHNICAL MATERIEL CORPORATION claims proprietary right in the material disclosed hereon. This drawing is issued in confidence for engineering information only and may not be reproduced or used to manufacture anything shown hereon without permission from THE TECHNICAL MATERIEL CORPORATION to the user. This drawing is loaned for mutual assistance and is subject to recall at any time.		

QTY. REQ.	ITEM	PART NO.	DESCRIPTION	SYMBOL
LIST OF MATERIAL				
THE TECHNICAL MATERIEL CORP. MAMARONECK, NEW YORK				
DIAGRAM LOGIC TIMING CIRCUIT				
SIZE	CODE IDENT NO.	DWG NO.	ISSUE	
C	82679	CK 1609	Ø	
SCALE NONE			SHEET OF	

D
C
B
A

D
C
B
A

A

A