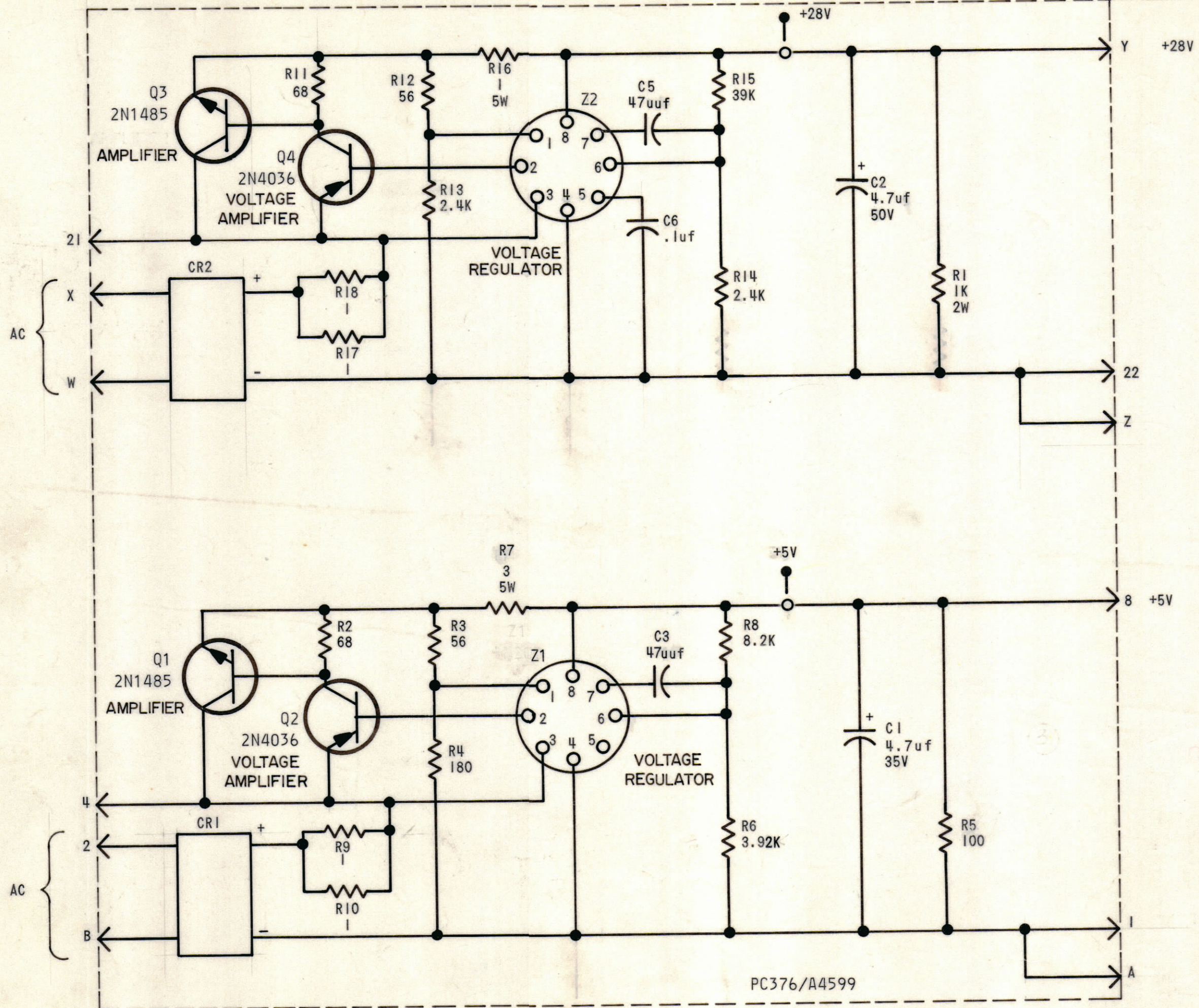


REVISIONS							
E.M.N.NO	DRAFT	CHKD	ZONE	LTR	DESCRIPTION	DATE	APPROVED
	KD	JD		X	EXP. RELEASE	6/9/69	JD
	KD	JD		X	TITLE CHANGED	8/8/69	
	JD			B	ORIGINAL RELEASE FOR PRODUCTION	9/15/69	
	JD			A	ADD. FUNCTIONS TO TRANSISTORS	9/8/70	U.S.D.
20253	GE	JD		B	CHG R6 FRM. 3.9K TO 3.92K	3/1/71	G.P.E.



PC376/A4599

UNLESS OTHERWISE SPECIFIED:

1. ALL RESISTANCE VALUES ARE IN OHMS, 1/2 WATT
2. PARTIAL REFERENCE DESIGNATIONS ARE SHOWN; FOR COMPLETE DESIGNATION, PREFIX WITH UNIT NUMBER AND SUB-ASSEMBLY DESIGNATION(S) AS APPLICABLE.

LAST SYMBOL	MISSING SYMBOL
C6	C4
CR2	
Q4	
R18	
Z2	

I	RTTD-4	A4599
QTY / UNIT	MODEL USED ON	ASS'Y NO.
APPLICATION		
CODE		
<p style="text-align: center;">NOTICE TO PERSONS RECEIVING THIS DRAWING</p> <p style="text-align: center;">THE TECHNICAL MATERIEL CORPORATION claims proprietary right in the material disclosed hereon. This drawing is issued in confidence for engineering information only and may not be reproduced or used to manufacture anything shown hereon without permission from THE TECHNICAL MATERIEL CORPORATION to the user. This drawing is loaned for mutual assistance and is subject to recall at any time.</p>		

UNLESS OTHERWISE SPECIFIED DIMENSIONS ARE IN INCHES AND INCLUDE CHEMICALLY APPLIED OR PLATED FINISHES	
TOLERANCES ON	
DECIMALS	FRACTIONS
.X ± .05	± 1/64
.XX ± .01	ANGLES
.XXX ± .005	± 0° -30'
MATERIAL	
FINISH	

QTY. REQ.	ITEM	PART NO.	DESCRIPTION	SYMBOL
LIST OF MATERIAL				
FINAL APPROVAL		DATE	THE TECHNICAL MATERIEL CORP. MAMARONECK, NEW YORK DIAGRAM SCHEMATIC POWER SUPPLY +5V, +28V	
MECH. DES.		DATE		
ELECT. DES.		DATE		
CHECKED		DATE	SIZE CODE IDENT NO. DWG NO. ISSUE C 82679 CK 1607 B	
DRAWN		DATE		
SCALE NONE			SHEET OF	