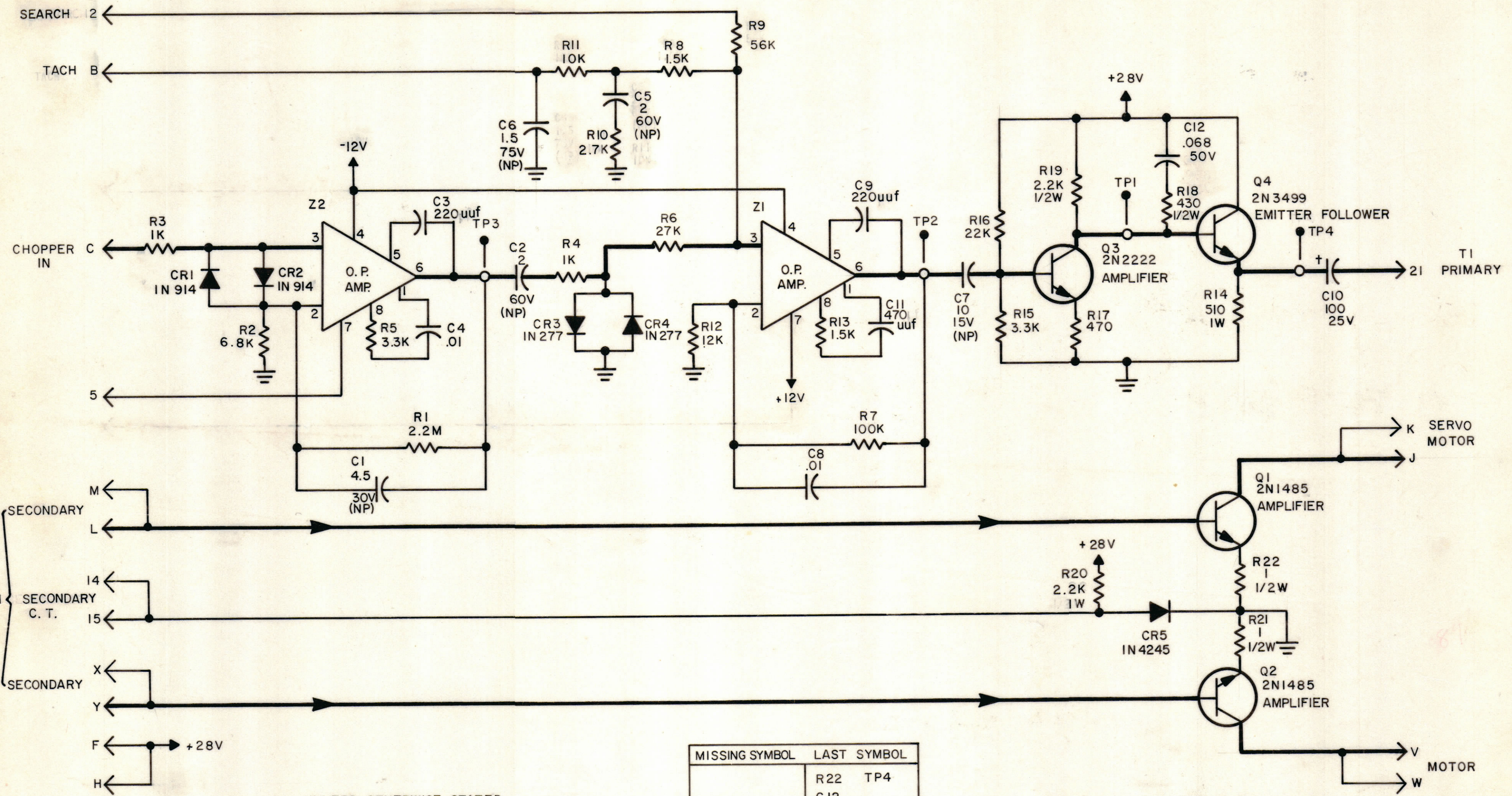


REVISIONS							
E.M.N.NO	DRAFT	CHKD	ZONE	LTR	DESCRIPTION	DATE	APPROVED
				X	EXP. RELEASE	6/20/69	S.D.
				Ø	ORIGINAL RELEASE FOR PRODUCTION	8/18/69	
				A	FUNCTIONS TO TRANSISTORS & SIGNAL FLOW ADD	9/8/70	(U) 150



UNLESS OTHERWISE STATED
 1. ALL RESISTORS ARE IN OHMS 1/4 W
 2. ALL CAPACITORS ARE IN MICRO FARADS
 3. PARTIAL REFERENCE DESIGNATIONS ARE SHOWN. FOR COMPLETE DESIGNATIONS PREFIX WITH UNIT NUMBER AND SUBASSEMBLY DESIGNATIONS AS APPLICABLE

MISSING SYMBOL	LAST SYMBOL
	R22 TP4
	C12
	Q4
	Z2
	CR5

PC 387/A 4614

QTY. REQ.	ITEM	PART NO.	DESCRIPTION	SYMBOL
LIST OF MATERIAL				
THE TECHNICAL MATERIEL CORP. MAMARONECK, NEW YORK				
DIAGRAM SCHEMATIC OUTPUT SERVO				
SIZE		CODE IDENT NO.	DWG NO.	ISSUE
C		82679	CK 1604	A
SCALE NONE			SHEET OF	

I	RTTD-4	A-4614
QTY / UNIT	MODEL USED ON	ASS'Y NO.
APPLICATION		
CODE		
NOTICE TO PERSONS RECEIVING THIS DRAWING		
<small>THE TECHNICAL MATERIEL CORPORATION claims proprietary right in the material disclosed hereon. This drawing is issued in confidence for engineering information only and may not be reproduced or used to manufacture anything shown hereon without permission from THE TECHNICAL MATERIEL CORPORATION to the user. This drawing is loaned for mutual assistance and is subject to recall at any time.</small>		
MATERIAL		
FINISH		

UNLESS OTHERWISE SPECIFIED DIMENSIONS ARE IN INCHES AND INCLUDE CHEMICALLY APPLIED OR PLATED FINISHES

TOLERANCES ON
 DECIMALS .X ± .05
 .XX ± .01
 .XXX ± .005
 FRACTIONS ± 1/64
 ANGLES ± 0° -30'

CK 1604 A B