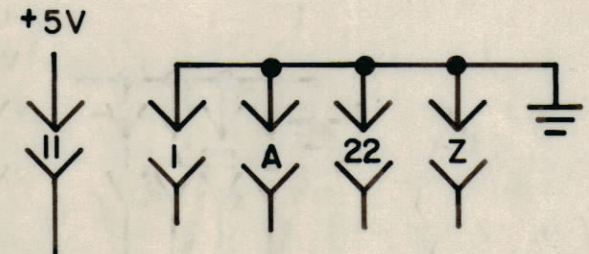
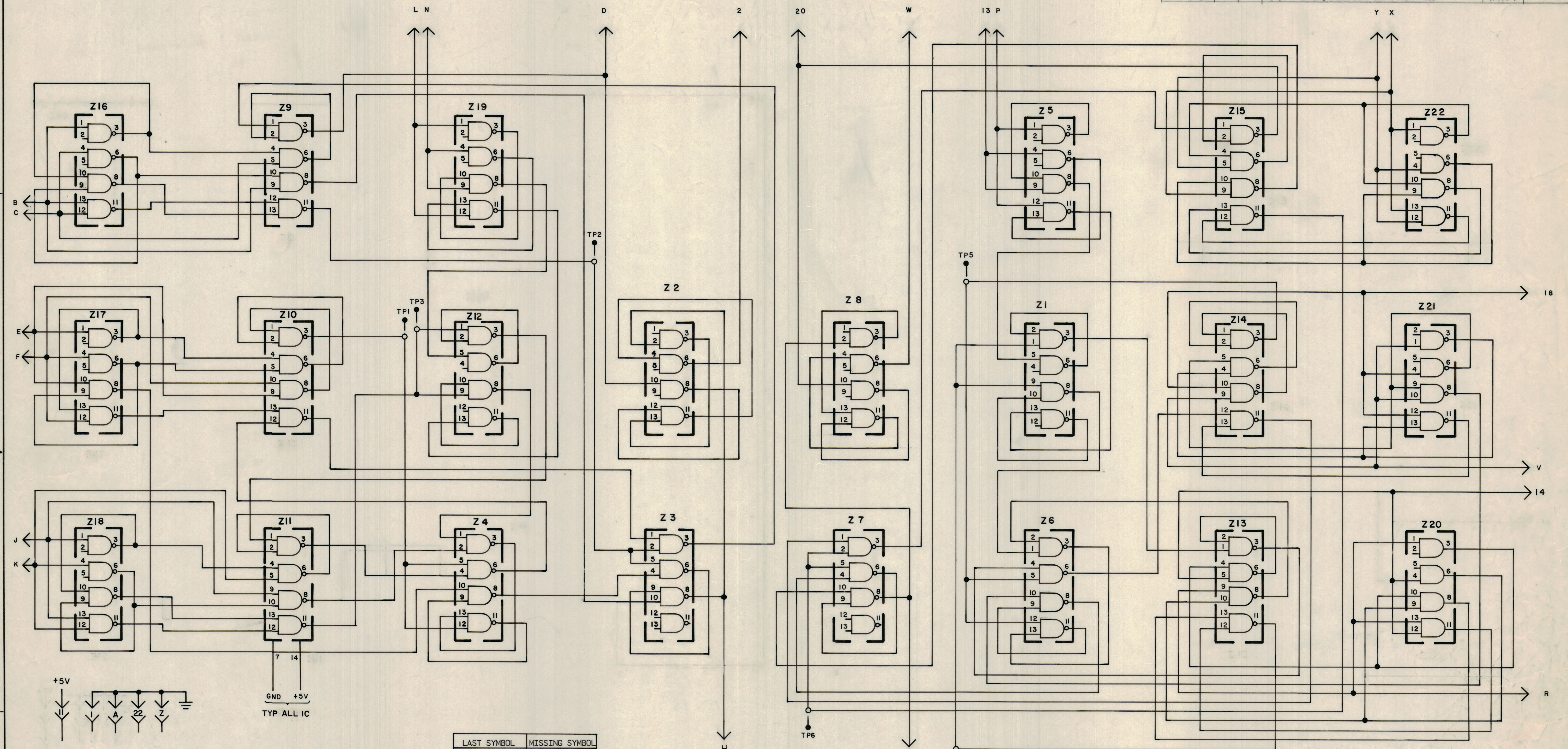


REVISIONS							
E.M.N.NO	DRAFT	CHKD	ZONE	LTR	DESCRIPTION	DATE	APPROVED
32				X	EXP RELEASE	6/19/69	JD
3				B	ORIGINAL RELEASE FOR PRODUCTION	7/18/69	



LAST SYMBOL	MISSING SYMBOL
TP6	
Z22	

NOTE:
 1. PARTIAL REFERENCE DESIGNATIONS ARE SHOWN; FOR COMPLETE DESIGNATION, PREFIX WITH UNIT NUMBER AND SUB-ASSEMBLY DESIGNATION(S) AS APPLICABLE

PC 367 / A 4580				
QTY. REQ.	ITEM	PART NO.	DESCRIPTION	SYMBOL
LIST OF MATERIAL				
FINAL APPROVAL		DATE		
MECH. DES.		DATE		
ELECT. DES.		DATE		
CHECKED		DATE		
DRAWN		DATE		
		6.18.69		
THE TECHNICAL MATERIEL CORP. MAMARONECK, NEW YORK				
DIAGRAM LOGIC				
TWO DIGIT COMPARATOR				
SIZE	CODE	IDENT NO.	DWG NO.	ISSUE
D	82679	CK	1601	1
SCALE				SHEET OF

3	RTTD-4	A 4580
QTY / UNIT	MODEL USED ON	ASS'Y NO.
APPLICATION		
CODE		
<small>NOTICE TO PERSONS RECEIVING THIS DRAWING</small> <small>THE TECHNICAL MATERIEL CORPORATION claims proprietary right in the material disclosed herein. This drawing is issued in confidence for engineering information only and may not be reproduced or used to manufacture anything shown hereon without permission from THE TECHNICAL MATERIEL CORPORATION to the user. This drawing is loaned for mutual assistance and is subject to recall at any time.</small>		

UNLESS OTHERWISE SPECIFIED DIMENSIONS ARE IN INCHES AND INCLUDE CHEMICALLY APPLIED OR PLATED FINISHES

TOLERANCES ON
 DECIMALS FRACTIONS
 .X ± .05 ± 1/64
 .XX ± .01 ANGLES
 .XXX ± .005 ± 0° -30'