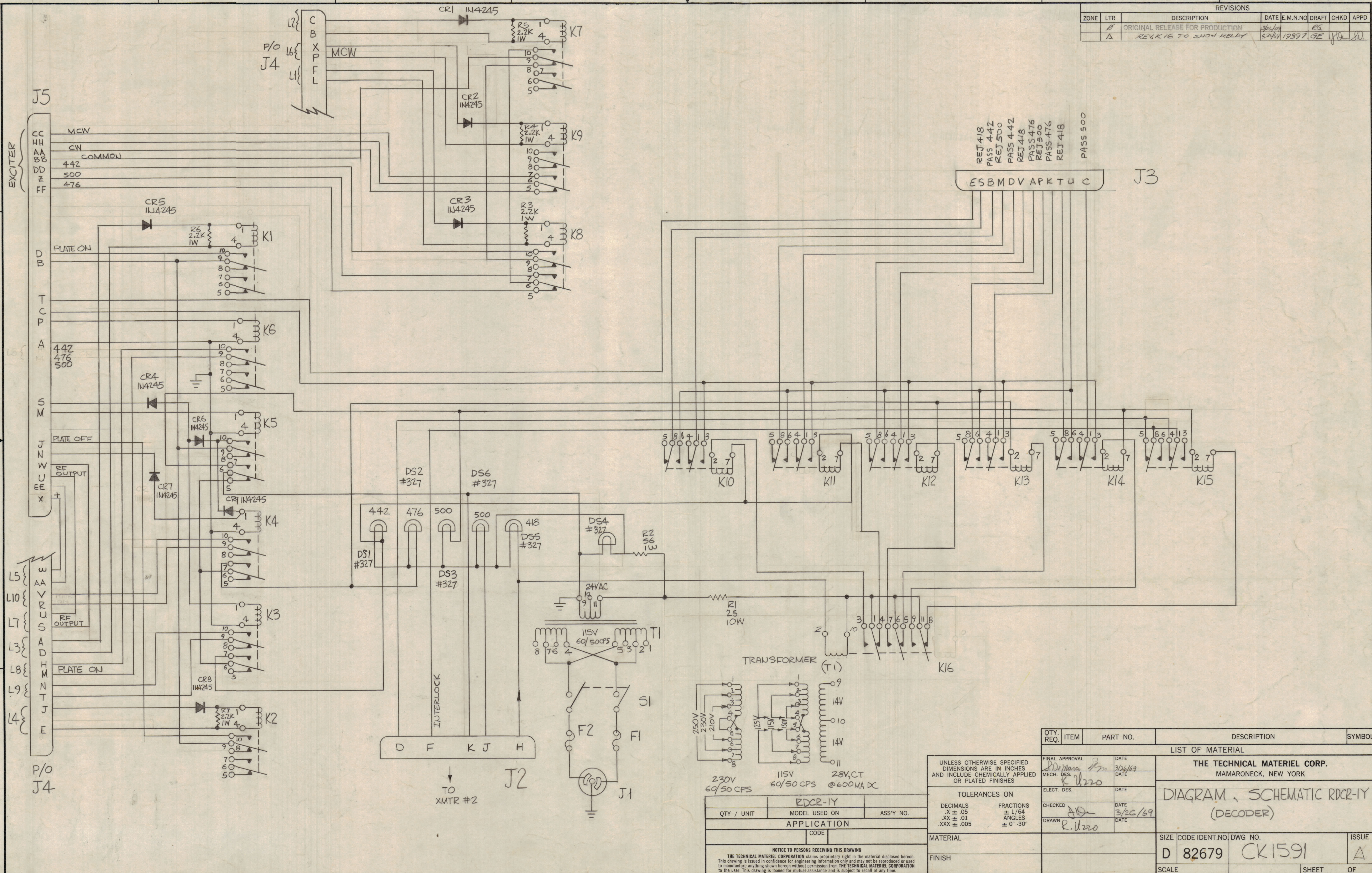


ZONE		LTR	DESCRIPTION	DATE	E.M.N.NO	DRAFT	CHKD	APPD
			ORIGINAL RELEASE FOR PRODUCTION	3/26/69			EG	
			REV. K16 TO SHOW RELAY	4/24/69	19397		GE	



REJ 418  
PASS 442  
REJ 500  
PASS 442  
REJ 418  
PASS 476  
REJ 500  
PASS 476  
REJ 418  
PASS 500

QTY. REQ.	ITEM	PART NO.	DESCRIPTION	SYMBOL
LIST OF MATERIAL				
THE TECHNICAL MATERIEL CORP. MAMARONECK, NEW YORK				
DIAGRAM, SCHEMATIC RDCE-1Y (DECODER)				
FINAL APPROVAL		DATE	3/26/69	
MECH. DES.		DATE	3/26/69	
ELECT. DES.		DATE	3/26/69	
CHECKED		DATE	3/26/69	
DRAWN		DATE	3/26/69	
MATERIAL				
FINISH				
SIZE		CODE IDENT. NO.	DWG. NO.	ISSUE
D		82679	CK1591	Δ
SCALE				SHEET OF

RDCE-1Y		
QTY / UNIT	MODEL USED ON	ASS'Y NO.
APPLICATION		
CODE		
NOTICE TO PERSONS RECEIVING THIS DRAWING		
<small>THE TECHNICAL MATERIEL CORPORATION claims proprietary right in the material disclosed hereon. This drawing is issued in confidence for engineering information only and may not be reproduced or used to manufacture anything shown herein without permission from THE TECHNICAL MATERIEL CORPORATION to the user. This drawing is loaned for mutual assistance and is subject to recall at any time.</small>		