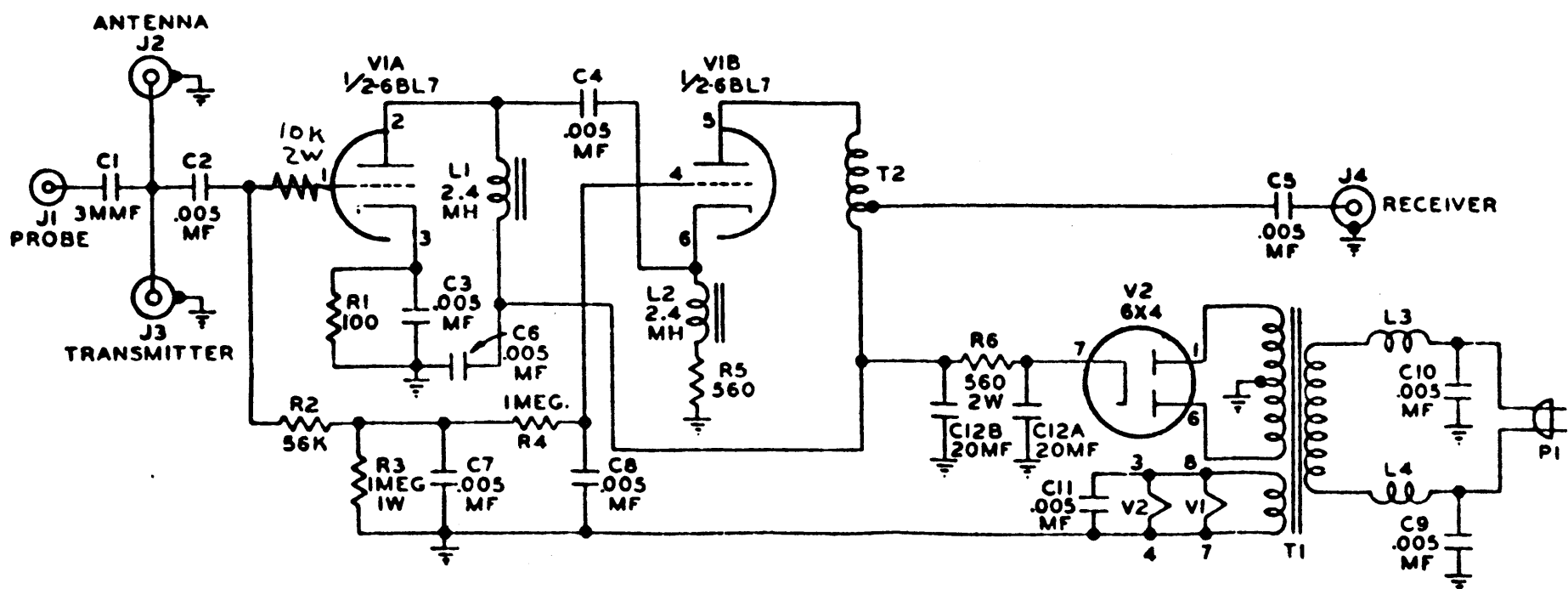


REVISIONS						
ZONE	LTR	DESCRIPTION	DATE	E.M.N.NO	DRAFT	APPD
	X	EXPERIMENTAL RELEASE	12/10/68			<i>[Signature]</i>
	Ø	ORIG. RELEASE FOR PROD	12-10-68	Ø	R.G.	<i>[Signature]</i>



ALL RESISTORS 1/2 WATT UNLESS OTHERWISE SPECIFIED
 ALL RESISTANCE VALUES IN OHMS UNLESS OTHERWISE SPECIFIED
 I-2-58

QTY / UNIT	AX5052	MODEL USED ON	ASS'Y NO.
APPLICATION			
CODE			

NOTICE TO PERSONS RECEIVING THIS DRAWING
 THE TECHNICAL MATERIEL CORPORATION claims proprietary right in the material disclosed hereon. This drawing is issued in confidence for engineering information only and may not be reproduced or used to manufacture anything shown hereon without permission from THE TECHNICAL MATERIEL CORPORATION to the user. This drawing is loaned for mutual assistance and is subject to recall at any time.

UNLESS OTHERWISE SPECIFIED DIMENSIONS ARE IN INCHES AND INCLUDE CHEMICALLY APPLIED OR PLATED FINISHES	
DECIMALS .X ± .05 .XX ± .01 .XXX ± .005	FRACTIONS 1/64 ANGLES 0° .30'
MATERIAL	
FINISH	

REQ'D	ITEM	PART NUMBER	DESCRIPTION	SYM.
BUDETTI LIST OF MATERIAL				
THE TECHNICAL MATERIEL CORP. MAMARONECK, NEW YORK				
DIAGRAM, SCHEMATIC				
SIZE	CODE IDENT. NO.	DWG NO.	ISSUE	
B	82679	CK 1589	<i>[Signature]</i>	
SCALE	SHEET		OF	