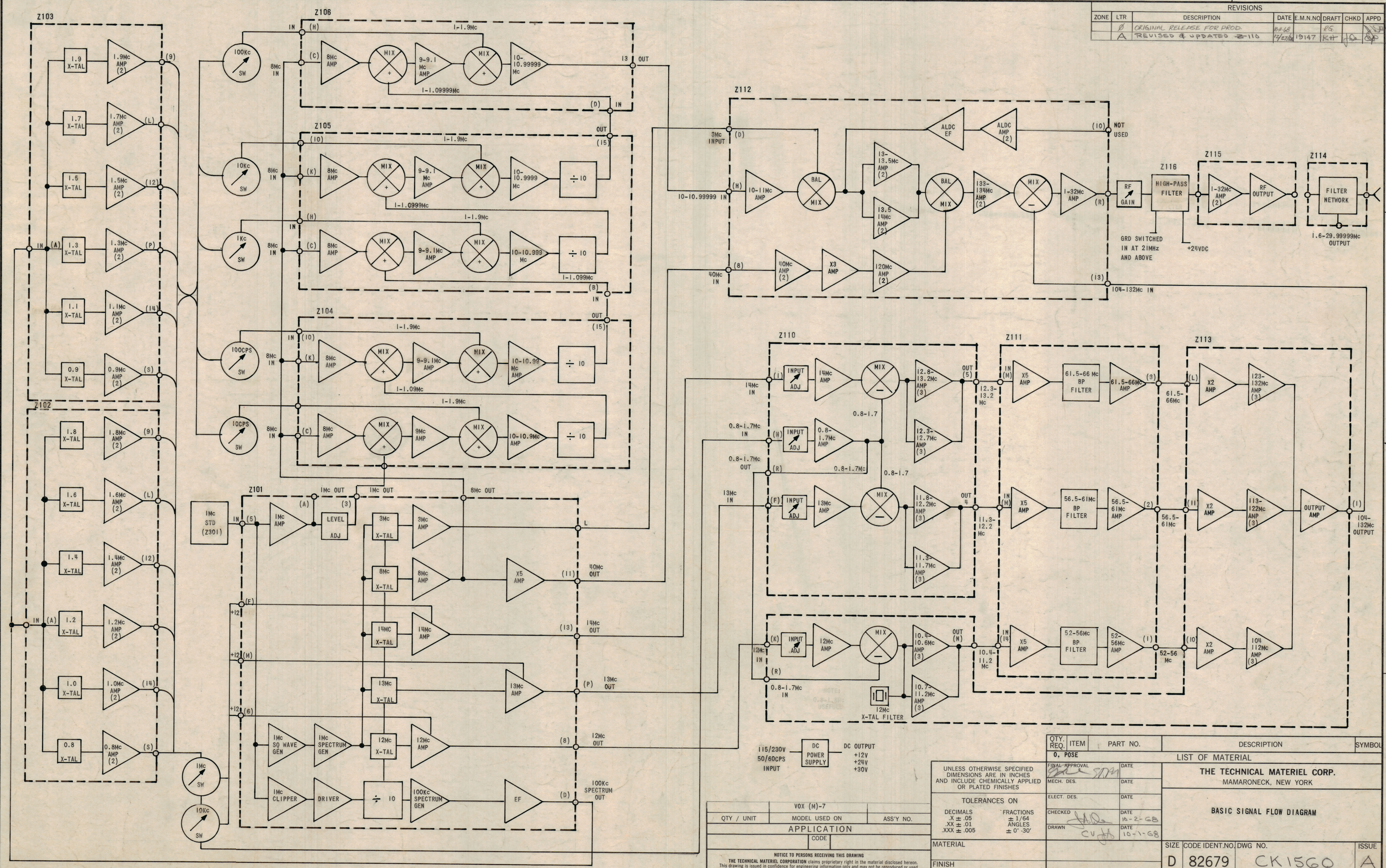


REVISIONS						
ZONE	LTR	DESCRIPTION	DATE	E.M.N.NO	DRAFT	CHKD
	B	ORIGINAL RELEASE FOR PROD	8-1-68			RG
	A	REVISED & UPDATED Z-110	12/21/68	19147		KH



115/230V 50/60CPS INPUT	DC POWER SUPPLY	DC OUTPUT +12V +24V +30V
VOX (M)-7		
QTY / UNIT	MODEL USED ON	ASS'Y NO.
APPLICATION		
CODE		
MATERIAL		
FINISH		

UNLESS OTHERWISE SPECIFIED DIMENSIONS ARE IN INCHES AND INCLUDE CHEMICALLY APPLIED OR PLATED FINISHES		TOLERANCES ON	
DECIMALS .X ± .05 .XX ± .01 .XXX ± .005	FRACTIONS ± 1/64 ANGLES ± 0° - 30'	CHECKED <i>[Signature]</i>	DATE 12-2-68
DRAWN <i>[Signature]</i>		DATE 10-1-68	

QTY. REQ.	ITEM	PART NO.	DESCRIPTION	SYMBOL
0	POSE		LIST OF MATERIAL	
FINAL APPROVAL <i>[Signature]</i> 8/21/68 MECH. DES. DATE ELECT. DES. DATE CHECKED DRAWN DATE				
<b>THE TECHNICAL MATERIEL CORP.</b> MAMARONECK, NEW YORK				
<b>BASIC SIGNAL FLOW DIAGRAM</b>				
SIZE	CODE IDENT. NO.	DWG NO.	ISSUE	
D	82679	CK1560	A	
SCALE				SHEET OF

NOTICE TO PERSONS RECEIVING THIS DRAWING  
 THE TECHNICAL MATERIEL CORPORATION claims proprietary right in the material disclosed herein.  
 This drawing is issued in confidence for engineering information only and may not be reproduced or used  
 to manufacture anything shown herein without permission from THE TECHNICAL MATERIEL CORPORATION  
 to the user. This drawing is loaned for mutual assistance and is subject to recall at any time.