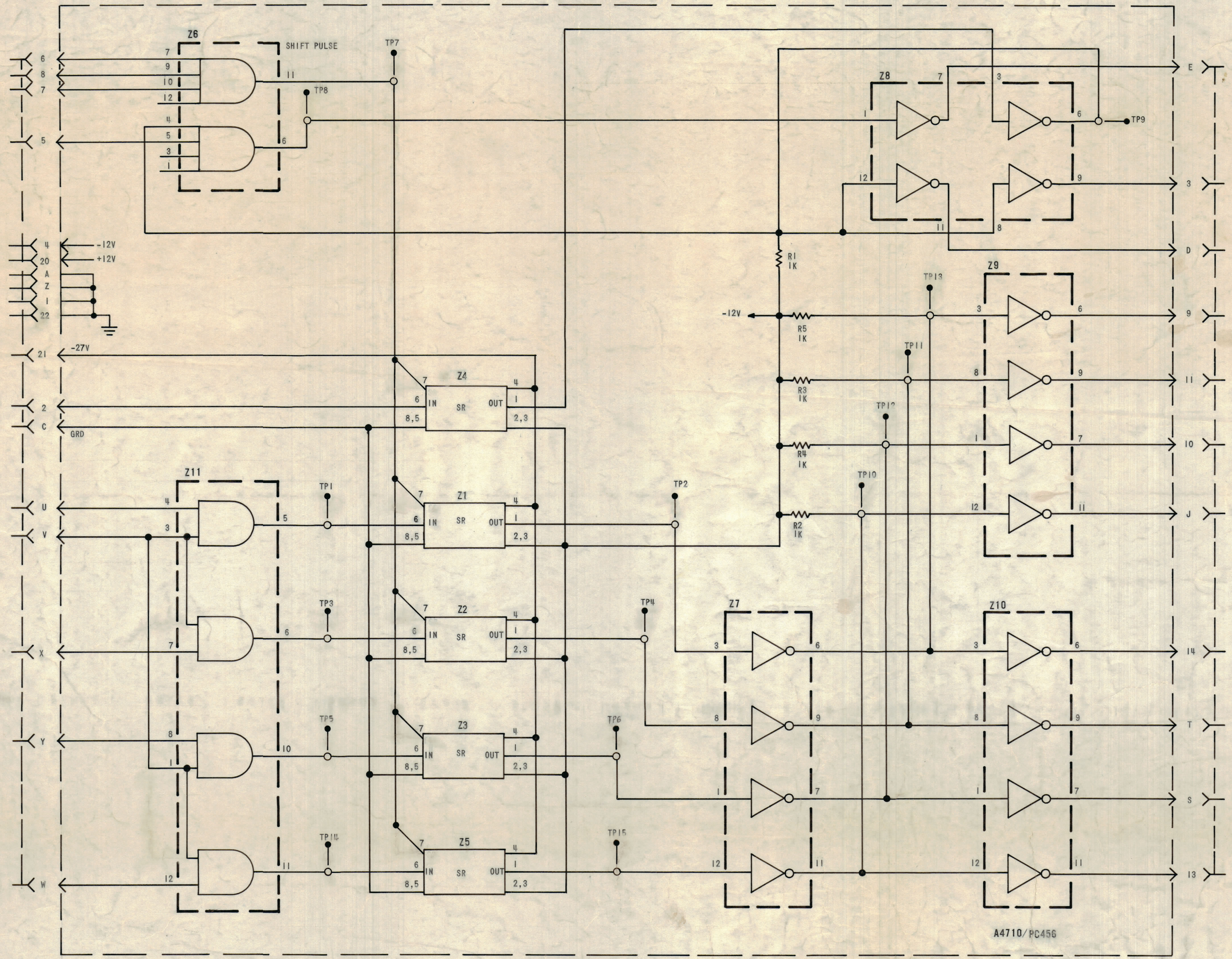


REVISIONS						
ZONE	LTR	DESCRIPTION	DATE	E.M.N.NO	DRAFT	CHKD APPD
	X					
	X1	REV. & CLARIFIED	1/24/69			LH
	X2	REV. & UPDATED	6/13/69			GE
	X3	REV. & CLARIFIED	4/22/69			ELH
	Ø	ORIGINAL RELEASE FOR PRODUCTION	8/17/69			CV
	A	Z NUMBERS REVISED	7-17-70	19789	CV	WJ SD



MODULE VOLTAGE & GND CHART

SYMBOL	PIN CONNECTIONS			
	+12V	-12V	GND	-27V
Z1 THRU Z5		2,3	5,8	4
Z6, Z11		2		
Z7, Z8, Z9, Z10	10		5	

LAST SYMBOL	MISSING SYMBOL
R5 TP15 Z11	

- UNLESS OTHERWISE SPECIFIED:
- ALL RESISTOR VALUES ARE IN OHMS, 1/4W.
 - PARTIAL REFERENCE DESIGNATIONS ARE SHOWN; FOR COMPLETE DESIGNATION, PREFIX WITH UNIT NUMBER AND SUB-ASSEMBLY DESIGNATION (S) AS APPLICABLE.

QTY. REQ.	ITEM	PART NO.	DESCRIPTION	SYMBOL
S. DEMARCO LIST OF MATERIAL				
FINAL APPROVAL		DATE	THE TECHNICAL MATERIEL CORP.	
MECH. DES.		DATE	MAMARONECK, NEW YORK	
ELECT. DES.		DATE	DIAGRAM, SCHEMATIC	
CHECKED		DATE	SHIFT REGISTER	
DRAWN		DATE		
MATERIAL		SIZE	CODE IDENT. NO.	DWG. NO.
FINISH		D	82679	CK 1551
		SCALE		SHEET OF

2	RTMU-82, 42A	A4710
1	RTMU-11 ()	A4710
QTY / UNIT	MODEL USED ON	ASS'Y NO.
APPLICATION		
CODE		
NOTICE TO PERSONS RECEIVING THIS DRAWING		
THE TECHNICAL MATERIEL CORPORATION claims proprietary right in the material disclosed herein. This drawing is issued in confidence for engineering information only and may not be reproduced or used to manufacture anything shown hereon without permission from THE TECHNICAL MATERIEL CORPORATION to the user. This drawing is loaned for mutual assistance and is subject to recall at any time.		