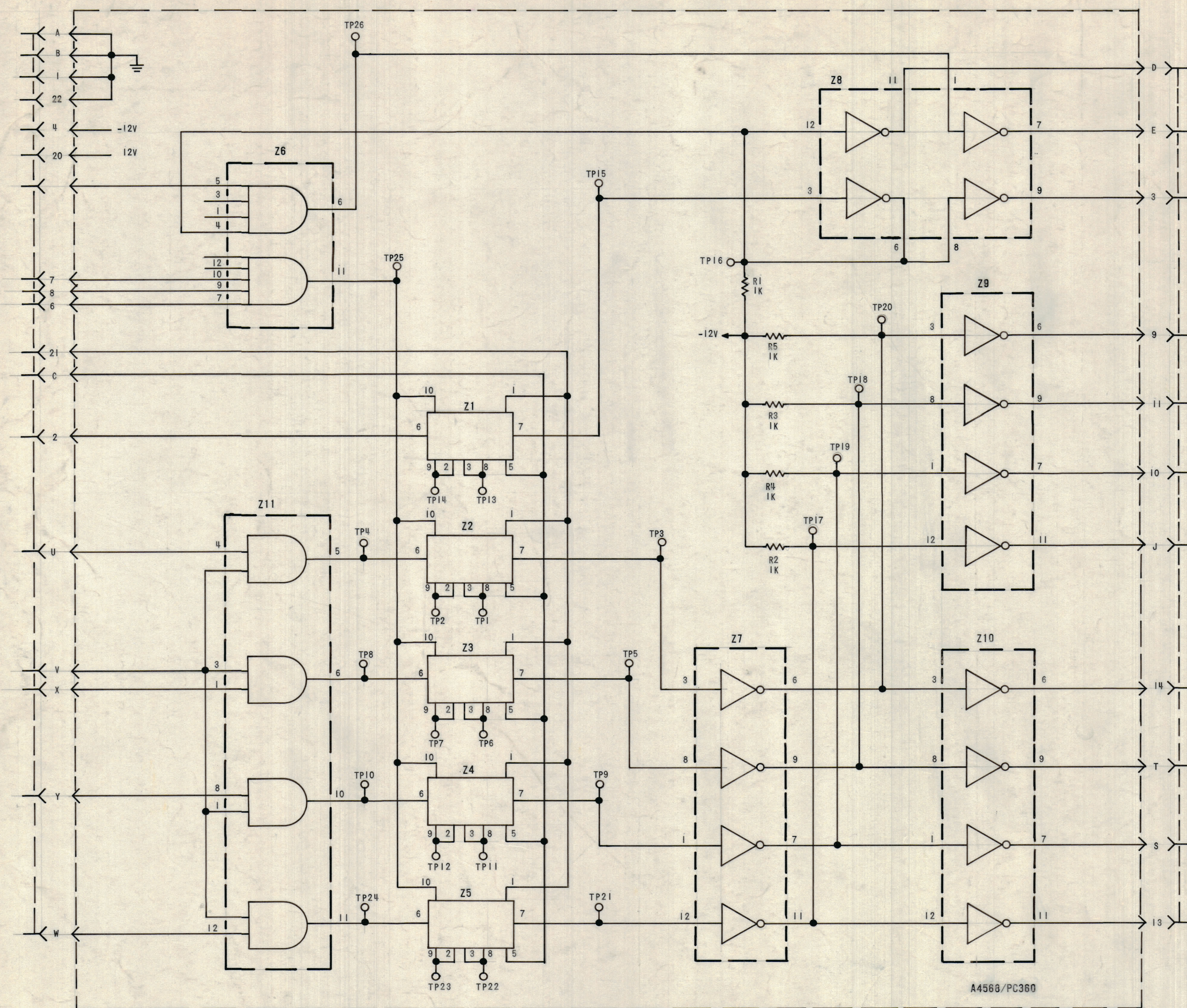


REVISIONS						
ZONE	LTR	DESCRIPTION	DATE	E.M.N.NO	DRAFT	CHKD APPD
	X	EXPERIMENTAL RELEASE	9/16/68	X	HG	Q



MODULE VOLTAGE & GRD CHART

SYMBOL	PIN CONNECTIONS		
	+12V	-12V	GRD
Z1 THRU Z5	10	2	5
Z6, Z11		2	
Z7, Z8, Z9, Z10	10		5

LAST SYMBOL	MISSING SYMBOL
R5 TP26 Z11	

UNLESS OTHERWISE SPECIFIED:
1. ALL RESISTOR VALUES ARE IN OHMS, 1/4W.

I	RTM-41C	A4568
QTY / UNIT	MODEL USED ON	ASS'Y NO.
APPLICATION		
CODE		
NOTICE TO PERSONS RECEIVING THIS DRAWING		
THE TECHNICAL MATERIEL CORPORATION claims proprietary right in the material disclosed hereon. This drawing is issued in confidence for engineering information only and may not be reproduced or used to manufacture anything shown hereon without permission from THE TECHNICAL MATERIEL CORPORATION to the user. This drawing is loaned for mutual assistance and is subject to recall at any time.		

QTY. REQ.	ITEM	PART NO.	DESCRIPTION	SYMBOL
S. DEMARCO				
LIST OF MATERIAL				
FINAL APPROVAL		DATE		
MECH. DES.		DATE		
ELECT. DES.		DATE		
CHECKED		DATE 9/17/68		
DRAWN		DATE 9-16-68		
MATERIAL		SIZE CODE IDENT.NO. DWG NO.		
FINISH		D 82679 CK 1548		
SCALE		SHEET OF		

B
CK 1548
X