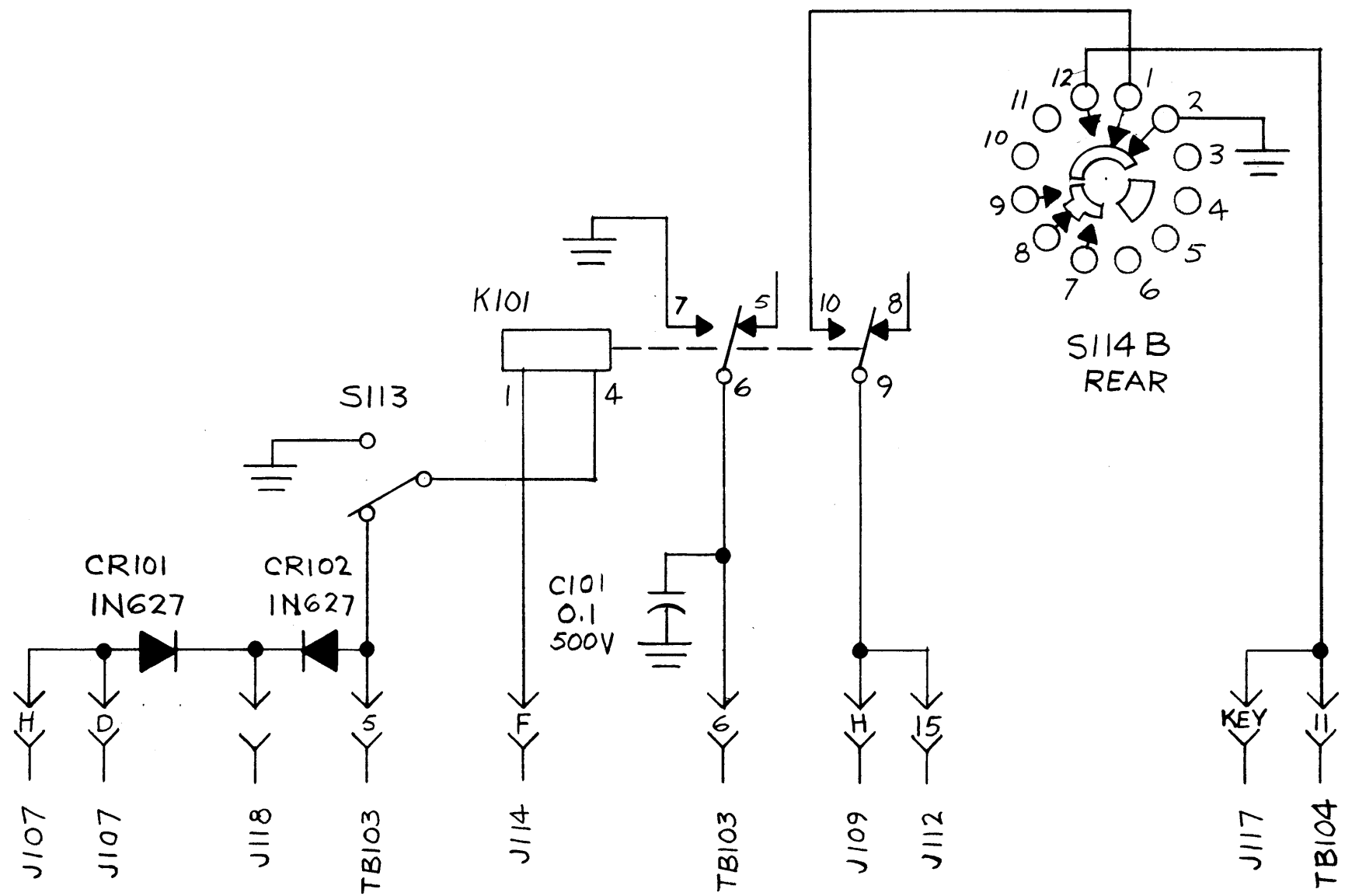


REVISIONS						
ZONE	LTR	DESCRIPTION	DATE	E.M.N.NO	DRAFT	CHKD APPD
	X	EXP. RELEASE	7.1.68			H.S. / M. QALB
	Ø	ORIG. RELEASE FOR PROD.	3/21/69		RG	



100 SERIES	
LAST SYMBOL	MISSING SYMBOL
CR101	
CR102	
K101	
S114	S101 - S112

SBTM-1KJD		
QTY / UNIT	MODEL USED ON	ASS'Y NO.
APPLICATION		
CODE		
<p>NOTICE TO PERSONS RECEIVING THIS DRAWING THE TECHNICAL MATERIEL CORPORATION claims proprietary right in the material disclosed hereon. This drawing is issued in confidence for engineering information only and may not be reproduced or used to manufacture anything shown hereon without permission from THE TECHNICAL MATERIEL CORPORATION to the user. This drawing is loaned for mutual assistance and is subject to recall at any time.</p>		

UNLESS OTHERWISE SPECIFIED DIMENSIONS ARE IN INCHES AND INCLUDE CHEMICALLY APPLIED OR PLATED FINISHES	
DECIMALS .X ± .05 .XX ± .01 .XXX ± .005	FRACTIONS 1/64 ANGLES 0° - 30'
MATERIAL	
FINISH	

REQ'D	ITEM	PART NUMBER	DESCRIPTION	SYM.
F. BUDETTI LIST OF MATERIAL				
FINAL APPROVAL: <i>[Signature]</i> DATE: 3-22-69 MECH. DES. DATE: ELECT. DES. DATE: 3-22-69 CHECKED: DATE: DRAWN: H.S. DATE: 7.1.68				
THE TECHNICAL MATERIEL CORP. MAMARONECK, NEW YORK DIAGRAM, SCHEMATIC MODIFICATION FOR MMX 1KW XMTR				
SIZE	CODE IDENT. NO.	DWG NO.	ISSUE	
B	82679	CK 1538	Ø	
SCALE			SHEET OF	