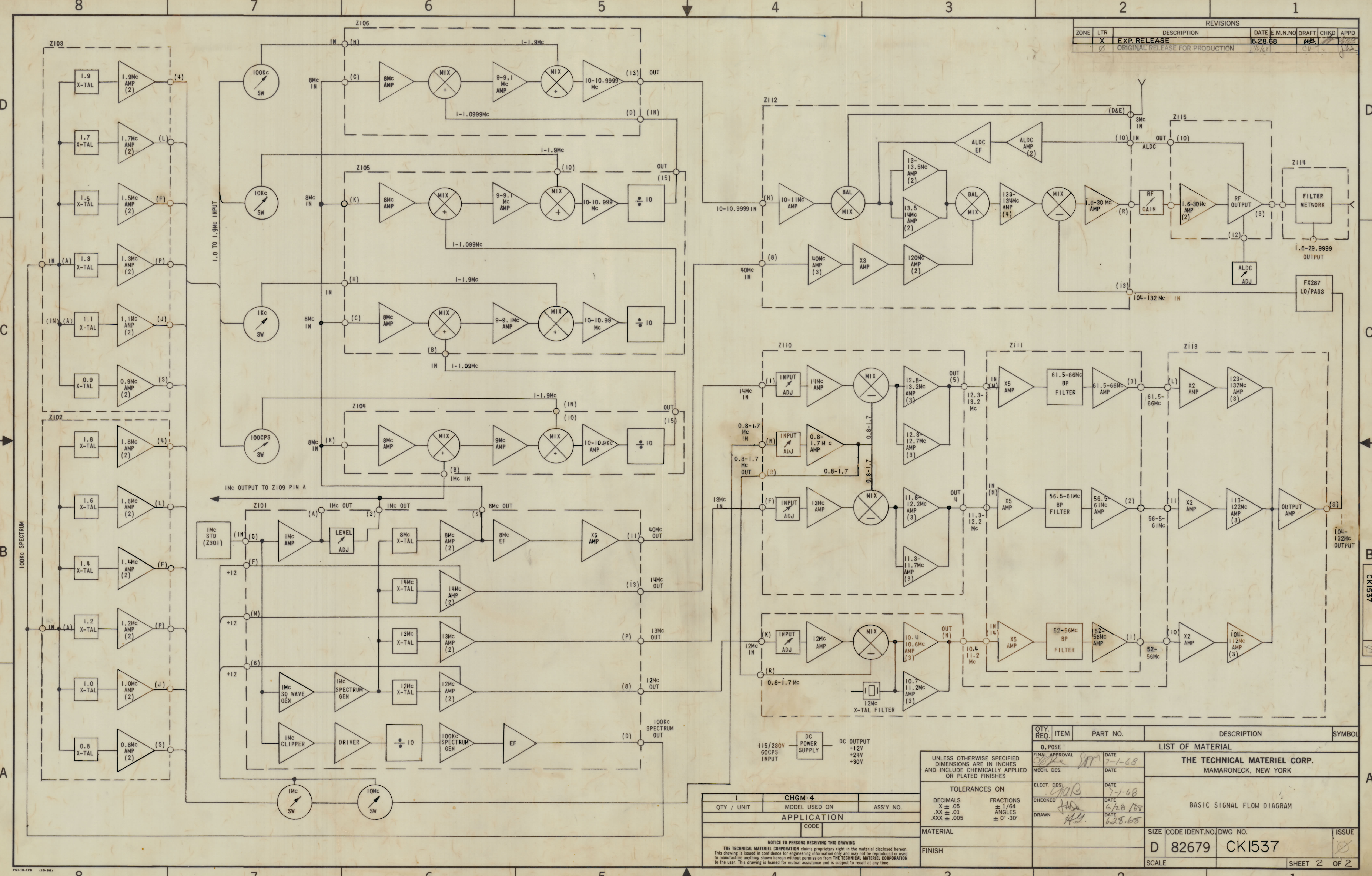


REVISIONS						
ZONE	LTR	DESCRIPTION	DATE	E.M.N.NO	DRAFT	CHKD
X		EXP RELEASE	6.28.68			
2		ORIGINAL RELEASE FOR PRODUCTION	7/6/68			



QTY. REQ.	ITEM	PART NO.	DESCRIPTION	SYMBOL
O. POSE				
LIST OF MATERIAL				
THE TECHNICAL MATERIEL CORP. MAMARONECK, NEW YORK				
BASIC SIGNAL FLOW DIAGRAM				
SIZE		CODE	IDENT. NO.	DWG. NO.
D		82679	CK1537	
SCALE		SHEET 2 OF 2		

TOLERANCES ON	
DECIMALS	FRACTIONS
.X ± .05	± 1/64
.XX ± .01	ANGLES
.XXX ± .005	± 0°-30'

CHGM-4		
QTY / UNIT	MODEL USED ON	ASS'Y NO.
APPLICATION		
CODE		

NOTICE TO PERSONS RECEIVING THIS DRAWING  
 THE TECHNICAL MATERIEL CORPORATION claims proprietary right in the material disclosed hereon. This drawing is issued in confidence for engineering information only and may not be reproduced or used to manufacture anything shown hereon without permission from THE TECHNICAL MATERIEL CORPORATION to the user. This drawing is loaned for mutual assistance and is subject to recall at any time.