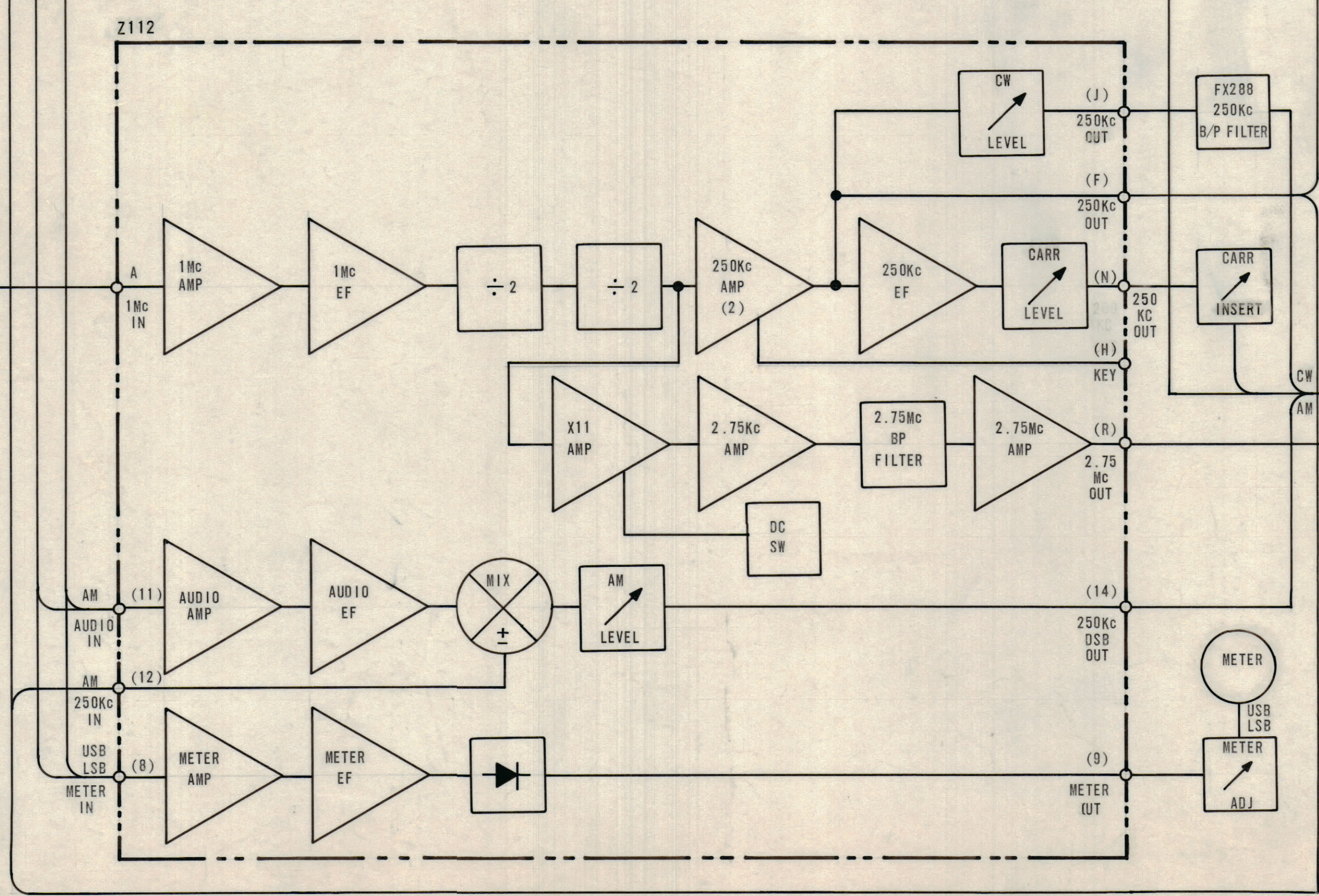
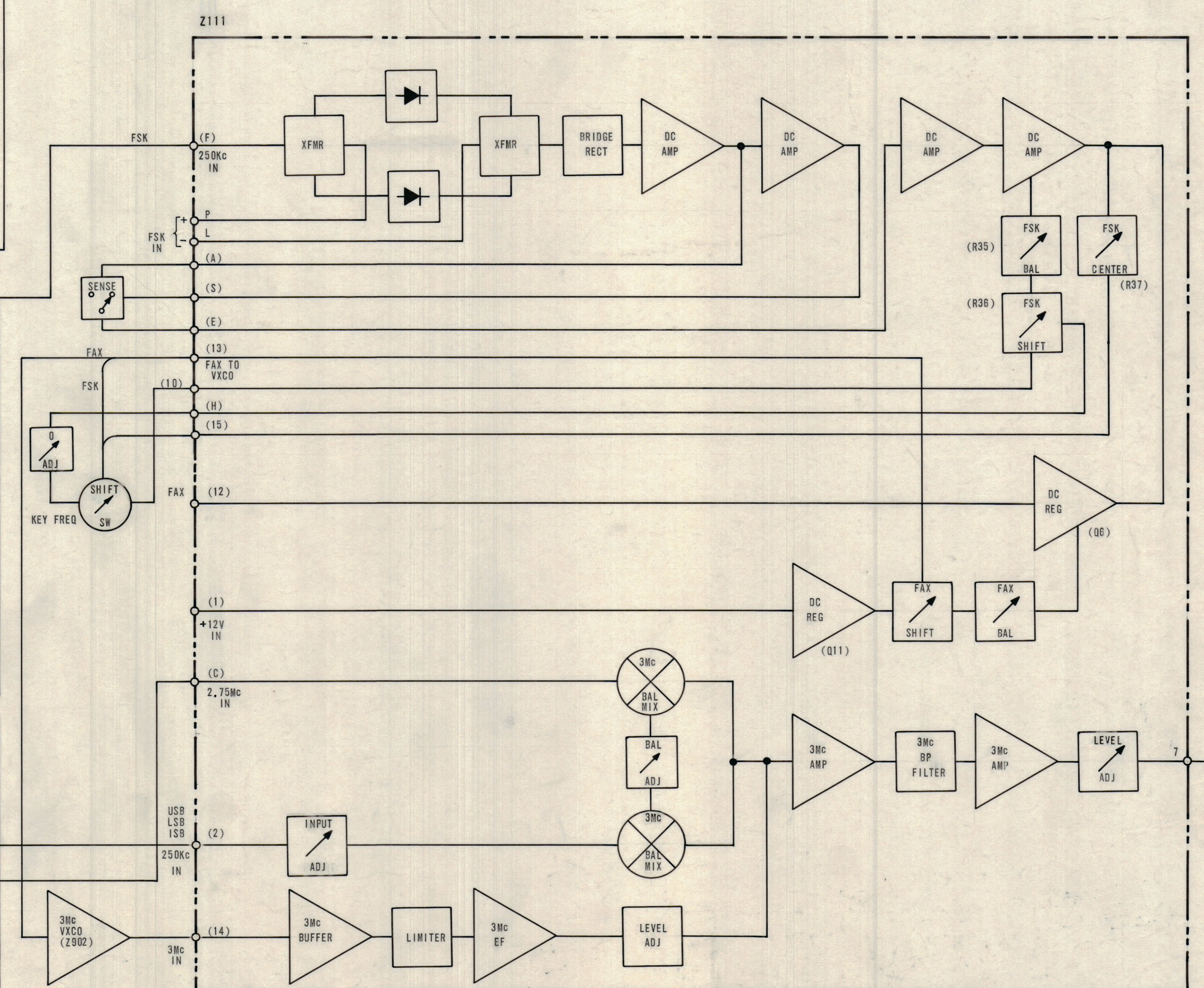
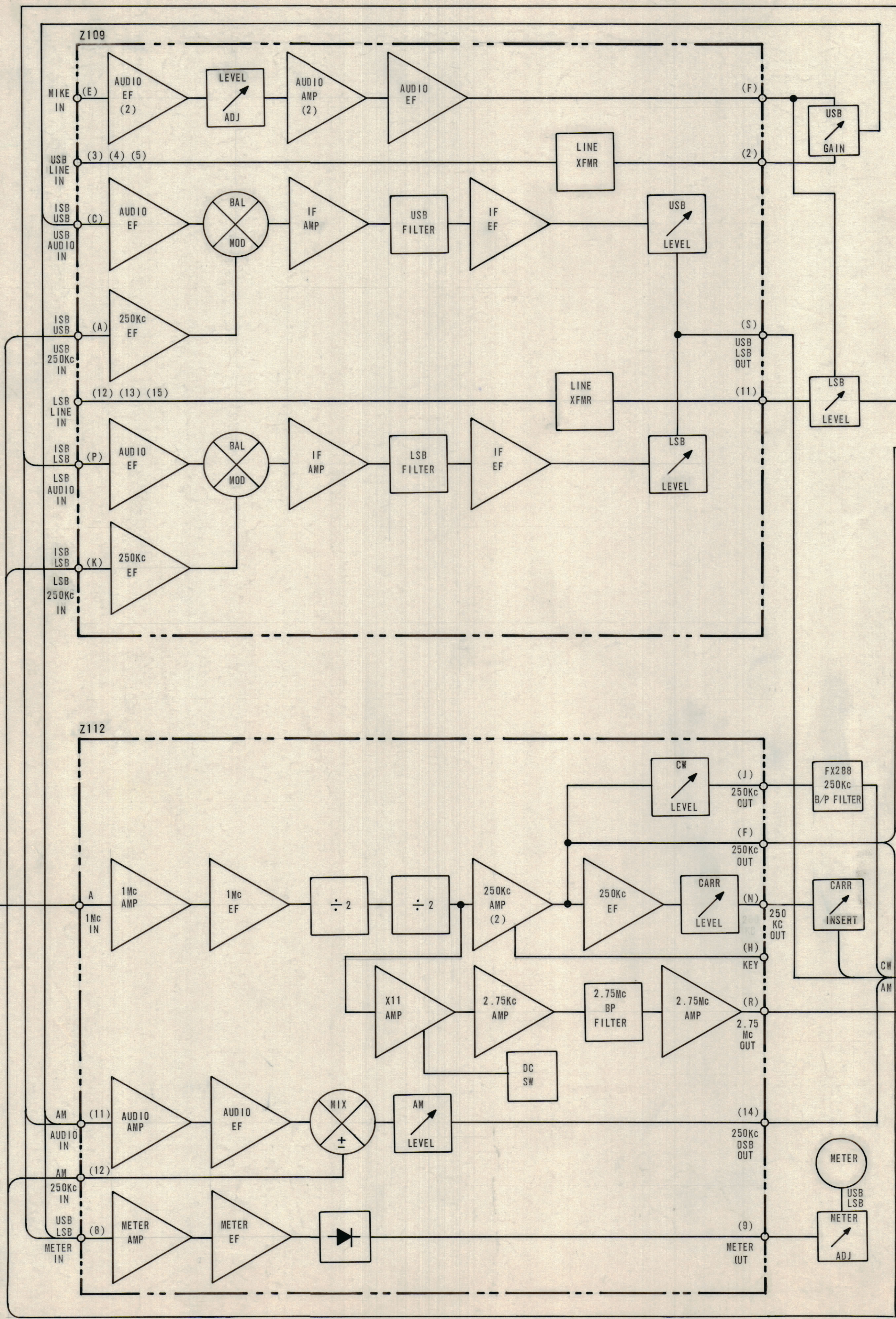


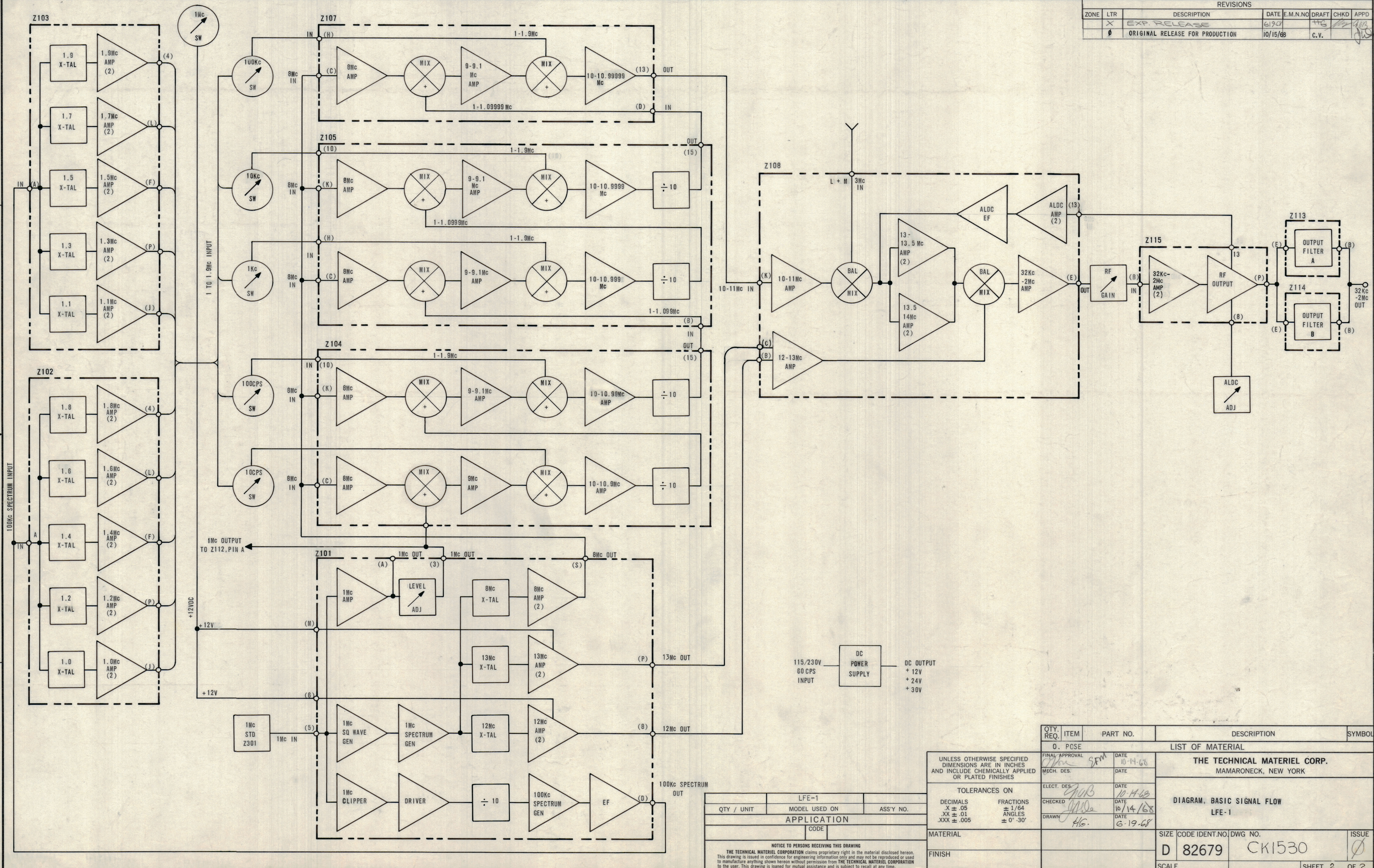
ZONE		LTR		DESCRIPTION		REVISIONS		DATE	E.M.N.NO	DRAFT	CHKD	APPD
		X		EXP. RELEASE				6/20/68		HS		
		0		ORIGINAL RELEASE FOR PRODUCTION				10/15/68		C.V.		



QTY. REQ.	ITEM	PART NO.	DESCRIPTION	SYMBOL
0	POSE		LIST OF MATERIAL	
<p>UNLESS OTHERWISE SPECIFIED DIMENSIONS ARE IN INCHES AND INCLUDE CHEMICALLY APPLIED OR PLATED FINISHES</p> <p>TOLERANCES ON DECIMALS .X ± .05 .XX ± .01 .XXX ± .005 FRACTIONS ± 1/64 ANGLES ± 0°-30'</p>				
<p>FINAL APPROVAL: <i>[Signature]</i> DATE: 10/14/68</p> <p>MECH. DES. DATE: 10/14/68</p> <p>ELECT. DES. <i>[Signature]</i> DATE: 10/14/68</p> <p>CHECKED: <i>[Signature]</i> DATE: 10/14/68</p> <p>DRAWN: HG DATE: 6-20-68</p>				
<p>THE TECHNICAL MATERIEL CORP. MAMARONECK, NEW YORK</p>			<p>DIAGRAM, BASIC SIGNAL FLOW LFE-1</p>	
<p>QTY / UNIT</p>		<p>MODEL USED ON</p>		<p>ASS'Y NO.</p>
<p>APPLICATION</p>				
<p>CODE</p>				
<p>MATERIAL</p>				
<p>FINISH</p>				
<p>SIZE</p>		<p>CODE IDENT. NO.</p>		<p>DWG NO.</p>
<p>D 82679</p>		<p>CK1530</p>		<p>ISSUE</p>
<p>SCALE</p>				
<p>SHEET 1 OF 2</p>				<p>1</p>

NOTICE TO PERSONS RECEIVING THIS DRAWING
 THE TECHNICAL MATERIEL CORPORATION claims proprietary right in the material disclosed hereon. This drawing is issued in confidence for engineering information only and may not be reproduced or used to manufacture anything shown hereon without permission from THE TECHNICAL MATERIEL CORPORATION to the user. This drawing is loaned for mutual assistance and is subject to recall at any time.

ZONE		LTR		DESCRIPTION		REVISIONS		DATE	E.M.N.NO	DRAFT	CHKD	APPD
X		EXP RELEASE		6/19/68				10/15/68				
0		ORIGINAL RELEASE FOR PRODUCTION		10/15/68								



LFE-1		
QTY / UNIT	MODEL USED ON	ASS'Y NO.
APPLICATION		
CODE		
MATERIAL		
FINISH		

TOLERANCES ON	
DECIMALS	FRACTIONS
.X ± .05	± 1/64
.XX ± .01	ANGLES
.XXX ± .005	± 0° -30'

QTY. REQ.	ITEM	PART NO.	DESCRIPTION	SYMBOL
LIST OF MATERIAL				
0. PCSE				
THE TECHNICAL MATERIEL CORP. MAMARONECK, NEW YORK				
DIAGRAM, BASIC SIGNAL FLOW LFE-1				
SIZE	CODE IDENT.NO.	DWG NO.	ISSUE	
D	82679	CK1530	1	
SCALE				SHEET 2 OF 2

NOTICE TO PERSONS RECEIVING THIS DRAWING
 THE TECHNICAL MATERIEL CORPORATION claims proprietary right in the material disclosed hereon. This drawing is issued in confidence for engineering information only and may not be reproduced or used to manufacture anything shown hereon without permission from THE TECHNICAL MATERIEL CORPORATION to the user. This drawing is loaned for mutual assistance and is subject to recall at any time.