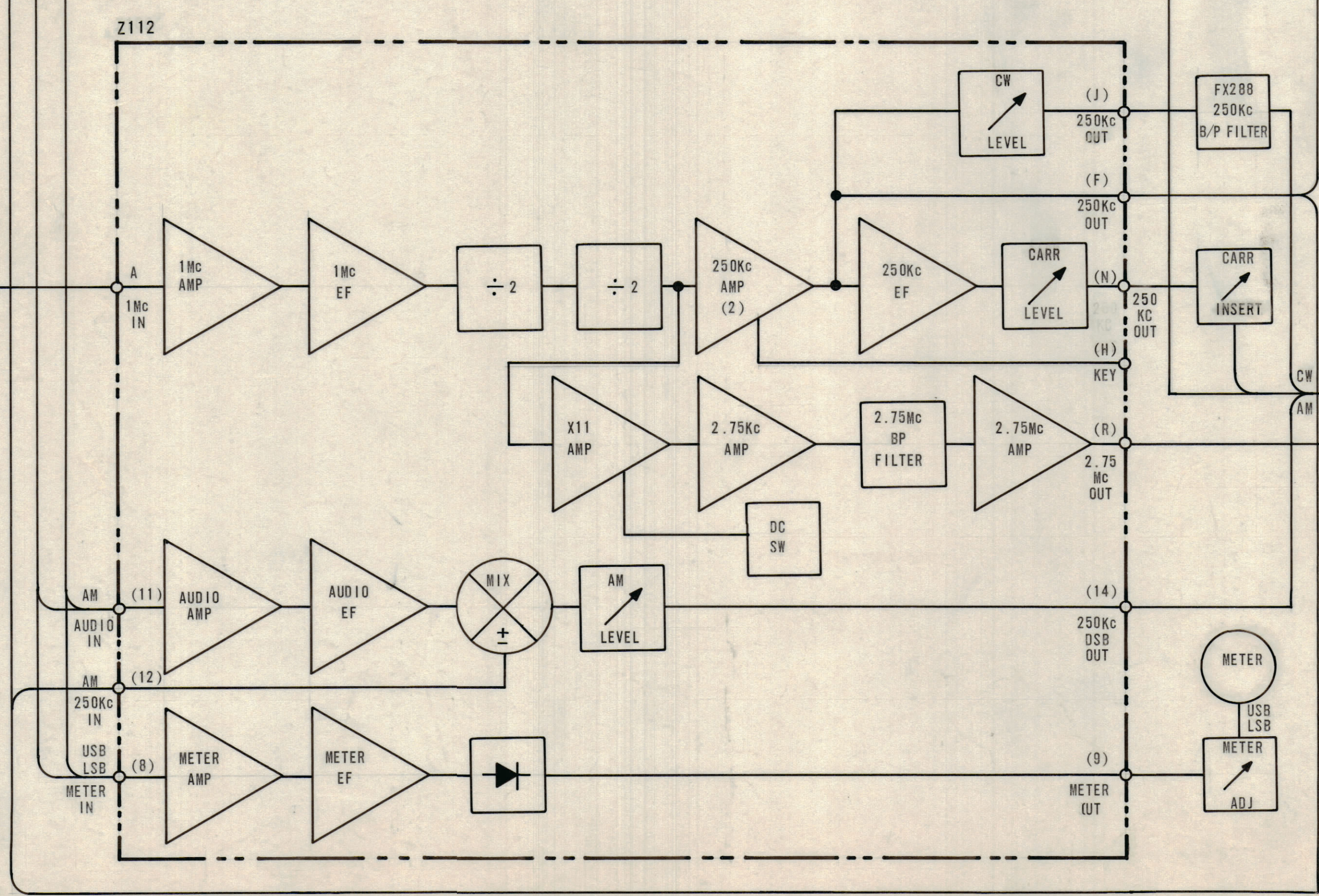
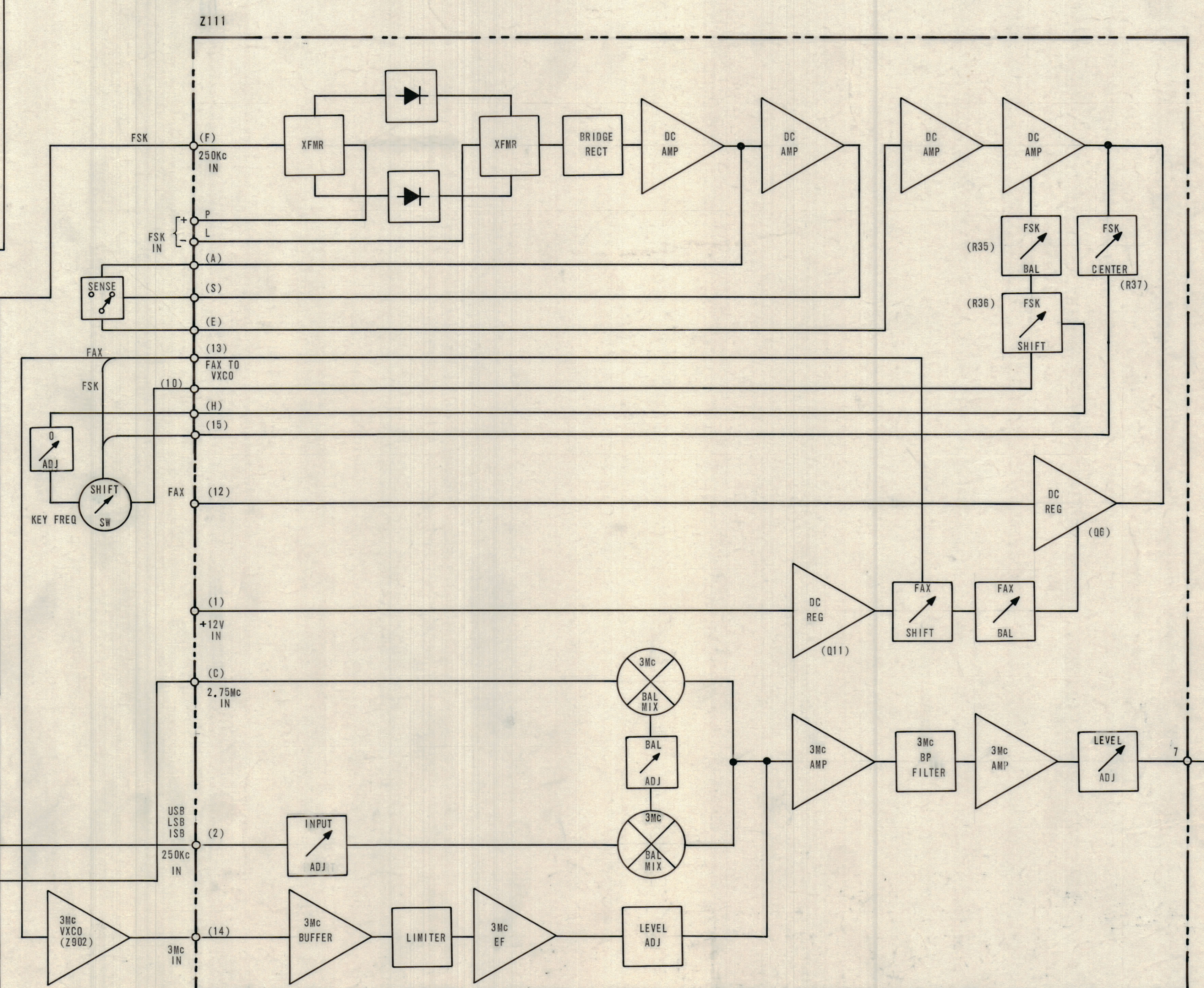
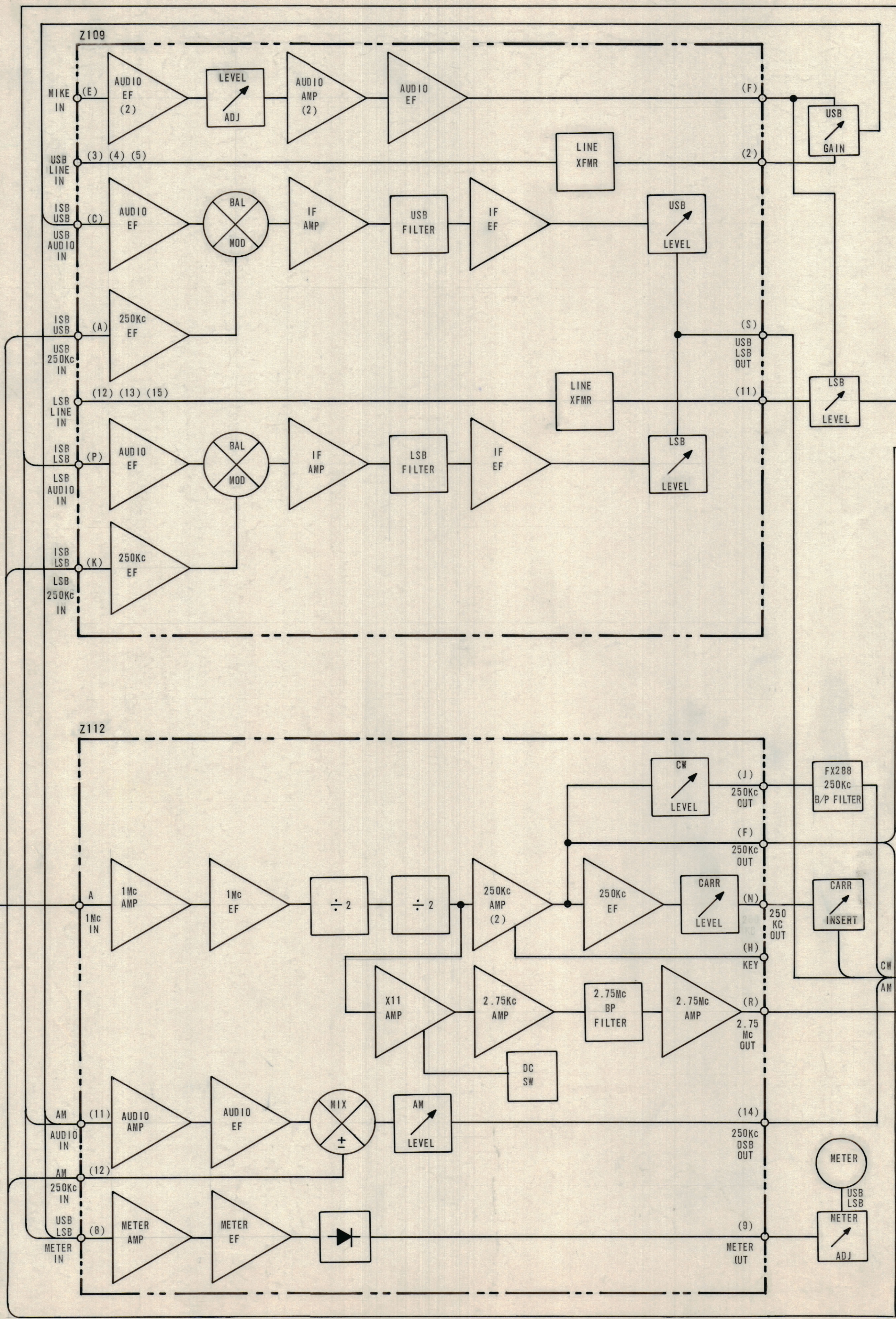


ZONE		LTR		DESCRIPTION		DATE		E.M.N.NO		DRAFT		CHKD		APPD	
X		Y		EXP. RELEASE		6/20/68		HS		HG		10/15/68		C.V.	
0		0		ORIGINAL RELEASE FOR PRODUCTION		10/15/68		C.V.		HG		10/15/68		C.V.	



QTY. REQ.	ITEM	PART NO.	DESCRIPTION	SYMBOL
0	POSE		LIST OF MATERIAL	
<p>UNLESS OTHERWISE SPECIFIED DIMENSIONS ARE IN INCHES AND INCLUDE CHEMICALLY APPLIED OR PLATED FINISHES</p> <p>TOLERANCES ON DECIMALS .X ± .05 .XX ± .01 .XXX ± .005 FRACTIONS ± 1/64 ANGLES ± 0°-30'</p>				
<p>FINAL APPROVAL: <i>[Signature]</i> DATE: 10/14/68</p> <p>MECH. DES. DATE: 10/14/68</p> <p>ELECT. DES. <i>[Signature]</i> DATE: 10/14/68</p> <p>CHECKED: <i>[Signature]</i> DATE: 10/14/68</p> <p>DRAWN: HG DATE: 6-20-68</p>				
<p>THE TECHNICAL MATERIEL CORP. MAMARONECK, NEW YORK</p>			<p>DIAGRAM, BASIC SIGNAL FLOW LFE-1</p>	
<p>QTY / UNIT</p>		<p>LFE-1</p>		<p>ISSUE</p>
<p>MODEL USED ON</p>		<p>ASS'Y NO.</p>		<p>SCALE</p>
<p>APPLICATION</p>				
<p>CODE</p>				
<p>MATERIAL</p>				
<p>FINISH</p>				
<p>SIZE</p>		<p>CODE IDENT. NO.</p>		<p>DWG NO.</p>
<p>D</p>		<p>82679</p>		<p>CK1530</p>
<p>SHEET 1 OF 2</p>				

NOTICE TO PERSONS RECEIVING THIS DRAWING
 THE TECHNICAL MATERIEL CORPORATION claims proprietary right in the material disclosed hereon. This drawing is issued in confidence for engineering information only and may not be reproduced or used to manufacture anything shown hereon without permission from THE TECHNICAL MATERIEL CORPORATION to the user. This drawing is loaned for mutual assistance and is subject to recall at any time.