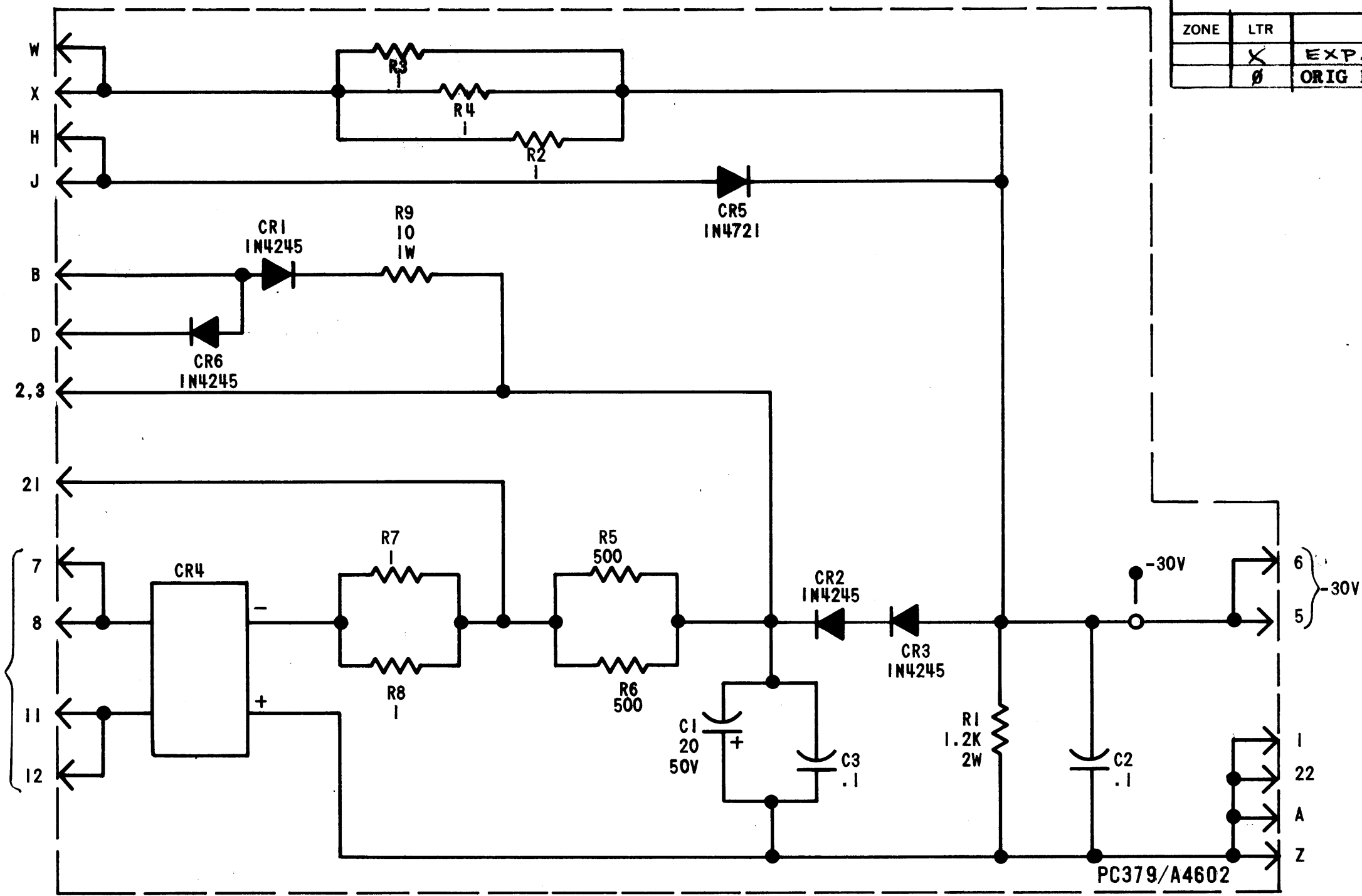


REVISIONS						
ZONE	LTR	DESCRIPTION	DATE	E.M.N.NO	DRAFT	CHKD APPD
	X	EXP. RELEASE	5/19/69		GE	SD
	Ø	ORIG RELEASE FOR PROD	7/19/69		CV	



UNLESS OTHERWISE SPECIFIED:

1. ALL RESISTANCE VALUES ARE IN OHMS, 5WATT
2. ALL CAPACITANCE VALUES ARE IN MICROFARADS
3. PARTIAL REFERENCE DESIGNATION ARE SHOWN; FOR COMPLETE DESIGNATION, PREFIX WITH UNIT NUMBER AND SUB-ASSEMBLY DESIGNATION (S) AS APPLICABLE

LAST SYMBOL	MISSING SYMBOL
C3	
CR6	
R9	

I	RTTD-4	A4602
QTY / UNIT	MODEL USED ON	ASS'Y NO.
APPLICATION		
	CODE	
<p><b>NOTICE TO PERSONS RECEIVING THIS DRAWING</b>          THE TECHNICAL MATERIEL CORPORATION claims proprietary right in the material disclosed hereon. This drawing is issued in confidence for engineering information only and may not be reproduced or used to manufacture anything shown hereon without permission from THE TECHNICAL MATERIEL CORPORATION to the user. This drawing is loaned for mutual assistance and is subject to recall at any time.</p>		

UNLESS OTHERWISE SPECIFIED DIMENSIONS ARE IN INCHES AND INCLUDE CHEMICALLY APPLIED OR PLATED FINISHES

DECIMALS: .X ± .05, .XX ± .01, .XXX ± .005  
 FRACTIONS: 1/64  
 TOLS. ANGLES: 0°-30°

MATERIAL: \_\_\_\_\_  
 FINISH: \_\_\_\_\_

REQ'D	ITEM	PART NUMBER	DESCRIPTION	SYM.
LIST OF MATERIAL				
<p>FINAL APPROVAL: <i>[Signature]</i> DATE: 7-17-69            MECH. DES: <i>[Signature]</i> DATE: 7-17-69            ELECT. DES: <i>[Signature]</i> DATE: 6/19/69            CHECKED: <i>[Signature]</i> DATE: 6/19/69            DRAWN: <i>[Signature]</i> DATE: 6/16/69</p>				
<p>THE TECHNICAL MATERIEL CORP.            MAMARONECK, NEW YORK</p> <p><b>DIAGRAM SCHEMATIC</b>  <b>POWER SUPPLY, -30 VOLTS</b></p>				
SIZE	CODE IDENT. NO.	DWG NO.	ISSUE	
B	82679	CK 1524	Ø	
SCALE	SHEET		OF	