

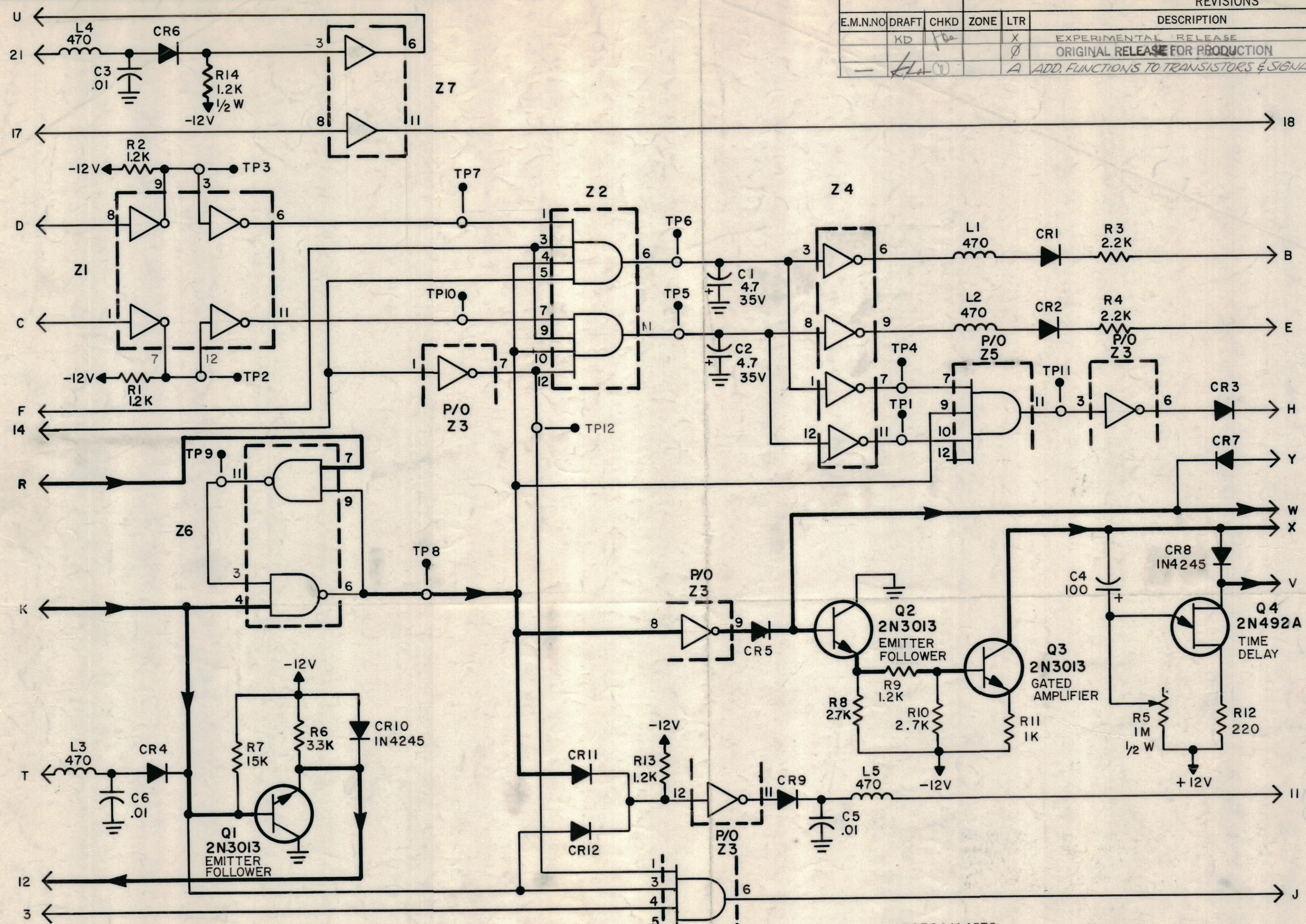
4

3

2

1

REVISIONS							
E.M.N.NO	DRAFT	CHKD	ZONE	LTR	DESCRIPTION	DATE	APPROVED
	KD	Poa		X	EXPERIMENTAL RELEASE	6/23/69	
				Ø	ORIGINAL RELEASE FOR PRODUCTION	8/18/69	
				A	ADD. FUNCTIONS TO TRANSISTORS & SIGNAL FLOW	9/8/70	(VSD)



- UNLESS OTHERWISE SPECIFIED
1. ALL DIODES ARE IN914.
 2. ALL RESISTANCE VALUES ARE IN OHMS, 1/4 W.
 3. ALL CAPACITANCE VALUES ARE IN μ FARADS.
 4. ALL INDUCTANCE VALUES ARE IN μ HENRIES.

MODULE VOLTAGE & GND CHART			
SYMBOL	+12V	-12V	GND
Z1, 4, 3	10		5
Z2, 5		2	
Z6	10	2	5
Z7		2	5

LAST SYMBOL	MISSING SYMBOL
C6	
CR12	
L5	
Q4	
R14	
TPI2	
Z7	

NOTE:
PARTIAL REFERENCE DESIGNATIONS SHOWN,
FOR COMPLETE DESIGNATIONS PREFIX WITH
UNIT NUMBER AND SUB-ASSEMBLY
DESIGNATION(S) AS APPLICABLE.

QTY / UNIT	MODEL USED ON	ASS'Y NO.
	RTTD-4,5,5A	A4572
APPLICATION		
	CODE	

NOTICE TO PERSONS RECEIVING THIS DRAWING
THE TECHNICAL MATERIEL CORPORATION claims proprietary right in the material disclosed hereon.
This drawing is issued in confidence for engineering information only and may not be reproduced or used
to manufacture anything shown hereon without permission from THE TECHNICAL MATERIEL CORPORATION
to the user. This drawing is loaned for mutual assistance and is subject to recall at any time.

PC364/A4572				
QTY. REQ.	ITEM	PART NO.	DESCRIPTION	SYMBOL
LIST OF MATERIAL				
UNLESS OTHERWISE SPECIFIED DIMENSIONS ARE IN INCHES AND INCLUDE CHEMICALLY APPLIED OR PLATED FINISHES				
FINAL APPROVAL		DATE		THE TECHNICAL MATERIEL CORP. MAMARONECK, NEW YORK DIAGRAM SCHEMATIC LEDEX GATING CIRCUIT
MECH. DES.		DATE		
ELECT. DES.		DATE		
CHECKED		DATE		
DRAWN		DATE		CK 1523 A
MATERIAL		DATE		
FINISH		DATE		
SIZE		CODE IDENT NO.	DWG NO.	ISSUE
C		82679	CK 1523	A
SCALE NONE		SHEET		OF

4

3

2

1

CK 1523 A B

A