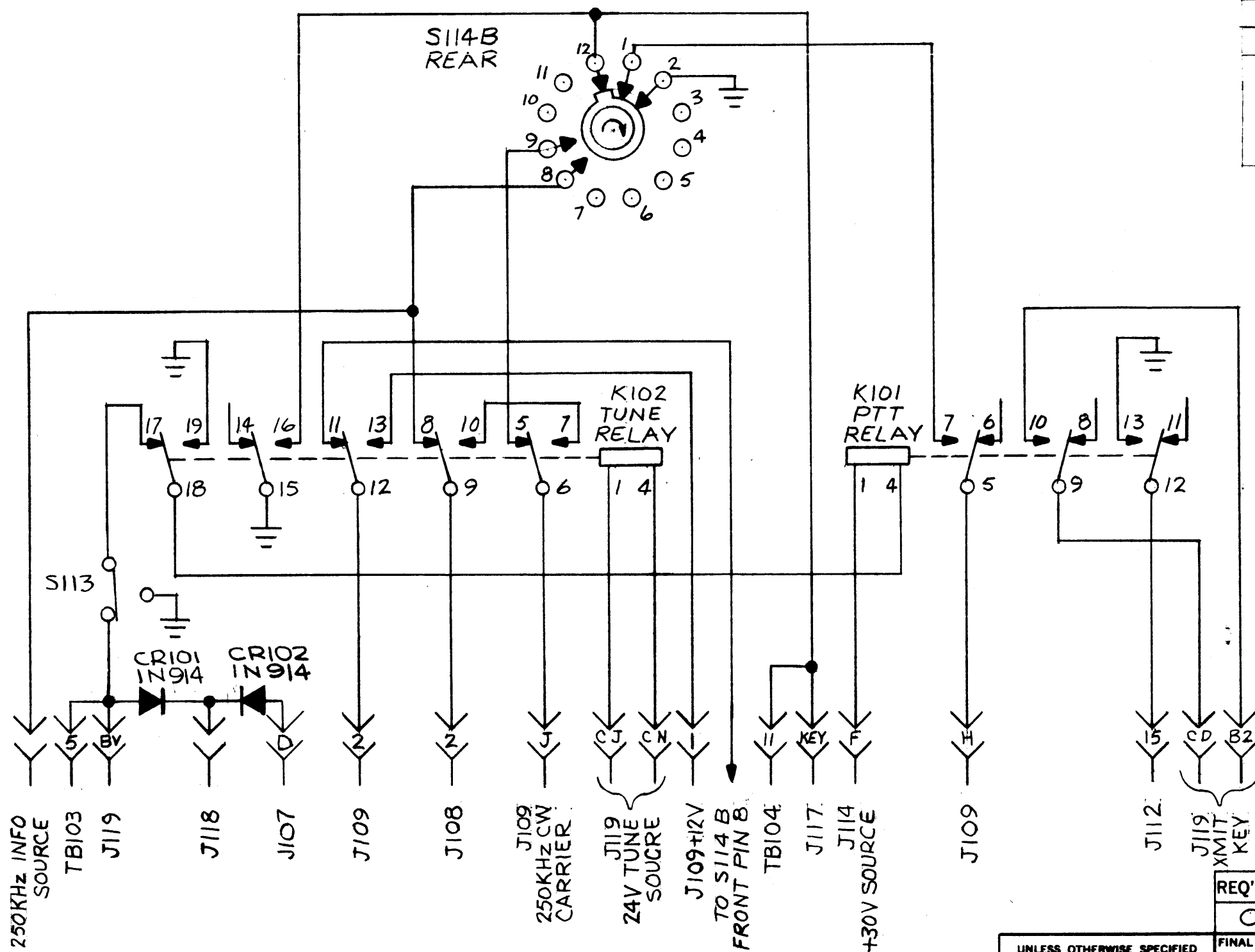


REVISIONS

ZONE	LTR	DESCRIPTION	DATE	E.M.N.NO	DRAFT	CHKD	APPD
	X	EXP. RELEASE	6.11.68			H.G.	
	B	ORIG. RELEASE FOR PROD.	6.21.68			RG	
	A	CHG. MLD TO MMX () 2	1/5/71	20186		GE	

LAST SYMBOL	MISSING SYMBOL
CR102	
K102	
S114	



REQ'D	ITEM	PART NUMBER	DESCRIPTION	SYM.
	O. POSE LIST OF MATERIAL			

1	MMX () 2	
QTY / UNIT	MODEL USED ON	ASS'Y NO.
APPLICATION		
	CODE	

NOTICE TO PERSONS RECEIVING THIS DRAWING
 THE TECHNICAL MATERIEL CORPORATION claims proprietary right in the material disclosed hereon. This drawing is issued in confidence for engineering information only and may not be reproduced or used to manufacture anything shown hereon without permission from THE TECHNICAL MATERIEL CORPORATION to the user. This drawing is loaned for mutual assistance and is subject to recall at any time.

UNLESS OTHERWISE SPECIFIED DIMENSIONS ARE IN INCHES AND INCLUDE CHEMICALLY APPLIED OR PLATED FINISHES		FINAL APPROVAL	DATE
DECIMALS	FRACTIONS	MECH. DES.	DATE
.X ± .05	1/64	ELECT. DES.	DATE
.XX ± .01	TOLS. ANGLES	CHECKED	DATE
.XXX ± .005	0° - 30°	DRAWN	DATE
MATERIAL			
FINISH			

THE TECHNICAL MATERIEL CORP. MAMARONECK, NEW YORK			
DIAGRAM SCHEMATIC (KEYING CKT)			
SIZE	CODE IDENT. NO.	DWG NO.	ISSUE
B	82679	CK1520	A
SCALE	SHEET		OF