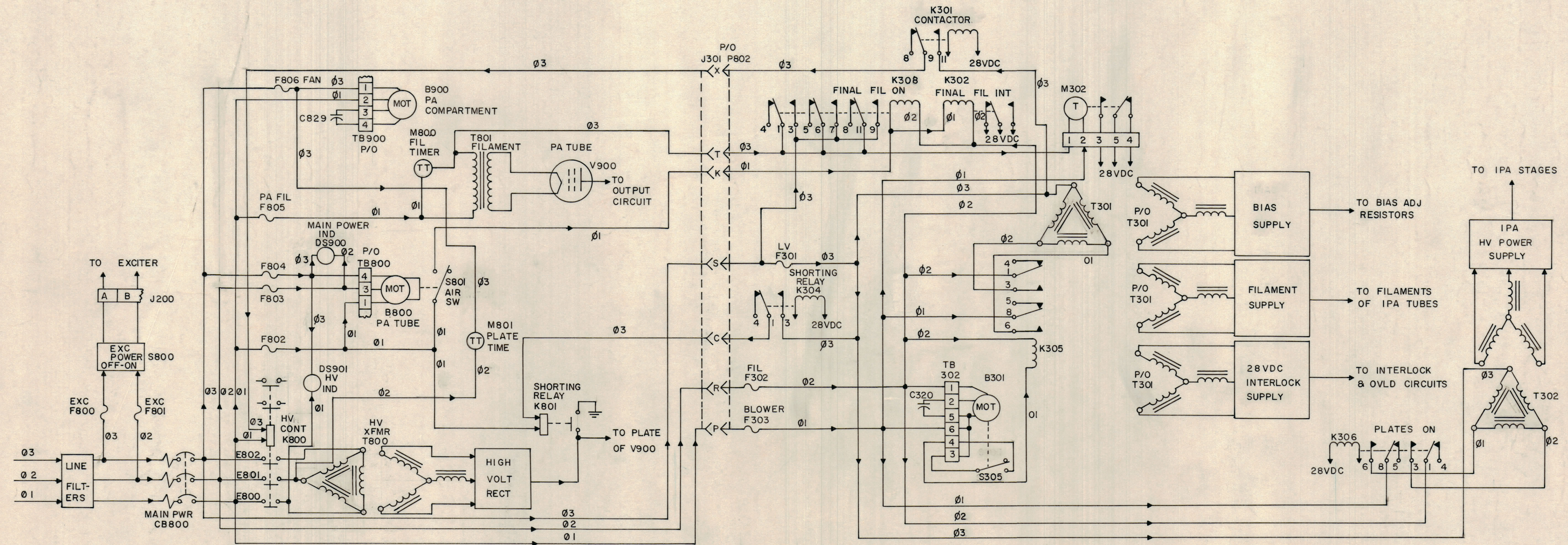


ZONE		LTR		DESCRIPTION		DATE		E.M.N.NO		DRAFT		CHKD		APPD	
		0		ORIG. RELEASE FOR PROD.		5-15-68		R.S.							



1021A-9

QTY. REQ.	ITEM	PART NO.	DESCRIPTION	SYMBOL
LIST OF MATERIAL				
THE TECHNICAL MATERIEL CORP. MAMARONECK, NEW YORK				
SIMPLIFIED SCHEMATIC BCT-10KA PRIMARY AC CIRCUIT				
QTY / UNIT		MODEL USED ON	ASS'Y NO.	
APPLICATION				
CODE				
NOTICE TO PERSONS RECEIVING THIS DRAWING				
<small>THE TECHNICAL MATERIEL CORPORATION claims proprietary right in the material disclosed hereon. This drawing is issued in confidence for engineering information only and may not be reproduced or used to manufacture anything shown hereon without permission from THE TECHNICAL MATERIEL CORPORATION to the user. This drawing is loaned for mutual assistance and is subject to recall at any time.</small>				
MATERIAL		SIZE CODE IDENT. NO. DWG. NO.		ISSUE
FINISH		D 82679 CK1500		0
SCALE				SHEET OF