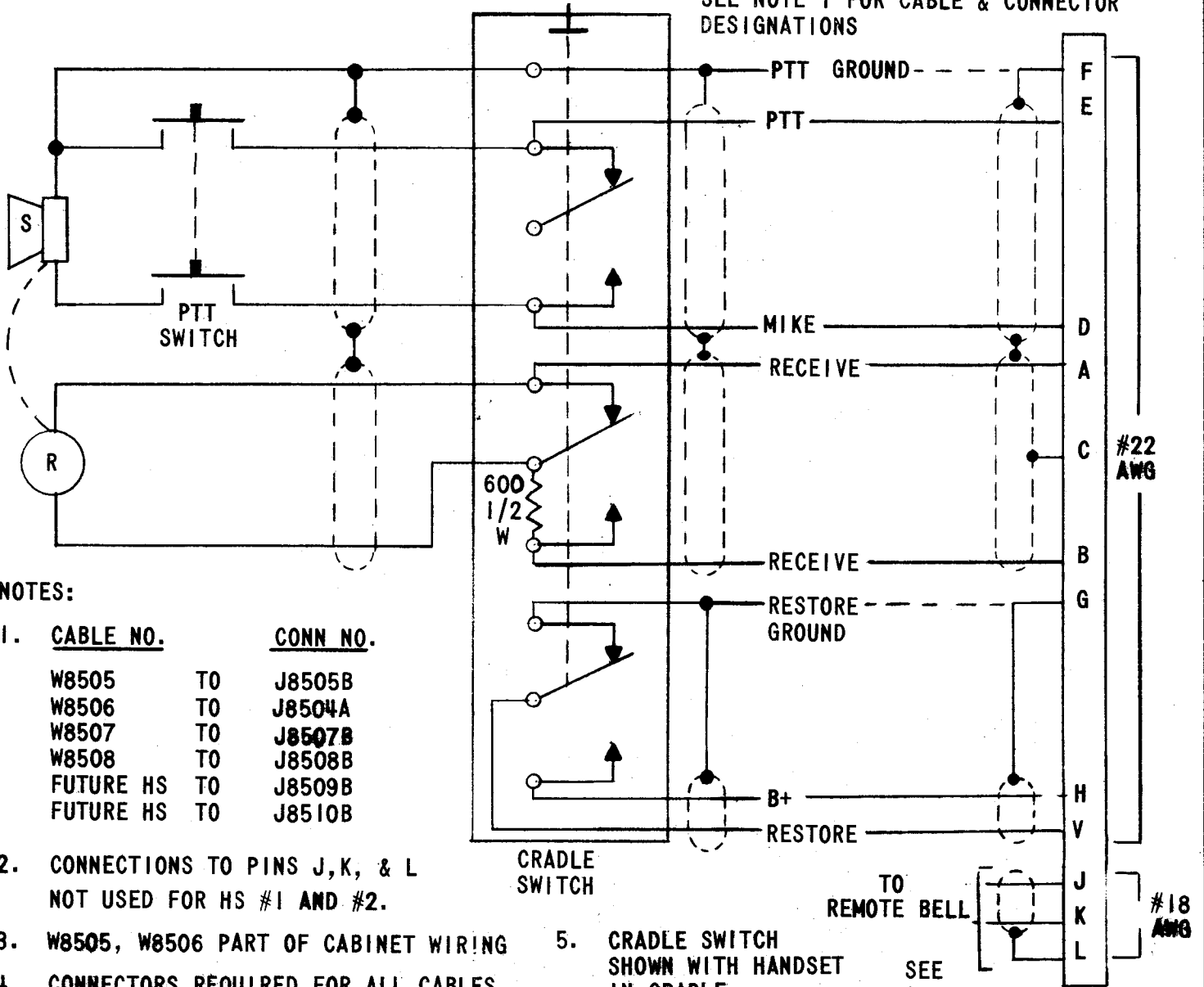


APPLICATION			REVISIONS							
QTY	MODEL USED ON	ASS'Y NO.	LTR	DESCRIPTION	DATE	E.M.N.NO	DRAFT	CHKD	APPD	
1	RAK-15-GB		X	EXPERIMENTAL RELEASE	11-1-67	-				
			Ø	ORIGINAL RELEASE	11-6-67					
			A	COMPLETELY REV.	2.7.68	18759				
			B	NOTE 5 ADDED	11/1/68	19096				

SEE NOTE 1 FOR CABLE & CONNECTOR DESIGNATIONS



NOTES:

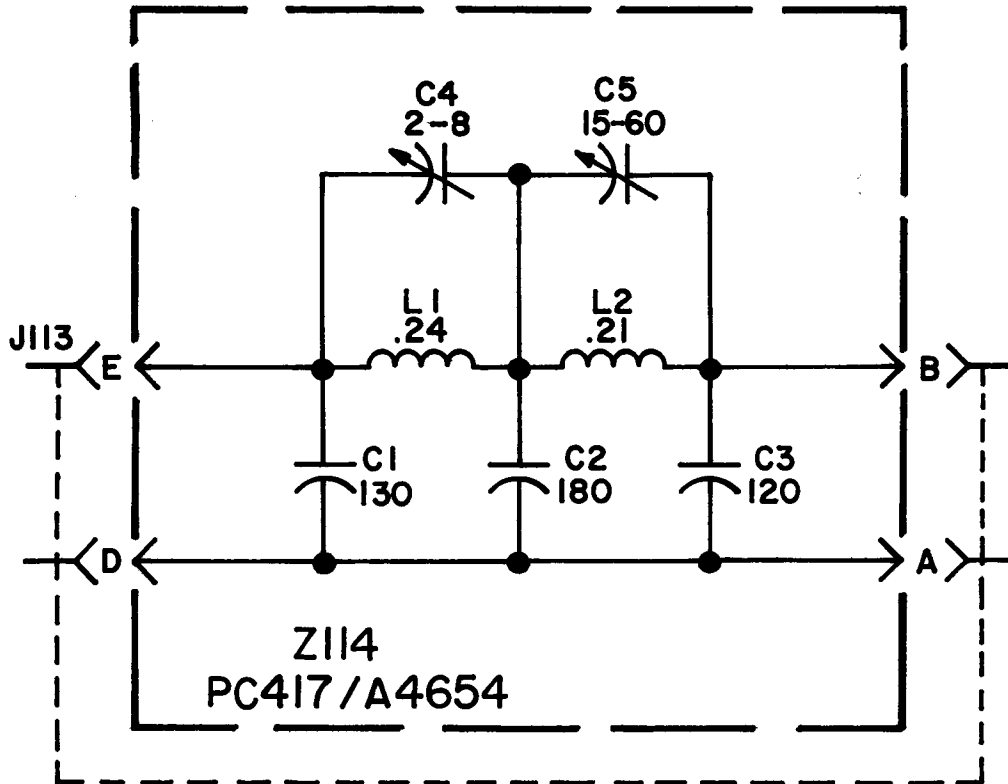
- | | | |
|------------------|----|-----------------|
| <u>CABLE NO.</u> | | <u>CONN NO.</u> |
| W8505 | TO | J8505B |
| W8506 | TO | J8504A |
| W8507 | TO | J8507B |
| W8508 | TO | J8508B |
| FUTURE HS | TO | J8509B |
| FUTURE HS | TO | J8510B |
- CONNECTIONS TO PINS J, K, & L NOT USED FOR HS #1 AND #2.
- W8505, W8506 PART OF CABINET WIRING
- CONNECTORS REQUIRED FOR ALL CABLES EXCEPT W8506 MS3106B32-13P

5. CRADLE SWITCH SHOWN WITH HANDSET IN CRADLE.

SEE NOTE 2

UNLESS OTHERWISE SPECIFIED DIMENSIONS ARE IN INCHES AND INCLUDE CHEMICALLY APPLIED OR PLATED FINISHES	REQ'D	ITEM	PART NUMBER	DESCRIPTION	SYM.
DECIMALS: X ± .05, .XX ± .01, .XXX ± .005 FRACTIONS: 1/64, ANGLES: 0°-30° TOLS.				LIST OF MATERIAL	
MATERIAL				THE TECHNICAL MATERIEL CORP. MAMARONECK, NEW YORK	
FINISH				DIAGRAM, SCHEMATIC HANDSET & CRADLE SWITCH	
				SIZE A	ISSUE B
				CODE IDENT. NO. 82679	DWG NO. CK 1424
				SCALE M/L	SHEET OF
NOTICE TO PERSONS RECEIVING THIS DRAWING THE TECHNICAL MATERIEL CORPORATION claims proprietary right in the material disclosed hereon. This drawing is issued in confidence for engineering information only and may not be reproduced or used to manufacture anything shown hereon without permission from THE TECHNICAL MATERIEL CORPORATION to the user. This drawing is loaned for mutual assistance and is subject to recall at any time.					

APPLICATION			REVISIONS							
QTY	MODEL USED ON	ASS'Y NO.	LTR	DESCRIPTION	DATE	E.M.N.NO	DRAFT	CHKD	APPD	
1	MMX-()	A4654	X	EXPER. RELEASE	11-17-67		HLA			
1	CHG-()4	A4654		ORIGINAL RELEASE	11/22/67					
			A	Z114 - WAS Z113-1	12/6/67	18648	Eng			
			B	MODEL CHG-()4 ADDED	12-20-67	18676	G.D.L			



NOTE:

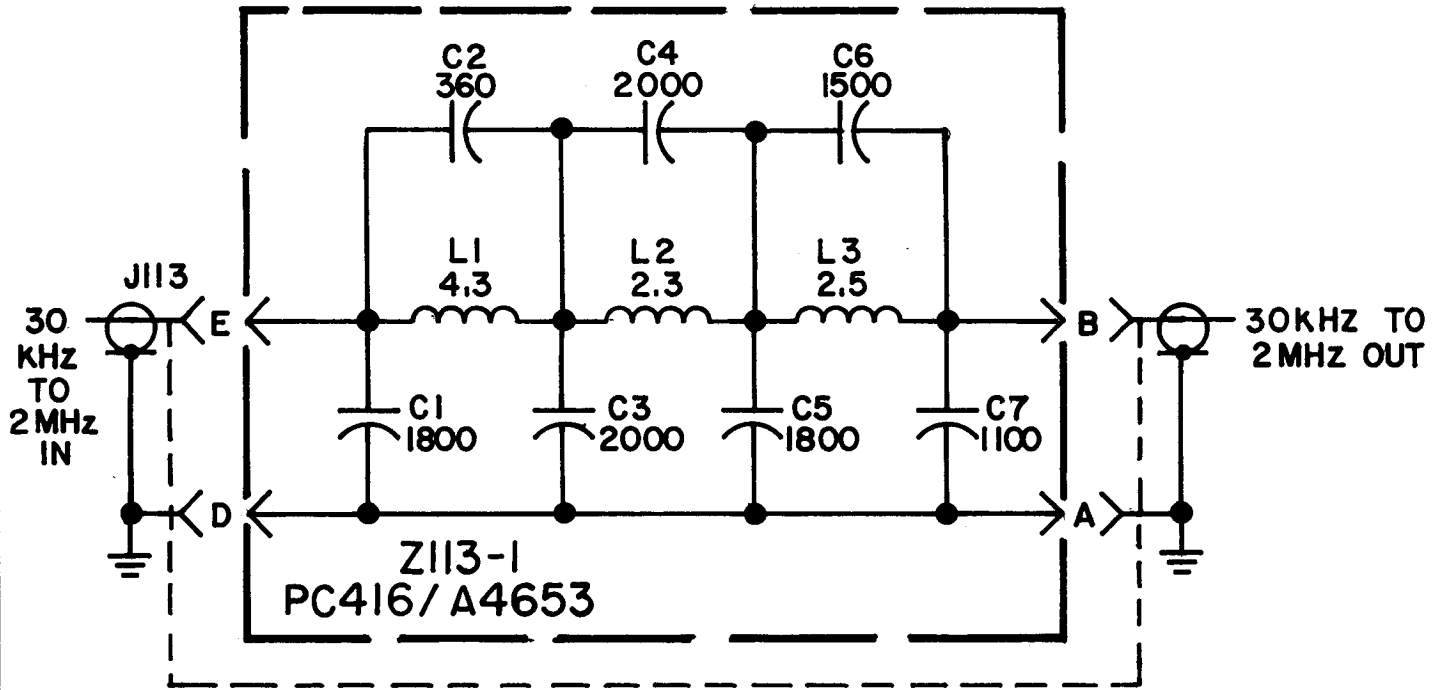
ALL CAPACITANCE VALUES ARE IN PICO FARADS.
 INDUCTANCE VALUES ARE IN MICROHENRIES.

LAST SYMBOLS

C5
 L2

UNLESS OTHERWISE SPECIFIED DIMENSIONS ARE IN INCHES AND INCLUDE CHEMICALLY APPLIED OR PLATED FINISHES	REQ'D	ITEM	PART NUMBER	DESCRIPTION	SYM.
	O-POSE LIST OF MATERIAL				
DECIMALS .X ± .05 .XX ± .01 .XXX ± .005	FRACTIONS 1/64 ANGLES 0°-30'		THE TECHNICAL MATERIEL CORP. MAMARONECK, NEW YORK		
MATERIAL	FINAL APPROVAL	DATE	DIAGRAM, SCHEMATIC OUTPUT FILTER		
FINISH	MECH. DES.	DATE	SIZE A CODE IDENT. NO. 82679 DWG NO. CKI449 ISSUE B		
	ELECT. DES.	DATE	SCALE		
	CHECKED	DATE	M/L Allen 11/22/67 SHEET OF		
	DRAWN	DATE			
DRAWN H. AUSTIN 11-17-67					
<p>NOTICE TO PERSONS RECEIVING THIS DRAWING</p> <p>THE TECHNICAL MATERIEL CORPORATION claims proprietary right in the material disclosed hereon. This drawing is issued in confidence for engineering information only and may not be reproduced or used to manufacture anything shown hereon without permission from THE TECHNICAL MATERIEL CORPORATION to the user. This drawing is loaned for mutual assistance and is subject to recall at any time.</p>					

APPLICATION			REVISIONS							
QTY	MODEL USED ON	ASS'Y NO.	LTR	DESCRIPTION	DATE	E.M.N.NO	DRAFT	CHKD	APPD	
1	LFE-1	A4653	X	EXPER. RELEASE	11-22-67	-		HLL		
			B	ORIG RELEASE FOR PROD.	11-28-67	B		RG		
			A	CHG. SYMBOL SERIES TO 1400	324-71	20287		RF		



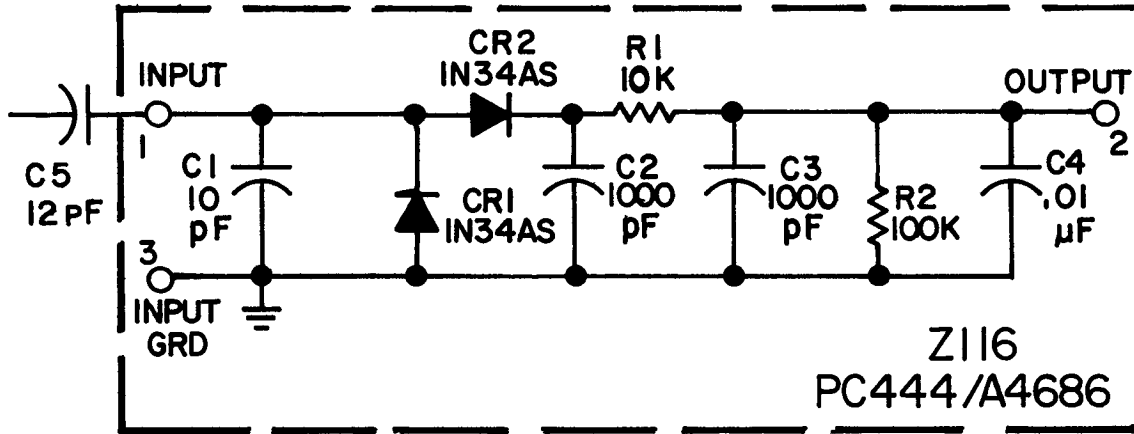
NOTE:

ALL CAPACITANCE VALUES ARE IN PICOFARADS.
 ALL INDUCTANCE VALUES ARE IN MICROHENRIES.

C7
L3

UNLESS OTHERWISE SPECIFIED DIMENSIONS ARE IN INCHES AND INCLUDE CHEMICALLY APPLIED OR PLATED FINISHES	REQ'D	ITEM	PART NUMBER	DESCRIPTION	SYM.
	O-POSE		LIST OF MATERIAL		
DECIMALS .X ± .05 .XX ± .01 .XXX ± .005 FRACTIONS 1/64 ANGLES 0°-30°	FINAL APPROVAL <i>[Signature]</i> MECH. DES.		DATE 11-28-67	THE TECHNICAL MATERIEL CORP. MAMARONECK, NEW YORK	
MATERIAL	ELECT. DES. <i>[Signature]</i>		DATE 11-28-67	DIAGRAM, SCHEMATIC OUTPUT FILTER	
FINISH	CHECKED <i>[Signature]</i>		DATE 11-28-67		
	DRAWN H. AUSTIN		DATE 11-22-67		
NOTICE TO PERSONS RECEIVING THIS DRAWING THE TECHNICAL MATERIEL CORPORATION claims proprietary right in the material disclosed hereon. This drawing is issued in confidence for engineering information only and may not be reproduced or used to manufacture anything shown hereon without permission from THE TECHNICAL MATERIEL CORPORATION to the user. This drawing is loaned for mutual assistance and is subject to recall at any time.				SIZE A	CODE IDENT. NO. 82679
				DWG NO. CK 1451	ISSUE A
SCALE			M/L	SHEET	OF

APPLICATION			REVISIONS							
QTY	MODEL USED ON	ASS'Y NO.	LTR	DESCRIPTION	DATE	E.M.N.NO	DRAFT	CHKD	APPD	
1	CHG-(1)-4	A4686	X	EXPERIMENTAL RELEASE	12-15-67	-	HLD			
			Ø	ORIG. RELEASE FOR PROD.	12-29-67		R.G.			
			A	ADDED C5,	2.27.68	18778	HG.			



SYMBOL SERIES 100

NOTE: RESISTORS ARE 1/4 WATT.

LAST SYMBOLS
C5
CR2
R2

UNLESS OTHERWISE SPECIFIED DIMENSIONS ARE IN INCHES AND INCLUDE CHEMICALLY APPLIED OR PLATED FINISHES		REQ'D	ITEM	PART NUMBER	DESCRIPTION	SYM.
DECIMALS: .X ± .05, .XX ± .01, .XXX ± .005 FRACTIONS: 1/64, ANGLES: 0°-30'		O. POSE LIST OF MATERIAL				
MATERIAL FINISH		FINAL APPROVAL <i>[Signature]</i> MECH. DES. ELECT. DES. CHECKED DRAWN		DATE 12-30-67 DATE 12-29-67 DATE 12-29-67 DATE 12-15-67		THE TECHNICAL MATERIEL CORP. MAMARONECK, NEW YORK DIAGRAM, SCHEMATIC SENSING CIRCUIT
NOTICE TO PERSONS RECEIVING THIS DRAWING THE TECHNICAL MATERIEL CORPORATION claims proprietary right in the material disclosed hereon. This drawing is issued in confidence for engineering information only and may not be reproduced or used to manufacture anything shown hereon without permission from THE TECHNICAL MATERIEL CORPORATION to the user. This drawing is loaned for mutual assistance and is subject to recall at any time.		SIZE	CODE IDENT. NO.	DWG NO.	ISSUE	
		A	82679	CK1463	A	
		SCALE	SHEET		OF	