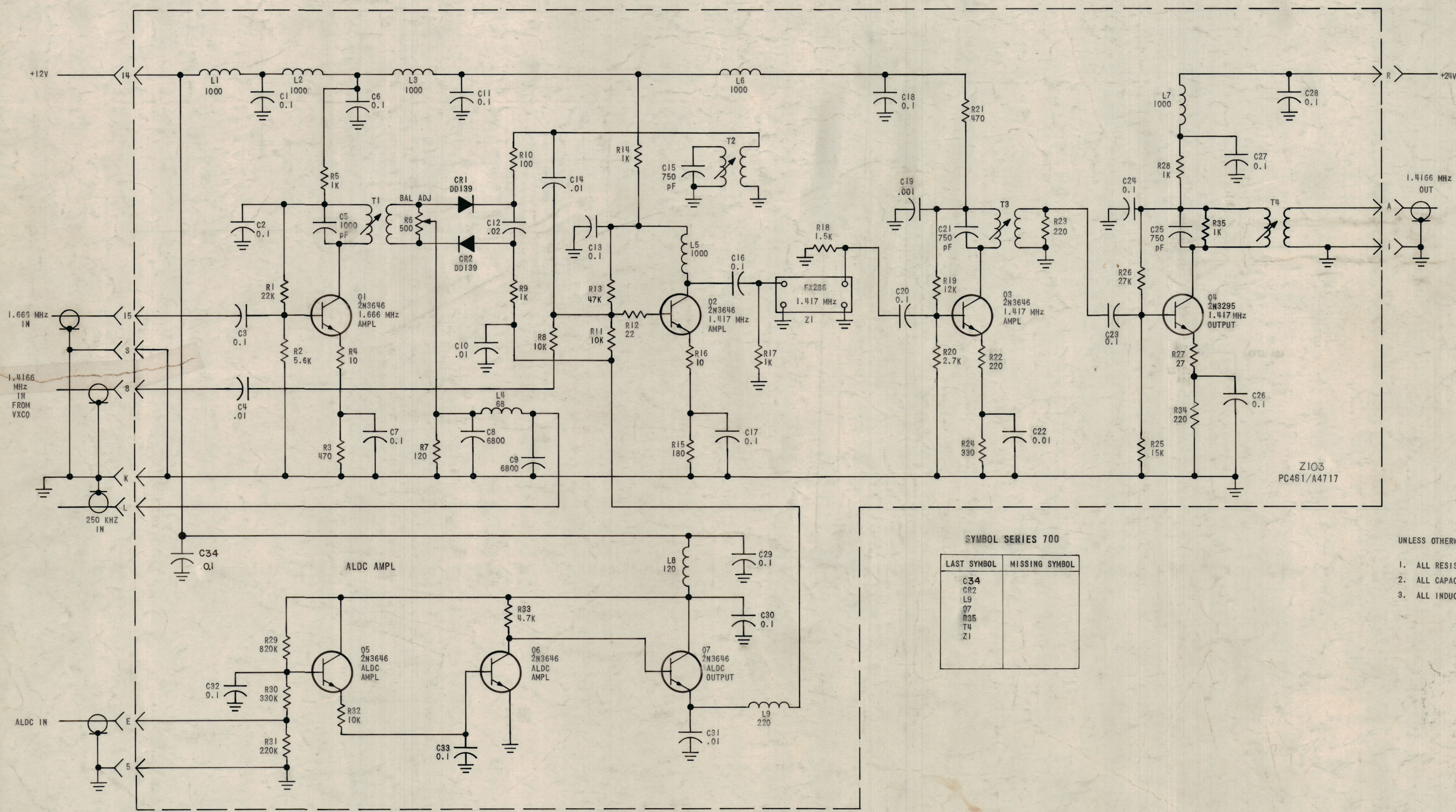


		REVISIONS					
ZONE	LTR	DESCRIPTION	DATE	E.M.N.NO	DRAFT	CHKD	APPD
	X	EXPERIMENTAL RELEASE	5/29/68		C.V.		
	X1	REV. & UPDATED	9-30-68		H.S.		
	Ø	ORIG. RELEASE FOR PROD	10-3-68		H.S.		
	A	REVISED & UPDATED	2/17/69	19307	GE	AD	EP
	B	REVISED & UPDATED	8-11-69	19523	GE	AD	EP
	C	Z103 WAS Z104	1-14-70	20519	GE	CG	EP
	D	ADD C34 O.I. ADD TO LAST SYM. CHG	10/21/72	20911	GE	CG	EP



Z103
PC461/A4717

SYMBOL SERIES 700

LAST SYMBOL	MISSING SYMBOL
C34	
CR2	
L9	
Ø7	
R35	
T4	
Z1	

- UNLESS OTHERWISE SPECIFIED:
1. ALL RESISTANCE VALUES ARE IN OHMS, 1/4W.
 2. ALL CAPACITANCE VALUES ARE IN MICROFARADS.
 3. ALL INDUCTANCE VALUES ARE IN MICROHENRIES.

QTY. REQ.	ITEM	PART NO.	DESCRIPTION	SYMBOL
LIST OF MATERIAL				
THE TECHNICAL MATERIEL CORP. MAMARONECK, NEW YORK				
DIAGRAM, SCHEMATIC CONVERTER & ALDC				
QTY.	ITEM	PART NO.	DESCRIPTION	SYMBOL
1	MFE-1	A4717		
1	SME-6	A4717		
QTY / UNIT	MODEL USED ON	ASS'Y NO.		
APPLICATION				
CODE				
MATERIAL				
FINISH				
SIZE	CODE IDENT. NO.	DWG NO.	ISSUE	
D	82679		CK 1495	D
SCALE			SHEET	OF

UNLESS OTHERWISE SPECIFIED DIMENSIONS ARE IN INCHES AND INCLUDE CHEMICALLY APPLIED OR PLATED FINISHES

TOLERANCES ON
 DECIMALS .X ± .05
 .XX ± .01
 .XXX ± .005
 FRACTIONS ± 1/64
 ANGLES ± 0° - 30'

NOTICE TO PERSONS RECEIVING THIS DRAWING
 THE TECHNICAL MATERIEL CORPORATION claims proprietary right in the material disclosed hereon. This drawing is issued in confidence for engineering information only and may not be reproduced or used to manufacture anything shown hereon without permission from THE TECHNICAL MATERIEL CORPORATION to the user. This drawing is loaned for mutual assistance and is subject to recall at any time.

CK 1495

A